

INSERT LABEL FOR ILLUMINATED PUSHBUTTON, ROUND, MILKY WITH BLACK LETTERING, WITH INSCRIPTION: TEST



Figure similar

Product brand name	SIRIUS ACT
Product designation	Insert label
Product type designation	3SU1



General technical data

Shock resistance	Category 1, Class B
<ul style="list-style-type: none"> for railway applications acc. to DIN EN 61373 	
Vibration resistance	Category 1, Class B
<ul style="list-style-type: none"> for railway applications acc. to DIN EN 61373 	

Accessories

Material of accessory	Plastic
Mounting type of label	insert
Marking of inscription plate	Test
Shape of inscription plate	Round
Color of inscription plate	milky/black (label/lettering)

Certificates/approvals

General Product Approval			Declaration of Conformity	Test Certificates	
 CSA	 UL		 EG-Konf.	Declaration of the Compliance with the order	Special Test Certificate

other

[Confirmation](#)

Further information

Information- and Downloadcenter (Catalogs, Brochures,...)

<http://www.siemens.com/industrial-controls/catalogs>

Industry Mall (Online ordering system)

<https://mall.industry.siemens.com/mall/en/en/Catalog/product?mlfb=3SU1900-0AB71-0DV0>

Cax online generator

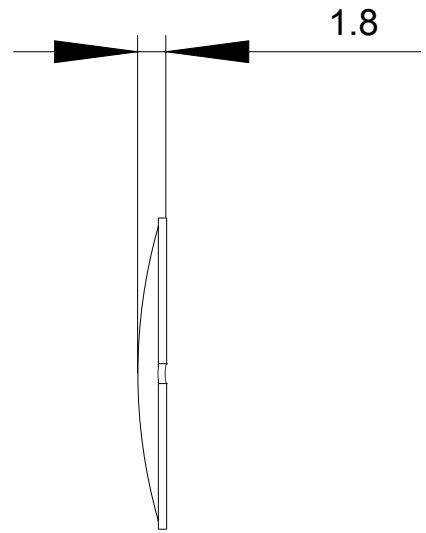
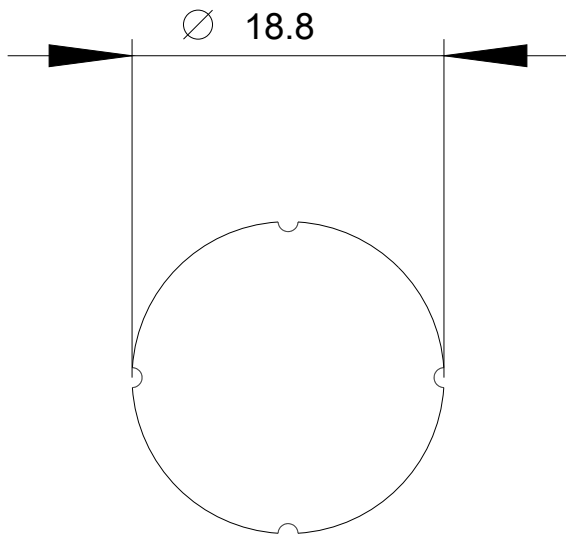
<http://support.automation.siemens.com/WW/CAXorder/default.aspx?lang=en&mlfb=3SU1900-0AB71-0DV0>

Service&Support (Manuals, Certificates, Characteristics, FAQs,...)

<https://support.industry.siemens.com/cs/ww/en/ps/3SU1900-0AB71-0DV0>

Image database (product images, 2D dimension drawings, 3D models, device circuit diagrams, EPLAN macros, ...)

http://www.automation.siemens.com/bilddb/cax_de.aspx?mlfb=3SU1900-0AB71-0DV0&lang=en



last modified:

07/10/2017