

SELECTOR SWITCH, CAN BE ILLUM., 30MM, ROUND, METAL, MATT, WHITE, LONG SELECTOR SWITCH, FRONT RING FOR FLAT INSTALL., 3 SWITCH POSITIONS I>O<II, MOMENTARY CONTACT TYPE, ACTUATING ANGLE 2X45 DEG., 10:30H/12H/13:30H



Figure similar

| | |
|--------------------------|-------------------|
| Product brand name | SIRIUS ACT |
| Product designation | Selector switches |
| Product type designation | 3SU1 |

| Enclosure | |
|--------------------------|---|
| Number of command points | 1 |

| Actuator | |
|---|---|
| Design of the operating mechanism | Selector switch, short black handle and front ring for flush installation |
| Manner of function of the actuating element | momentary contact type, 2x45° (10:30h/12h/13:30h), retraction on both sides |
| Product extension optional Light source | Yes |
| Color of the actuating element | White |
| Material of the actuating element | plastic |
| Shape of the actuating element | Handle |
| Outer diameter of the actuating element | 44.8 mm |
| Number of switching positions | 3 |
| Actuating angle | |

- clockwise
- anticlockwise

45°

45°

Front ring

| | |
|------------------------------|-------------|
| Product component front ring | Yes |
| Design of the front ring | Flat |
| Material of the front ring | Metal, matt |
| Color of the front ring | sand gray |

General technical data

| | |
|--|---|
| Protection class IP | IP66, IP67, IP69(IP69K) |
| Degree of protection NEMA rating | NEMA 1, 2, 3, 3R, 4, 4X, 12 |
| Shock resistance | <ul style="list-style-type: none"> • acc. to IEC 60068-2-27 • for railway applications acc. to DIN EN 61373 |
| | Sinusoidal half-wave 50 g / 11 ms Category 1, Class B |
| Vibration resistance | <ul style="list-style-type: none"> • acc. to IEC 60068-2-6 • for railway applications acc. to DIN EN 61373 |
| | 10 ... 500 Hz: 5g Category 1, Class B |
| Operating frequency maximum | 1 800 1/h |
| Mechanical service life (switching cycles) | |
| | <ul style="list-style-type: none"> • typical |
| | 300 000 |
| Equipment marking | |
| | <ul style="list-style-type: none"> • acc. to DIN EN 61346-2 • acc. to DIN EN 81346-2 |
| | S S |

Safety related data

| | |
|--|---|
| B10 value | |
| | <ul style="list-style-type: none"> • with high demand rate acc. to SN 31920 |
| | 300 000 |
| Proportion of dangerous failures | |
| | <ul style="list-style-type: none"> • with low demand rate acc. to SN 31920 • with high demand rate acc. to SN 31920 |
| | 20 % 20 % |
| Failure rate [FIT] | |
| | <ul style="list-style-type: none"> • with low demand rate acc. to SN 31920 |
| | 100 FIT |
| T1 value for proof test interval or service life acc. to IEC 61508 | 20 y |

Ambient conditions

| | |
|---|--|
| Ambient temperature | |
| | <ul style="list-style-type: none"> • during operation • during storage |
| | -25 ... +70 °C -40 ... +80 °C |
| Environmental category during operation acc. to IEC 60721 | 3M6, 3S2, 3B2, 3C3, 3K6 (with relative air humidity of 10 ... 95 %) |

Installation/ mounting/ dimensions

| | |
|--------|---------|
| Height | 44.8 mm |
| Width | 44.8 mm |

| | |
|---|---------|
| Shape of the installation opening | round |
| Mounting diameter | 30.5 mm |
| Positive tolerance of installation diameter | 0.5 mm |
| Mounting height | 22.1 mm |
| Installation width | 44.8 mm |
| Installation depth | 32.1 mm |

Certificates/approvals

| General Product Approval | Declaration of Conformity | Test Certificates |
|--------------------------|---------------------------|-------------------|
|--------------------------|---------------------------|-------------------|



CSA



UL



EG-Konf.

[Declaration of the Compliance with the order](#)

[Special Test Certificate](#)

other

[Confirmation](#)

Further information

Information- and Downloadcenter (Catalogs, Brochures,...)

<http://www.siemens.com/industrial-controls/catalogs>

Industry Mall (Online ordering system)

<https://mall.industry.siemens.com/mall/en/en/Catalog/product?mlfb=3SU1062-2EM60-0AA0>

Cax online generator

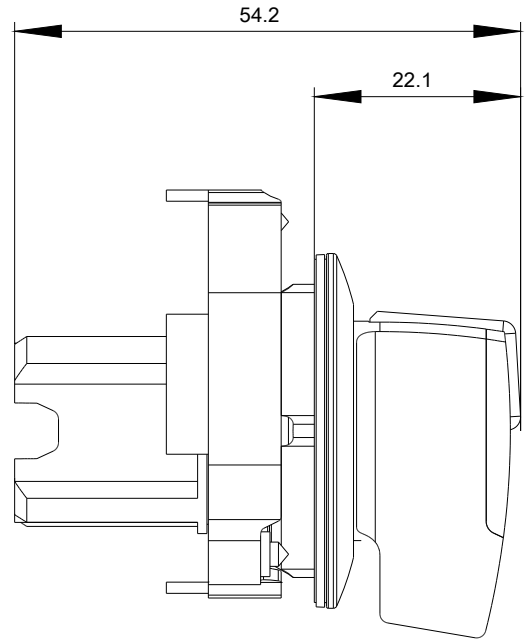
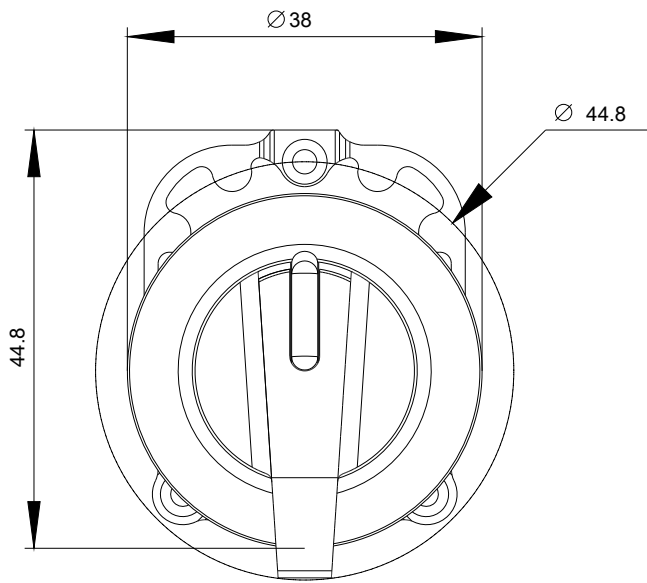
<http://support.automation.siemens.com/WW/CAXorder/default.aspx?lang=en&mlfb=3SU1062-2EM60-0AA0>

Service&Support (Manuals, Certificates, Characteristics, FAQs,...)

<https://support.industry.siemens.com/cs/ww/en/ps/3SU1062-2EM60-0AA0>

Image database (product images, 2D dimension drawings, 3D models, device circuit diagrams, EPLAN macros, ...)

http://www.automation.siemens.com/bilddb/cax_de.aspx?mlfb=3SU1062-2EM60-0AA0&lang=en



last modified:

07/10/2017