



Key-operated actuators, Flat Front, not suitable for master key systems, 2 positions, maintained, MS6

Part no. M30C-FWRS-MS6
Catalog No. 187059
Eaton Catalog No. M30C-FWRS-MS6

Technical data

General

| | | | |
|-----------------------------|--------------|-------------------|--|
| Standards | | | IEC/EN 60947 VDE 0660 |
| Lifespan, mechanical | Operations | x 10 ⁶ | > 0.1 |
| Operating frequency | Operations/h | | ≤ 100 |
| Operating torque | | Nm | ≤ 0.5 |
| Climatic proofing | | | Damp heat, constant, to IEC 60068-2-78 Damp heat, cyclic, to IEC 60068-2-30 |
| Degree of Protection | | | IP64 |
| Ambient temperature | | | |
| Open | | °C | -25 - +70 |
| Mounting position | | | As required |
| Mechanical shock resistance | | g | 15 Shock duration 11 ms Sinusoidal according to IEC 60068-2-27 |

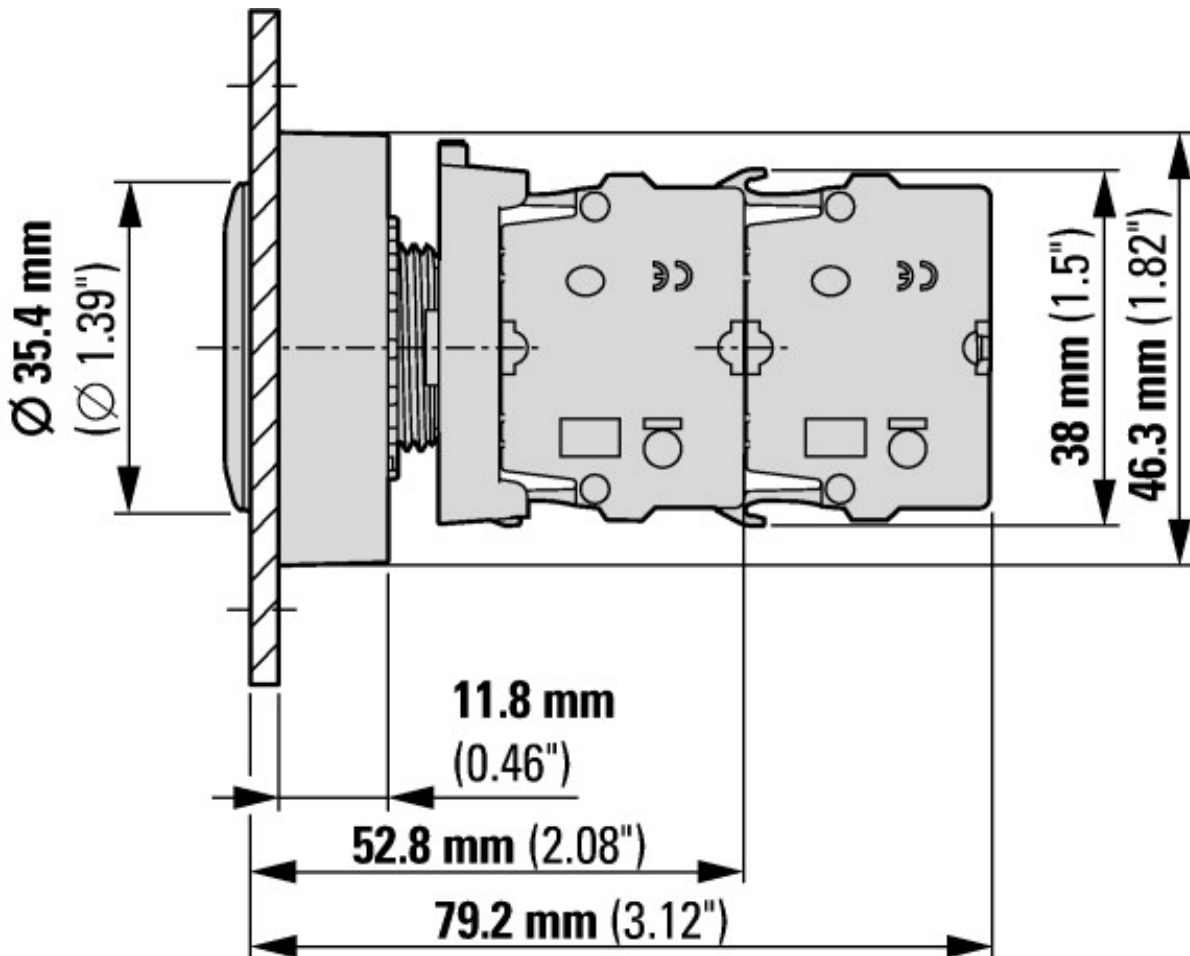
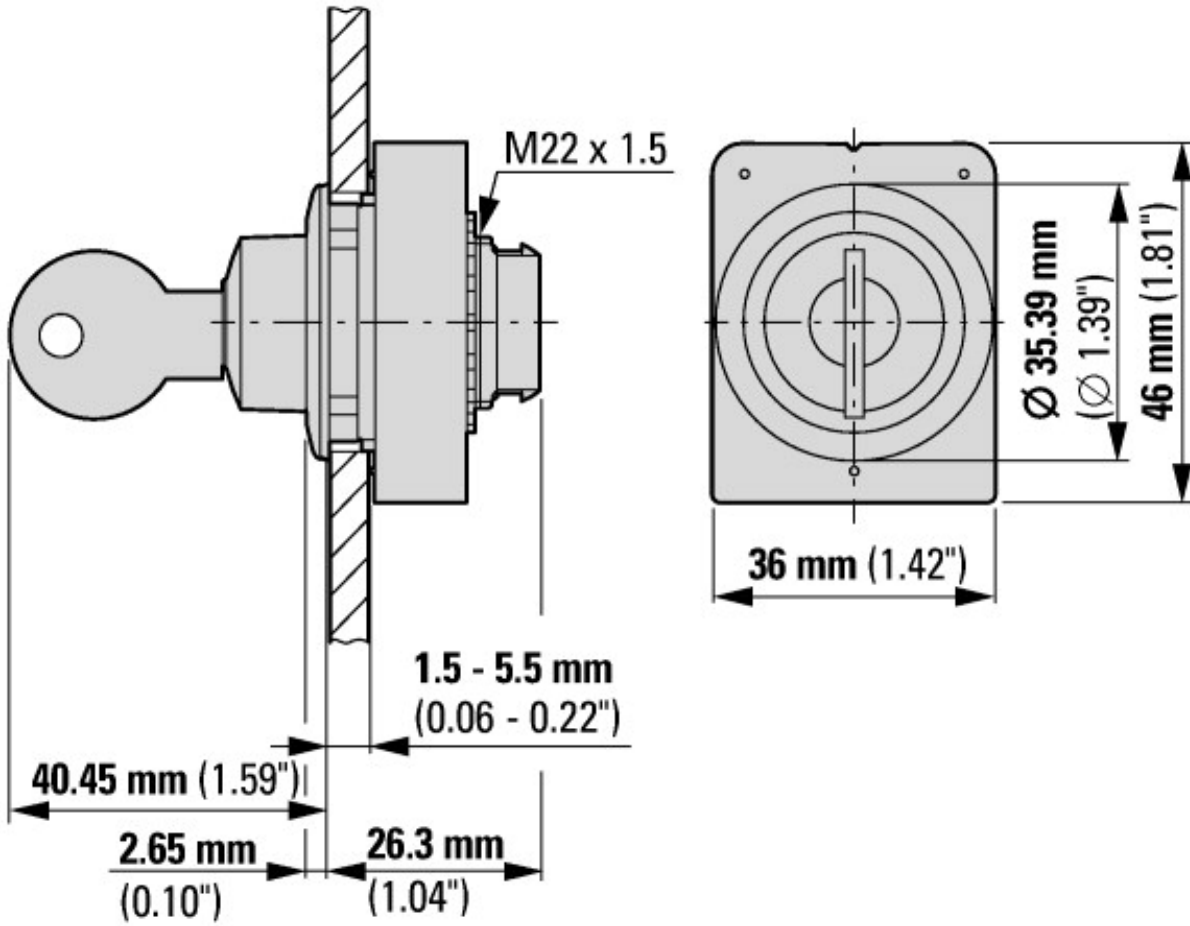
Design verification as per IEC/EN 61439

| | | | |
|--|--|----|-----|
| Technical data for design verification | | | |
| Operating ambient temperature max. | | °C | -25 |
| Operating ambient temperature max. | | °C | 70 |

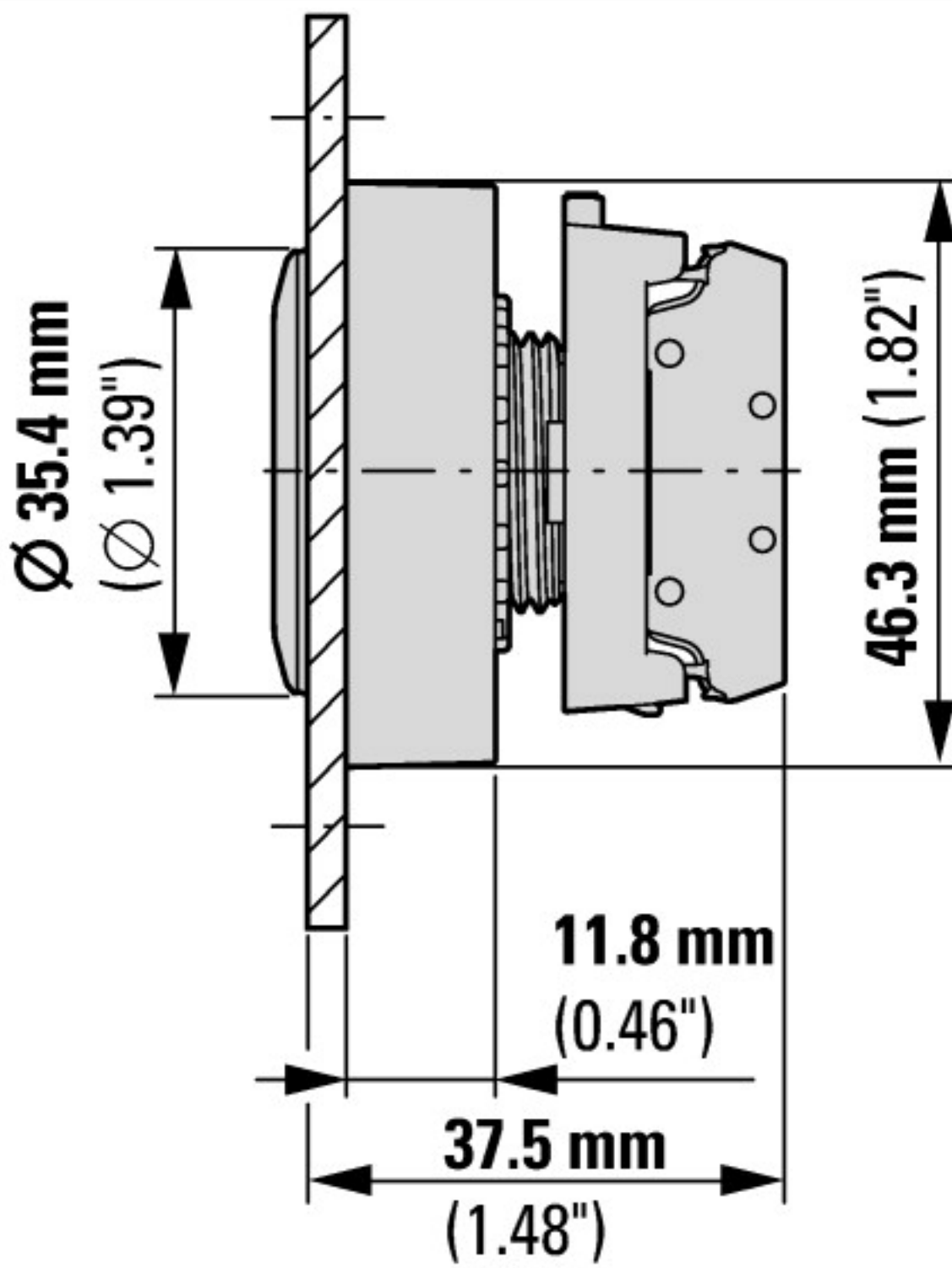
Technical data ETIM 6.0

| | | | |
|--|--|----|----------------|
| Low-voltage industrial components (EG000017) / Front element for selector switch (EC000222) | | | |
| Electric engineering, automation, process control engineering / Low-voltage switch technology / Command and alarm device / Front element for selector switches (ecl@ss8.1-27-37-12-13 [AKF031011]) | | | |
| Number of switch positions | | | 2 |
| Type of control element | | | Key |
| Suitable for illumination | | | No |
| Colour control element | | | Black |
| Colour indicator light cap | | | Not applicable |
| Construction type lens | | | Round |
| Hole diameter | | mm | 30 |
| Width opening | | mm | 0 |
| Height meter opening | | mm | 0 |
| Switching function latching | | | Yes |
| Spring-return | | | No |
| Degree of protection (IP), front side | | | IP66 |
| With front ring | | | Yes |
| Material front ring | | | Metal |
| Colour front ring | | | Chrome |

Dimensions



with 2 M22-K... standard contact elements



with M22-FK... flat rear contact elements

