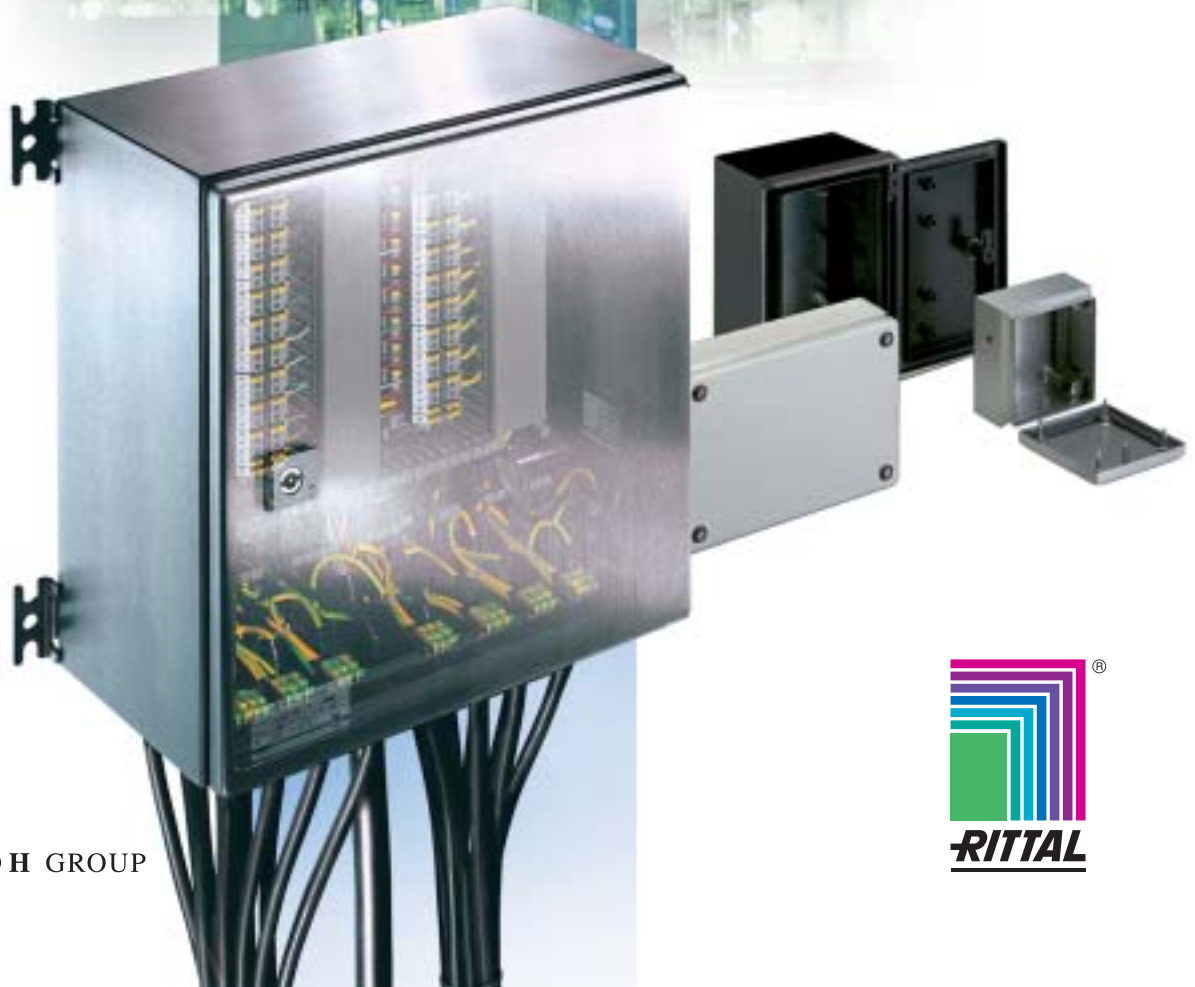




# Ex enclosures to ATEX

Empty stainless steel and plastic enclosures for use in potentially explosive environments.



# Rittal – system partners

## Perfect holistic solutions

The demands placed on Ex enclosures are particularly high. For this reason, Rittal accepts no compromises, and adapts tried and tested enclosure concepts to meet the specific requirements of potentially explosive environments. The result is a series of empty enclosures providing ideal conditions for applications in the chemicals and petrochemicals industries, in the offshore sector and in the foods industry.

### The added value of our integral solutions

Enclosures for every application in numerous sizes and designs.

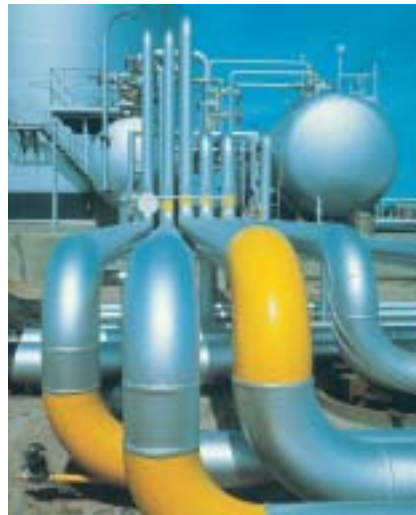
Fast, cost-effective system integration through comprehensive accessories.

High product quality ensuring reliability.

Worldwide availability without delays.

International approvals and certification.

Faster + better + cost-effective: That is the formula for a modular configuration concept and individual Rittal solutions.



### Perfect response to special demands

Worldwide implementation of explosion protection is based essentially on the European standards.

Special approvals for the American market – to Class I, Zone I acc. to NEC – upon request.

Practically all Rittal enclosure systems can also be prepared for pressurisation to EN 50 016 upon request.

Further dimensions and versions upon request, also to meet individual certification requirements.

### Empty enclosures to ATEX satisfy approval criteria to the full

Zone 1 and 2 to EN 50 014 and EN 50 019.

Zone 21 and 22 to EN 50 281.

Partial certification to ATEX 100a (EC Directive 94/9/EC).

Ambient operating temperature:  
Maximum: +80°C  
Minimum: -20°C.

Protection category:  
With IP 56 or IP 66 to EN 60 529, the required level of protection is reliably exceeded.

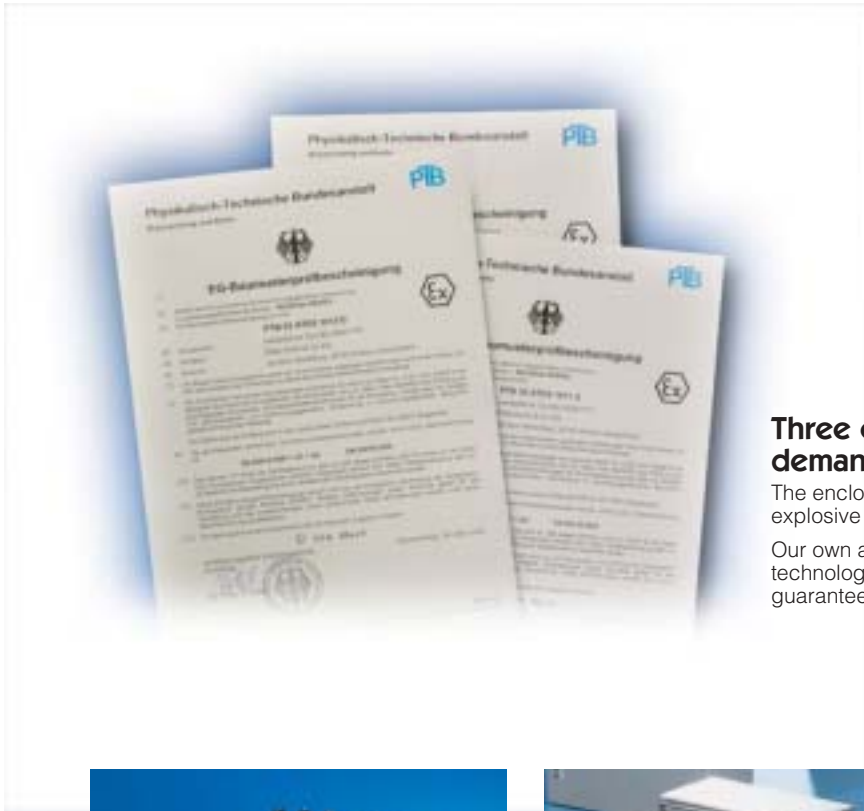
Constantly high quality is guaranteed by production and routine testing procedures with ISO 9001 certification.



Rittal Ex enclosures

Individual Ex accessories

Approval by a test institute



## Three enclosure types to meet differing demands

The enclosures in this brochure are approved for use in potentially explosive atmospheres attributable to gases and/or dusts.

Our own accredited laboratories and the latest manufacturing technologies, paired with comprehensive quality management, guarantee constantly high standards worldwide.



### Stainless steel Ex enclosure with screw fastened lid

**Type Examination Certificate No. PTB 02 ATEX 1013U**

For wall mounting:  
4 blind rivet nuts M8.

To discharge possible static charges:  
Blind rivet nut M8 at side.

For simple attachment of support rails or mounting plates in the enclosure:  
Profile strips with mounting holes on both sides.

PE conductor connection in enclosure and cover.

Captive-mounted cover attachment.



### Stainless steel Ex enclosure with hinged door

**Type Examination Certificate No. PTB 02 ATEX 1082U**

For wall mounting:  
4 blind rivet nuts M8.

To discharge possible static charges:  
Blind rivet nut M8 at side.

Door is simple to remove when open.

Double-bit insert in the cam lock, exchangeable for other lock inserts.

Mounting plate both sides with pitch pattern for easier configuration.

PE conductor connection in enclosure and door.



### Plastic Ex enclosure with hinged door

**Type Examination Certificate No. PTB 02 ATEX 1011U**

For wall mounting:  
4 press-fit screw bushes M8.

Double seal at top and bottom edges of the door through additional integrated rain protection strip.

Enclosure can be rotated to switch door hinging to the other side.

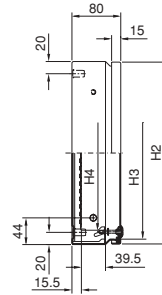
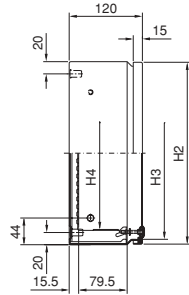
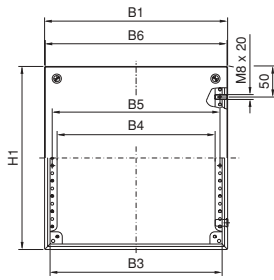
Door opening angle 180°.

Double-bit insert in the lock, exchangeable for other lock inserts.

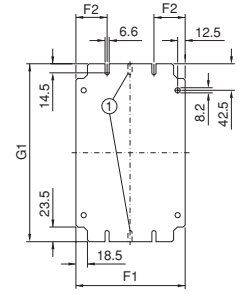
Manufactured in fibre-glass-reinforced, unsaturated polyester with a high graphite content:  
Surface resistance: <math>< 10^9 \text{ Ohm}</math>.



**KEL 9301.000 – KEL 9306.000: with screw fastened lid**

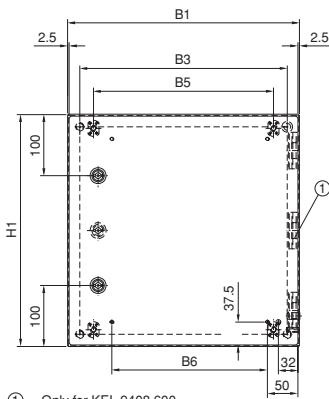


**Mounting plate**

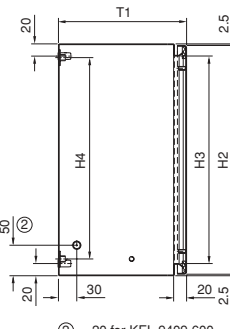


① = only attaching in the centre for 125 mm wide plates

**KEL 9401.600 – KEL 9409.600: with hinged door**

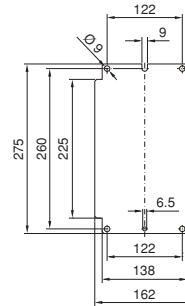


① = Only for KEL 9408.600

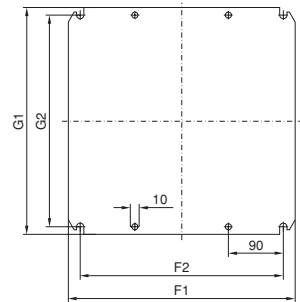


② = 20 for KEL 9409.600

**Mounting plate  
KEL 9401.600**



**Mounting plate  
KEL 9402.600 – KEL 9408.600**



Installation position of the mounting plate is rotated through 90° for KEL 9409.600.

**KEL 9301.000 – KEL 9306.000: with screw fastened lid**

B1 Width mm	H1 Height mm	T1 Depth mm	Packs of	B3	B4	B5	B6	H2	H3	H4	Dimensions of mounting plate			Weight (kg)	Model No. KEL	Accessories: Mounting plates KL
											G1	F1	F2			
150	150	80	1	132	109	125	148	148	132	100	135	125	–	1.3	<b>9301.000</b>	<b>1560.700</b>
200	200	80	1	182	159	175	198	198	182	150	185	175	50	1.8	<b>9303.000</b>	<b>1562.700</b>
300	150	80	1	282	259	275	298	148	132	100	285	125	–	1.8	<b>9302.000</b>	<b>1561.700</b>
300	200	80	1	282	259	275	298	198	182	150	285	175	50	2.4	<b>9304.000</b>	<b>1563.700</b>
300	300	120	1	282	259	275	298	298	282	250	285	275	50	3.9	<b>9306.000</b>	<b>1567.700</b>
400	200	120	1	382	359	375	398	198	182	150	385	175	50	3.6	<b>9305.000</b>	<b>1564.700</b>

To order Ex enclosures in 1.4404 (AISI 316L), change the last three digits of the Model No. to .500. Delivery times available on request.

**KEL 9401.600 – KEL 9409.600: with hinged door**

B1 Width mm	H1 Height mm	T1 Depth mm	Packs of	B3	B5	B6	H2	H3	H4	Dimensions of mounting plate				No. of fasteners	Weight (kg)	Model No. KEL
										G1	G2	F1	F2			
200	300	155	1	167	122	–	295	274	260	–	–	–	–	1	3.8	<b>9401.600</b>
300	380	210	1	260	250	175	375	340	295	275	250	334	295	1	7.7	<b>9409.600</b>
380	300	155	1	340	295	255	295	260	250	275	250	334	295	1	7.4	<b>9402.600</b>
380	380	210	1	340	295	255	375	340	330	355	330	334	295	1	9.7	<b>9403.600</b>
380	600	210	1	340	295	255	595	560	545	570	545	334	295	2	13.3	<b>9404.600</b>
600	600	210	1	560	510	475	595	560	545	570	545	549	510	2	15.6	<b>9405.600</b>
600	760	210	1	560	510	475	755	720	705	730	705	549	510	2	22.3	<b>9406.600</b>
760	760	300	1	720	665	635	755	720	705	730	705	704	665	2	30.5	<b>9407.600</b>
800	1000	300	1	760	700	675	995	960	930	955	930	739	700	2	36.3	<b>9408.600</b>

To order Ex enclosures in 1.4404 (AISI 316L), change the last three digits of the Model No. to .500. Delivery times available on request.



## With screw fastened lid

**Material:**  
Stainless steel 1.4301

**Surface finish:**  
Brushed

**Protection category:**  
IP 66 to EN 60 529/10.91

**Certificates:**  
PTB 03 ATEX 1013U

**Supply includes:**  
Enclosure, lid with all-round foamed-in PU seal.

## With hinged door

**Material:**  
Stainless steel 1.4301  
Mounting plate: Sheet steel

**Surface finish:**  
Brushed  
Mounting plate: Zinc-plated

**Protection category:**  
IP 66 to EN 60 529/10.91

**Certificates:**  
PTB 02 ATEX 1082U

**Supply includes:**  
Enclosure, door with all-round foamed-in PU seal, mounting plate.



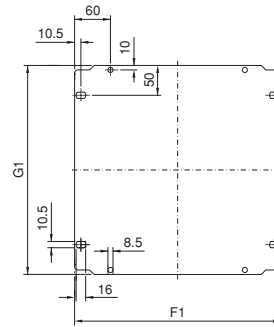
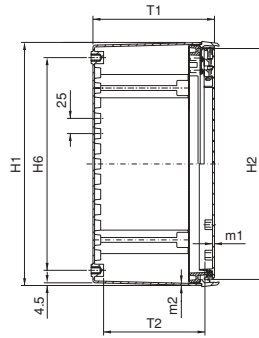
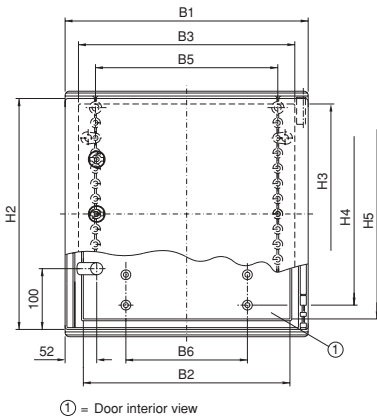
**Wall mounting bracket**  
Stainless steel,  
for enclosure attachment of  
KEL 9301.000 – KEL 9306.000.  
Model No. KL 1594.000.



**Wall mounting bracket**  
Stainless steel,  
for enclosure attachment of  
KEL 9401.600 – KEL 9409.600.  
Model No. SZ 2433.000.

**KEL 9201.600 – KEL 9207.600**

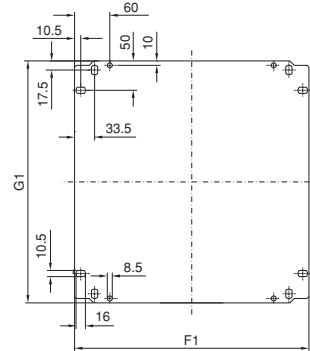
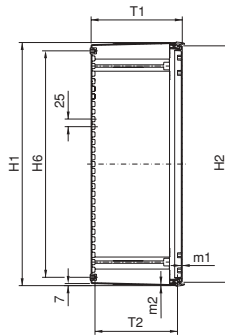
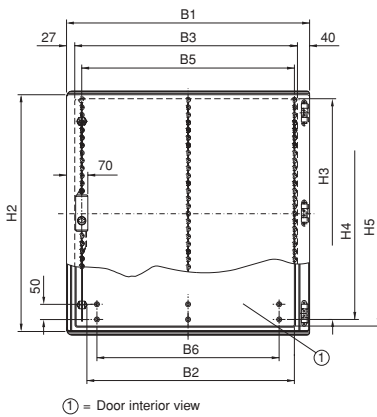
**Mounting plate**



① = Door interior view

**KEL 9208.600 / KEL 9209.600**

**Mounting plate**



① = Door interior view

B 1 Width in mm	Packs of	200	250	300	400	400	500	600	600	800
H 1 Height in mm		300	350	400	400	600	500	600	800	1000
T 1 Depth in mm		150	150	200	200	200	300	200	300	300
<b>Model No. KEL</b>	<b>1</b>	<b>9201.600</b>	<b>9202.600</b>	<b>9203.600</b>	<b>9204.600</b>	<b>9205.600</b>	<b>9207.600</b>	<b>9206.600</b>	<b>9208.600</b>	<b>9209.600</b>
H2		280	330	380	380	580	480	580	780	980
H3		256	306	355	354	554	454	554	753	953
H4		200	250	300	300	500	400	500	700	900
H5		245	295	345	345	545	445	545	740	940
H6		250	300	350	350	550	450	550	750	950
B2		140	190	240	340	340	440	540	485	685
B3		150	200	249	348	348	434	548	533	733
B5		100	150	200	300	300	400	500	500	700
B6		-	75	100	200	200	300	400	400	600
T2		130	130	180	180	180	280	180	280	280
m1		3.0	3.0	3.0	3.2	3.2	3.5	3.5	3.7	3.7
m2		2.5	2.5	2.8	3.0	3.2	3.5	3.5	3.7	4.0
Dimensions of mounting plate F1		145	195	245	345	345	417	545	517	717
Dimensions of mounting plate G1		250	300	350	350	550	450	550	750	950
Number of fasteners		1	1	2	2	2	2	2	*	*
Weight (kg)		3.7	4.6	6.0	6.5	11.5	12.9	15.9	24.3	39.0

\* 3-point rod locking system

To order Ex enclosures in 1.4404 (AISI 316L), change the last three digits of the Model No. to .500. Delivery times available on request.

**Material:**

Enclosure: Fibre-glass-reinforced unsaturated polyester  
Surface resistance:  $< 10^9 \Omega$   
Mounting plate: Sheet steel, zinc-plated, passivated

**Colour:**

RAL 9011

**Protection category:**

IP 66 to EN 60 529/10.91  
KEL 9209.600:  
IP 56 to EN 60 529/10.91

**Certificates:**

PTB 03 ATEX 1011U

**Supply includes:**

Enclosure, door with all-round foamed-in PU seal, mounting plate.

**Pole clamp**

For fastening to square or round poles.  
Model No. SZ 2584.000.

**Wall mounting bracket**

For enclosure attachment of series KEL 9201.600 – KEL 9209.600.  
Model No. KE 9266.000.

# Global Rittal. Worldwide service.



## Industrial enclosures

*Small enclosures*

*Compact enclosures*

*Large enclosures*

*PC enclosure and case systems*

*Console systems*

*Industrial workstations*

*Command Panel systems*

*Stainless steel enclosures and support arm systems*

*EMC-shielded enclosures*

*Ex enclosures*



## Electronic packaging



## System climate control



## Power distribution



## IT solutions



## Communication systems

Rittal has one of the largest ranges of enclosures available for immediate delivery. However, Rittal also supplies integral solutions at a high level – up to Level 4. Fully assembled and functional, according to your specific requirements. Whatever your location.

The global alliance between production, distribution and service guarantees customer proximity. World-wide! Wherever in the world you develop and implement solutions for yourself and your customers, we are close at hand.

Rittal GmbH & Co. KG  
P.O. Box 1662  
D-35726 Herborn  
Telephone: +49(0)2772 505-0  
Telefax: +49(0)2772 505-2319  
eMail: [info@rittal.de](mailto:info@rittal.de)  
[www.rittal.com](http://www.rittal.com)

09/03 • E131



**Switch to perfection** **RITTAL**