



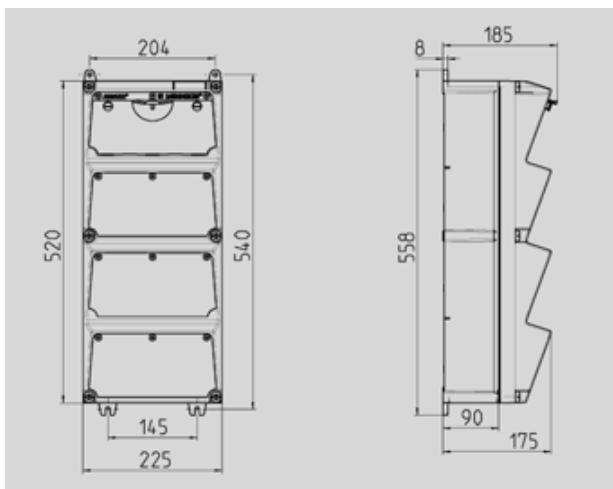
Part no. : 940010

**AMAXX® receptacle
combination**

pre-wired for installation

Enclosure and insert made of AMAPLAST.

Combinations can be supplied with grounding-type receptacles 16A, 230V, 2P+E to French/Belgian, British, Danish and Swiss standards.

For more combinations, please contact us or visit www.AMAXX.info !

Drawing 1 MB 523

Dim. in mm

MENNEKES receptacle combination unit AMAXX
pre-wired enclosure protection type IP 44

enclosure:

1 AMAPLAST-enclosure 520 x 225 mm (h x w)

black base

front cover electric grey RAL 7035

hinged cover

fuses below transparent window

fitted with/fused with:

Pos.01

1 CEE receptacles 63A 5p 400V

Pos.02

1 CEE receptacles 32A 5p 400V

1 MCB 32A 3p C

Pos.03

1 CEE receptacles 16A 5p 400V

1 MCB 16A 3p C

Pos.04

2 SCHUKO receptacles 16A 2p+E 230V

2 MCB's 16A 1p C

Pos.01-04

1 RCD 63A 4p IFN 0,03A

cable entry/supply:

2 x M40 at the top (on the left side

open, on the right side closed)

2 x M40 at the bottom (closed)
2 x M20 at the top and at the bottom (closed)
for 2 cables up to 5 x 25 mm²