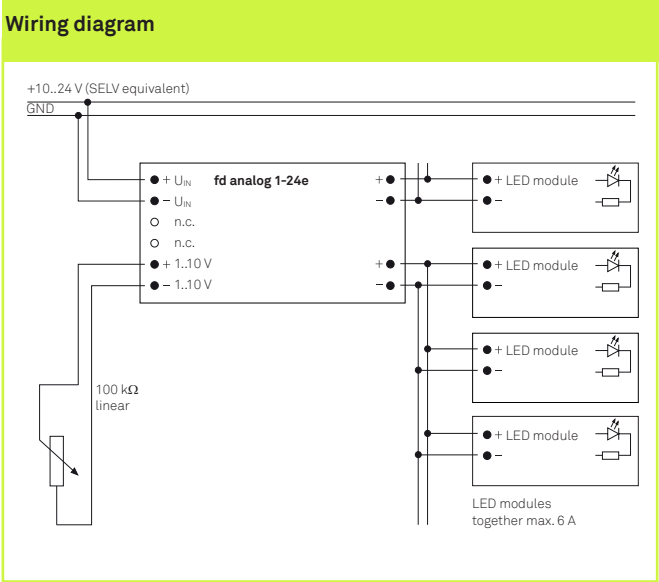


fenò dim
fd analog 1-24e
 1..10 V LED dimmer



Technical details

Product name	fd analog 1-24e
Item number	00000066
Supply voltage	10..24 V DC (SELV)
Current draw	6,2 A max.
Number of control inputs	1
Control signal	1..10 V
Output mode	Constant voltage
Number of outputs	1
Dimming frequency/resolution	240 Hz/16 Bit
Output voltage	10..24 V DC
Output load	1 x 6 A
Short-circuit-proof outputs	yes
Temperature range	-20..45 °C
Dimensions (L/W/H)	167 x 42 x 31 mm
Weight	90 g
Available versions	fd analog 3-24e
Compatible controllers	Potentiometer 100 kΩ lin., fi dmx-pwm 4d & fi pwm-analog 4d

LED dimmer with soft-start electronics for soft control particularly in the lowest dimmer settings.