

FDV dokumentasjon

Smisline	Typebetegnelse	Varenummer	EAN	El.nummer
Universal- adaptere m/DIN feste	ZLS161 DIN-BR.32A L1 MAT.BUNN	2CCA180660R0001	7612270505609	1628621
	ZLS162 DIN-BR.32A L2 MAT.BUNN	2CCA180661R0001	7612270505616	1628622
	ZLS163 DIN-BR.32A L3 MAT.BUNN	2CCA180662R0001	7612270505623	1628623
	ZLS160 DIN-BR.32A N MAT.BUNN	2CCA180663R0001	7612270505593	1628620
	ZLS164 DIN-BR.DUMMY	2CCA180668R0001	7612270505548	1628624
	ZLS171 DIN-BR.63A L1 MAT.BUNN	2CCA180652R0001	7612270505517	1628626
	ZLS172 DIN-BR.63A L2 MAT.BUNN	2CCA180653R0001	7612270505524	1628627
	ZLS173 DIN-BR.63A L3 MAT.BUNN	2CCA180654R0001	7612270505531	1628628
	ZLS170 DIN-BR.63A N MAT.BUNN	2CCA180655R0001	7612270505500	1628625
	ZLS177 DIN-BR.32A L1 MAT.TOPP	2CCA180664R0001	7612270505562	1623637
	ZLS178 DIN-BR.32A L2 MAT.TOPP	2CCA180665R0001	7612270505579	1623638
	ZLS179 DIN-BR.32A L3 MAT.TOPP	2CCA180666R0001	7612270505586	1623639
	ZLS176 DIN-BR.32A N MAT.TOPP	2CCA180667R0001	7612270505555	1623636
	ZLS167 DIN-BR.63A L1 MAT.TOPP	2CCA180656R0001	7612270505647	1623646
	ZLS168 DIN-BR.63A L2 MAT.TOPP	2CCA180657R0001	7612270505654	1623647
	ZLS169 DIN-BR.63A L3 MAT.TOPP	2CCA180658R0001	7612270505661	1623648
	ZLS166 DIN-BR.63A N MAT.TOPP	2CCA180659R0001	7612270505630	1623645
	ZLS180 DIN-BR.32A L1,N	2CCA180970R0001	7612270523399	1628629
	ZLS181 DIN-BR.32A L2,N	2CCA180971R0001	7612270523405	1628630
	ZLS182 DIN-BR.32A L3,N	2CCA180972R0001	7612270523412	1628631
	ZLS183 DIN-BR.32A L1,L2,L3	2CCA180973R0001	7612270523429	1628632
	ZLS184 DIN-BR.32A L1,L2,L3,N	2CCA180974R0001	7612270523436	1628633
	ZLS186 DIN-BR.63A L1,N	2CCA180975R0001	7612270523443	1628634
	ZLS187 DIN-BR.63A L2,N	2CCA180976R0001	7612270523450	1628635
	ZLS188 DIN-BR.63A L3,N	2CCA180977R0001	7612270523467	1628636
	ZLS189 DIN-BR.63A L1,L2,L3	2CCA180978R0001	7612270523474	1628637
	ZLS190 DIN-BR.63A L1,L2,L3,N	2CCA180979R0001	7612270523481	1628638
	ZLS191 DIN-BR.32A L1,N	2CCA181629R0001	7612270510665	1623640
	ZLS192 DIN-BR.32A L2,N	2CCA181630R0001	7612270510672	1623641
	ZLS193 DIN-BR.32A L3,N	2CCA181631R0001	7612270510689	1623642
	ZLS194 DIN-BR.32A L1,L2,L3	2CCA181632R0001	7612270510696	1623643
	ZLS195 DIN-BR.32A L1,L2,L3,N	2CCA181633R0001	7612270510702	1623644
	ZLS176L300 DIN-BR.N,32A,300mm	2CCA181657R0001	7612270100767	1623673
	ZLS177L300 DIN-BR.L1,32A,300mm	2CCA181656R0001	7612270100774	1623674
	ZLS178L300 DIN-BR.L2,32A,300mm	2CCA181655R0001	7612270100781	1623675
	ZLS179L300 DIN-BR.L3,32A,300mm	2CCA181654R0001	7612270100798	1623676
	ZLS170L300 DIN-BR.N,63A,300mm	2CCA181612R0001	7612270510788	1623653
	ZLS171L300 DIN-BR.L1,63A 300mm	2CCA181613R0001	7612270510795	1623654
	ZLS172L300 DIN-BR.L2,63A 300mm	2CCA181614R0001	7612270510801	1623655
	ZLS173L300 DIN-BR.L3,63A 300mm	2CCA181615R0001	7612270510818	1623656
	ZLS160L300 DIN-BR.N,32A 300mm	2CCA181653R0001	7612270100804	1623677
	ZLS161L300 DIN-BR.L1,32A 300m	2CCA181652R0001	7612270100811	1623678
	ZLS162L300 DIN-BR.L2,32A 300m	2CCA181651R0001	7612270100828	1623679
	ZLS163L300 DIN-BR.L3,32A 300m	2CCA181650R0001	7612270100835	1623680
	ZLS166L300 DIN-BR.N,63A 300m	2CCA181608R0001	7612270510740	1623649
	ZLS167L300 DIN-BR.L1,63A 300m	2CCA181609R0001	7612270510757	1623650
	ZLS168L300 DIN-BR.L2,63A 300m	2CCA181610R0001	7612270510764	1623651
ZLS169L300 DIN-BR.L3,63A 300m	2CCA181611R0001	7612270510771	1623652	
ZLS174 FORB.SETT F.FLERP.ADAPT	2CCA180671R0001	7612270523382	1623659	
ZLS240 DIN-BR.100A L1,L2,L3	2CCA180831R0001	7612270523498	1623657	
ZLS241 DIN-BR.100A L1,L2,L3,N	2CCA180830R0001	7612270523504	1623658	
FDV		Ingen krav til periodisk vedlikehold.		

Tekniske Data



Universaladaptere med DIN feste og 32A, 63A og 100A tilkoblinger for 1-4 poler.
Blindmoduler med DIN feste

	Maximum rated voltage	Maximum rated current	Borne principale
Incoming terminal block ZLS224/225/228/229	690 VAC 1000 VDC	160A LLLN, 40A LA, LB	6 mm ² –50 mm ² , 2 x 25 mm ² LLLN, 10 mm ² LA, LB
Incoming terminal block ZLS250–253	690 VAC 1000 VDC	200A	10 mm ² –95 mm ² max. 1 wire
Incoming terminal block ZLS260–262	690 VAC 1000 VDC	63A LLLN, 6A LA, LB	2 mm ² –25 mm ² LLLN, LA, LB max. 1 wire
Busbar ZLS200	690 VAC 1000 VDC	100A	
Busbar ZLS202	690 VAC 600 VDC	40A	
Universal adapters 32 A	690 VAC 600 VDC	32A LLN	
Universal adapters 63A	690 VAC 600 VDC	63A LLN	
Combi module	690 VAC 600 VDC	32A LLN 6A LA, LB	

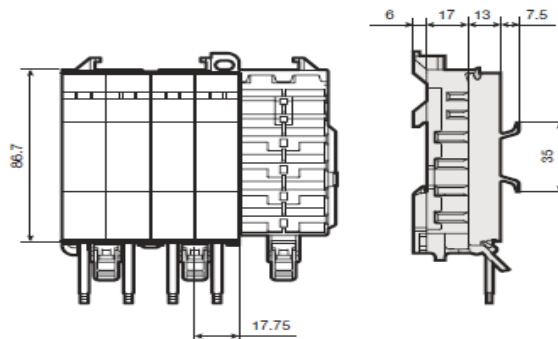
The SMISLINE system and components are tested for vibration according to IEC 60068-2-6 (2–13.2 Hz/1 mm displacement, 13.2–100 Hz/0.7 g) and for Miniature circuit breakers (5 g, 20 frequency cycles 5 ... 150 ... 5 Hz at 0.8 rated current)

Governing standard: IEC 60068-2-6

Environmental testing – Part 2–6: Test Fc. Vibration (sinusoidal)

Technical data according to 

	Busbar	Incoming terminal block ZLS224, 224R, 225, 225R	Incoming terminal component ZLS250, 251, 252, 253	Universal adapter 30A	Universal adapter 60A	Combi module
Maximum rated voltage:		600 VAC	600 VAC	600 VAC	600 VAC	
Maximum rated current:	100 A	150 A	200 A	30 A	60 A	30 A
Rated current for supply, left or right:	100 A	100 A	100 A	–	–	–
Rated current for supply, center:	100 A	150 A	200 A	–	–	–
Resistance to Short circuits:			50 kA	with 200 A back-up fuse		
Supply cable size:		14 to 0, 1/0 AWG	8 to 3/0 AWG	–	–	–



Produsent



Navn

ABB AS

Adresse

Bergerveien 12
1396 Billingstad

Tlf.

03500

E-post

automasjonsprodukter@no.abb.com