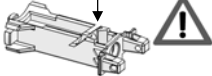


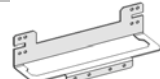





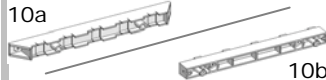












MBS124

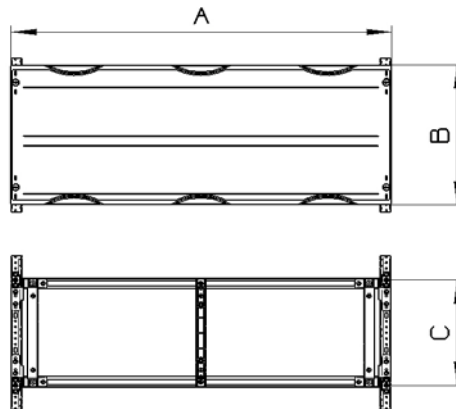
MBS224

MBS324

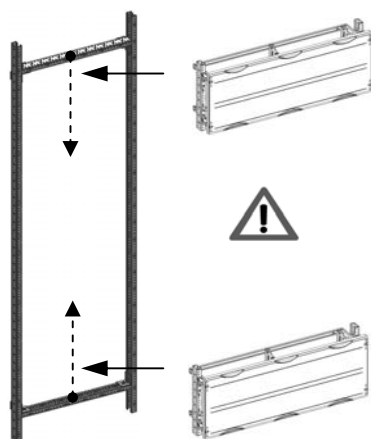
		MBS124		MBS224		MBS324		
		WR	EDF	WR	EDF	WR	EDF	
1		4 x		4 x		4 x		ED138
2		2x	---	2x	---	2x	---	ZW389/L
3		2x	---	2x	---	2x	---	ZW389/R
4		---	2x	---	2x	---	2x	ZW384
5	 4,8x9,5	8x	4x	8x	4x	8x	4x	ZB32
6	 20x10,5x4 M5	---	---	---	---	6 x	---	ZX256
7		---	---	---	---	2 x	---	ZW397
8	 M5x8	---	---	---	---	4 x	---	ZB21
9		---	---	---	---	1 x	---	ZW398
10		2 x	---	2 x	---	3 x	---	ZB5
11	 M5x12	---	---	---	---	2 x	---	ZB36
12	 M6x30	4 x	---	4 x	---	6 x	---	ZX257
13	 D6,4	4 x	---	4 x	---	4 x	---	ZX283

		MBS124		MBS224		MBS324		
		WR	EDF	WR	EDF	WR	EDF	
	<b>14</b>	 	M6x10	4 x	4 x	4 x		ZX21
	<b>15</b>			2 x	2 x	2 x		ZX172
	<b>16</b>			1 x	1 x	1 x		AG..

				
	T25	PH2		SW5



	AG..	A	B	C
<b>MBS124</b>	AG12	250	300	225
<b>MBS224</b>	AG22	500	300	225
<b>MBS324</b>	AG32	750	300	225



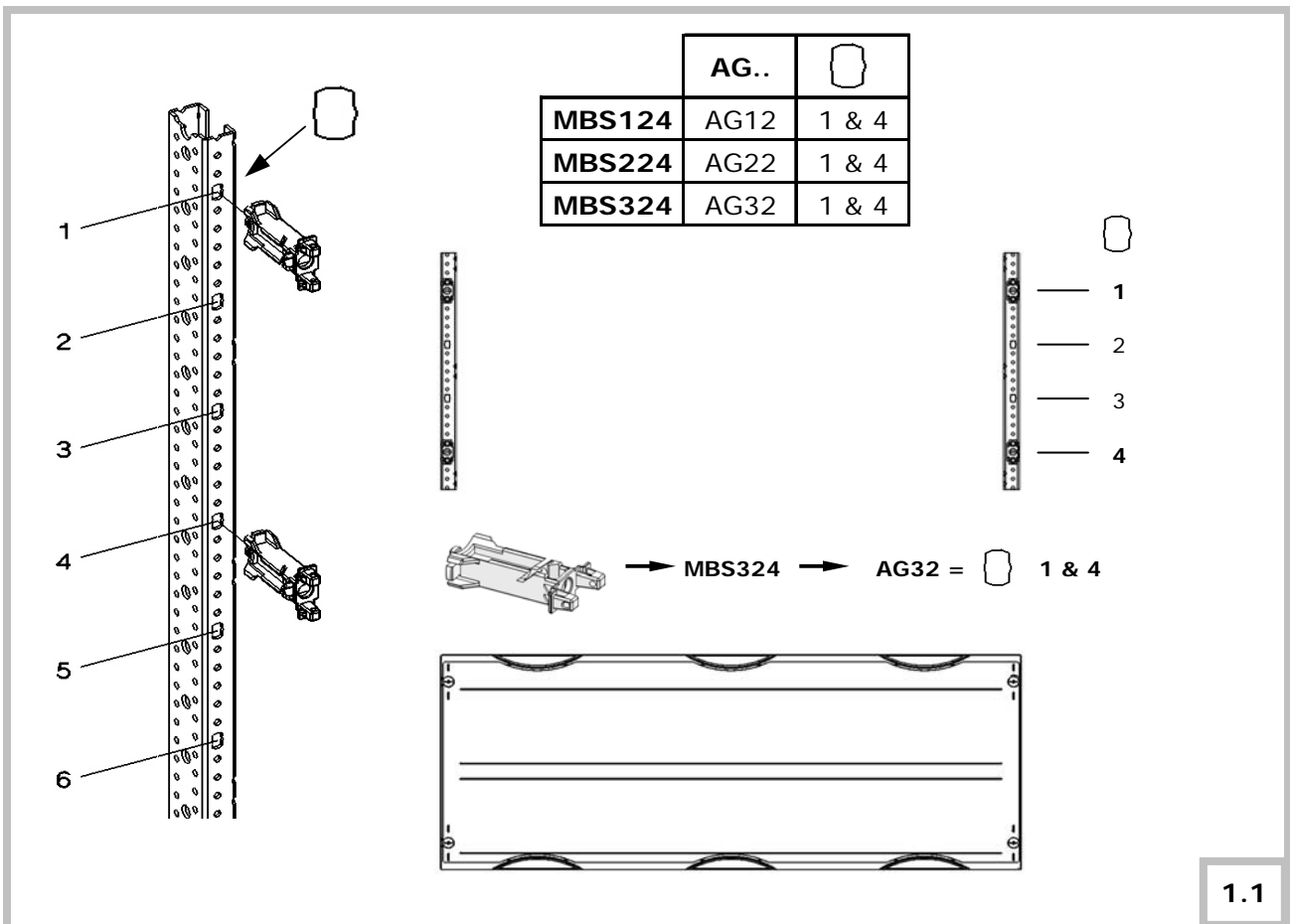
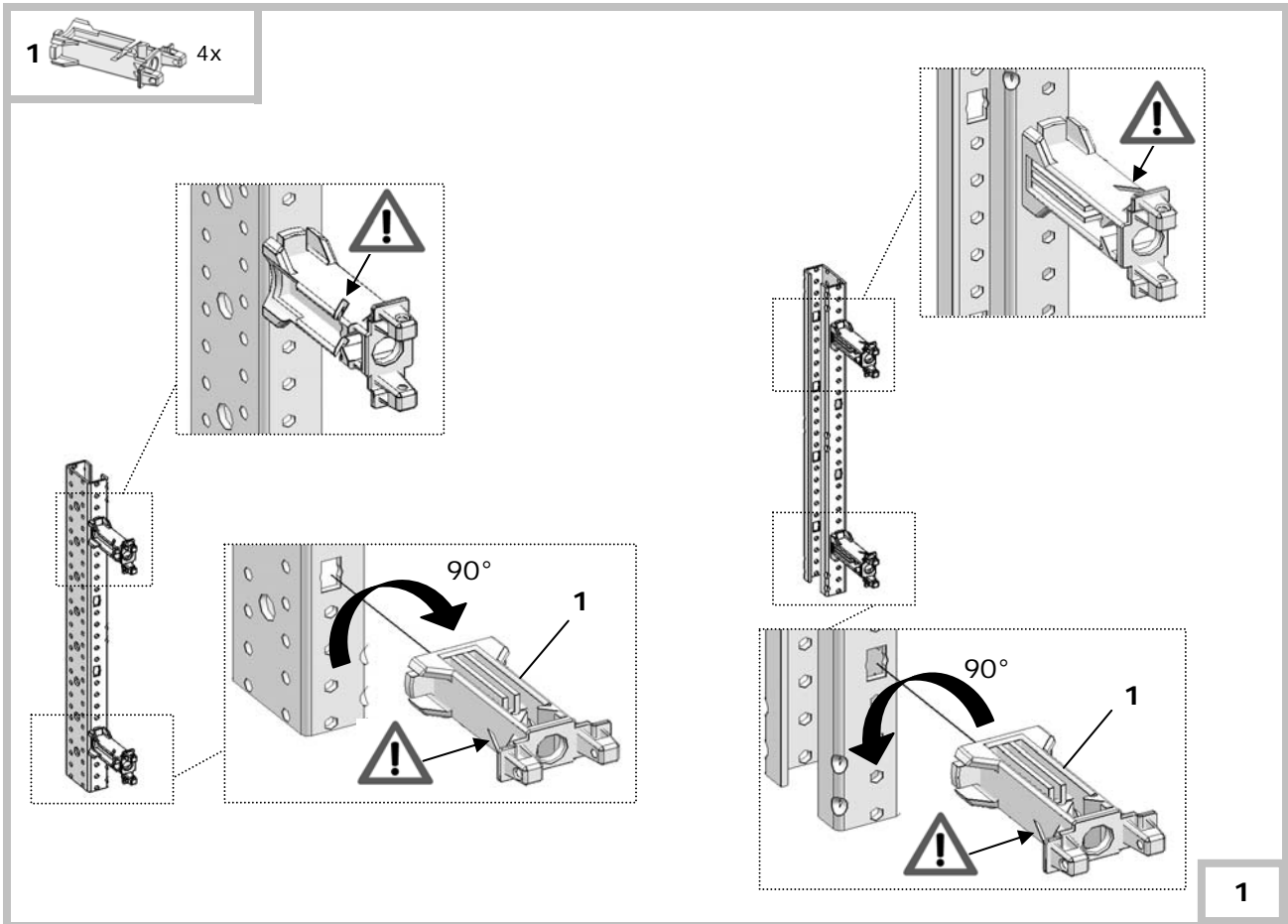
WR

S: 6/7

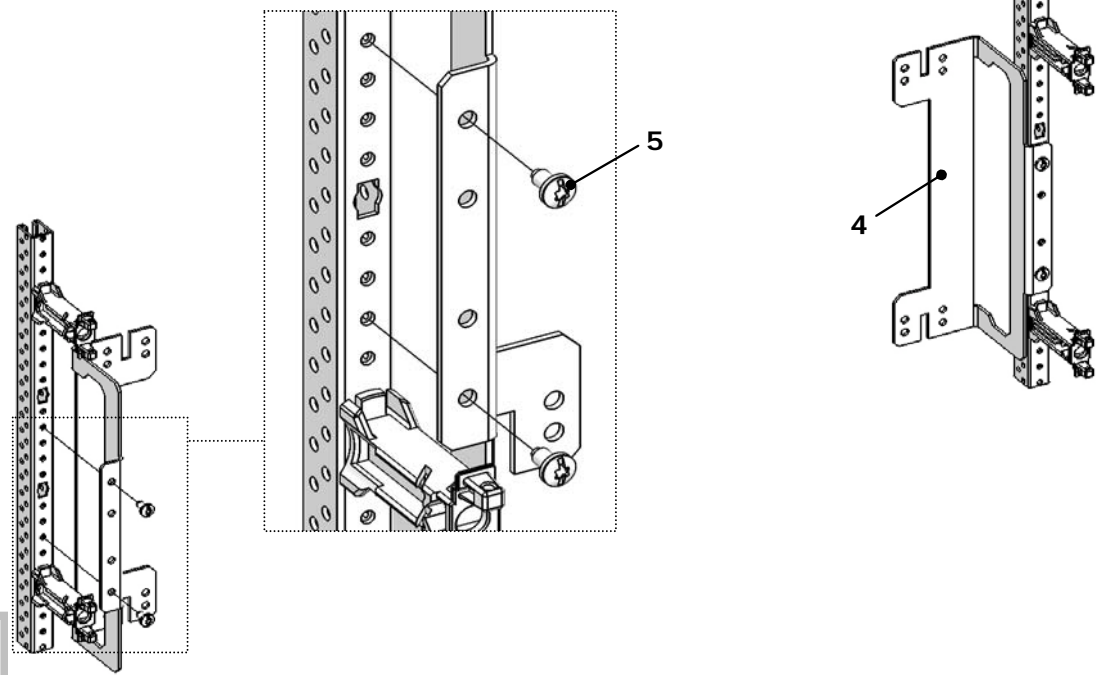


EDF

S: 4/5



<p>5  4x 4,8x9,5</p>	<p>4  2x</p>	<p> T25 EDF/2Nm</p>
--------------------------	--------------	-------------------------



EDF

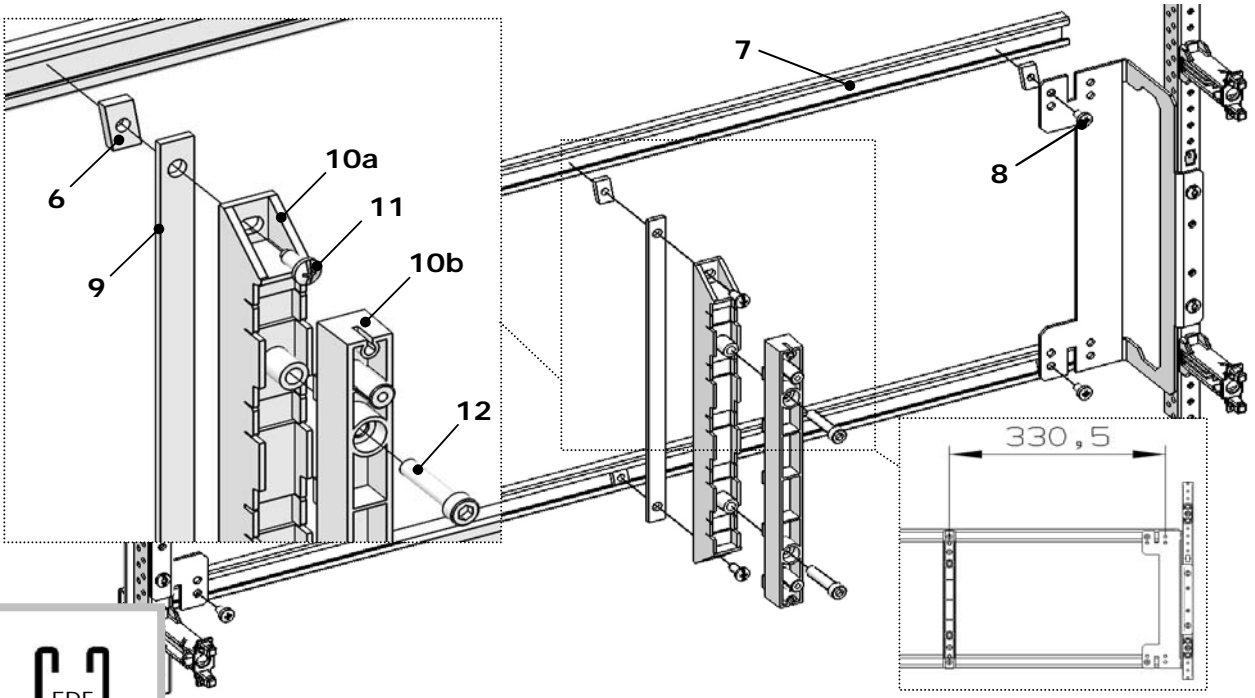
MBS124

MBS224

MBS324

2a

7  2x	8  4x M5x8	6  6x M5	9  1x	SW5 / 5Nm PH2 / 3,5Nm
10a  1x	10b  1x	12  2x M6x30	11  2x M5x12	



EDF

~~MBS124~~

~~MBS224~~

MBS324

3a

<b>10a</b> 2x	<b>10b</b> 2x	<b>13</b> 4x D 6.4	SW5 / 5Nm T25 / 5Nm
<b>14</b> 4x M6x10	<b>12</b> 4x M6x30	<b>15</b> 2x	

EDF

MBS124

MBS224

MBS324

4a

<b>16</b> 1x	PH2
--------------	-----





EDF

MBS124

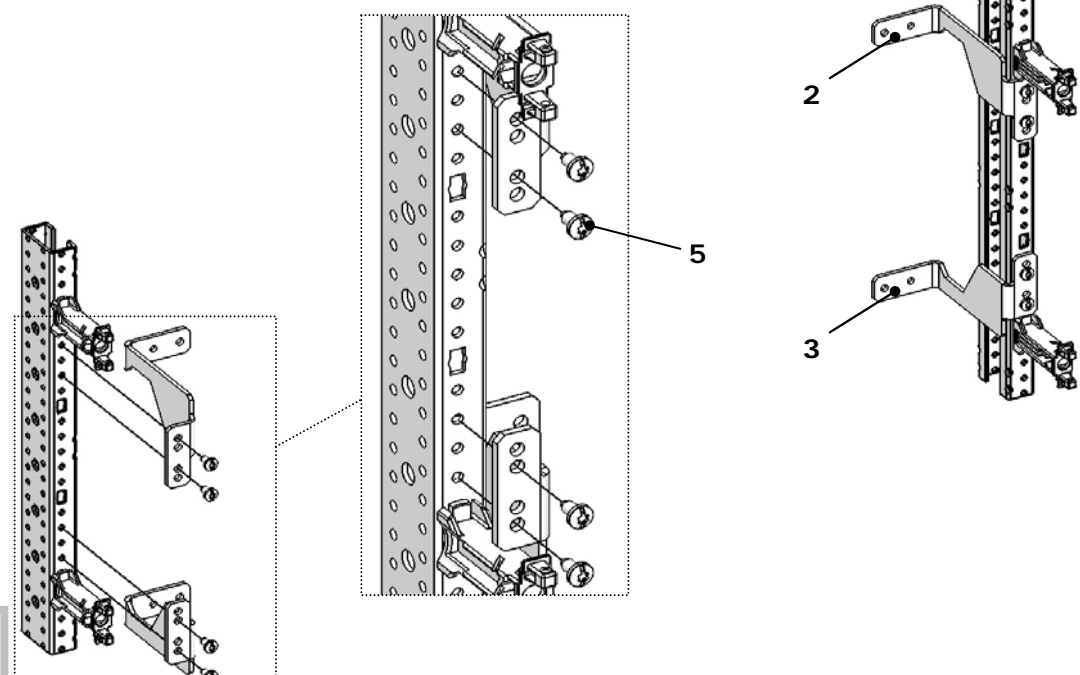
MBS224

MBS324

5a

<b>5</b>  4,8x9,5 <b>8x</b>	<b>2</b>  2x	<b>3</b>  2x	 <b>T25</b> WR/5Nm
---	---	---	---

WR













2b

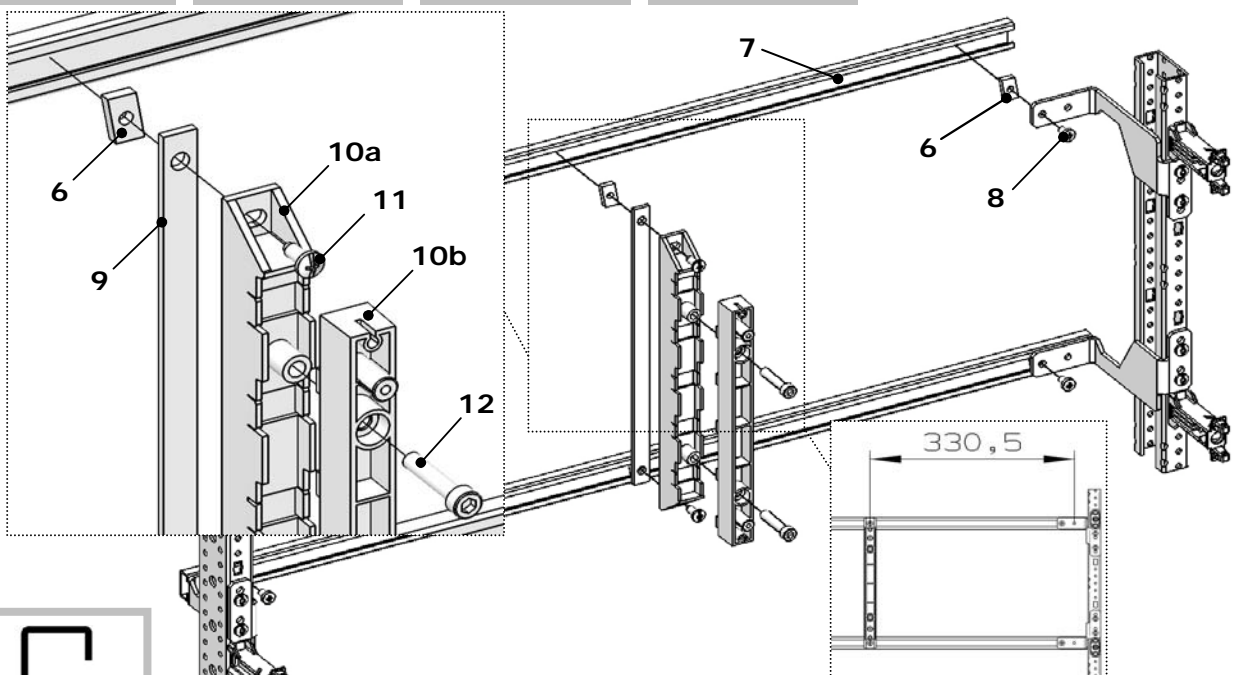
MBS124

MBS224

MBS324

<b>7</b>  2x	<b>8</b>  M5x8 <b>4x</b>	<b>6</b>  M5 <b>6x</b>	<b>9</b>  <b>1x</b>	 <b>SW5 / 5Nm</b>	 <b>PH2 / 3,5Nm</b>
<b>10a</b>  <b>1x</b>	<b>10b</b>  <b>1x</b>	<b>12</b>  M6x30 <b>2x</b>	<b>11</b>  M5x12 <b>2x</b>		

WR



3b

~~MBS124~~

~~MBS224~~

MBS324

<b>10a</b> 2x	<b>10b</b> 2x	<b>13</b> 4x D 6.4	SW5 / 5Nm T25 / 5Nm
<b>14</b> 4x M6x10	<b>12</b> 4x M6x30	<b>15</b> 2x	

WR

MBS124

MBS224

MBS324

4b

<b>13</b> 1x	PH2
--------------	-----

WR

MBS124

MBS224

MBS324

5b

- DE** Arbeiten an elektrischen Betriebsmitteln/Anlagen dürfen nur durch eine ausgebildete Elektrofachkraft gemäß DIN 57105 Teil 1 / VDE 0105 Teil 1 / DIN EN 50110-1 durchgeführt werden.
- GB** Only qualified electrical personell according to DIN 57105 part 1 / VDE 0105 part 1 / DIN EN 50110-1 are allowed to work on electrical installations.
- SE** Endast behörig personal enligt DIN 57105 part 1 /VDE 0105 part 1 / DIN EN 50110-1 är tillaten att arbeta med elektriska installationer.
- IT** Solo a personale qualificato, secondo DIN 57105 part 1 / VDE 0105 part 1 / DIN EN 50110-1 é consentito di lavorare su installazioni elettriche.
- FR** Seul le personnel qualifié en electricité selon DIN 57105 part 1 / VDE 0105 part 1 / DIN EN 50110-1 est autorisé à travailler sur installation électrique.
- ES** Sólo electricistas cualificados según norma DIN 57105 part 1 / VDE 0105 part 1 / DIN EN 50110-1 están autorizados a trabajar en instalaciones.
- RU** Согласно DIN 57105, часть 1 / VDE0105, часть 1 / DIN EN 50110-1, на электрических установках разрешается работать только квалифицированному персоналу.