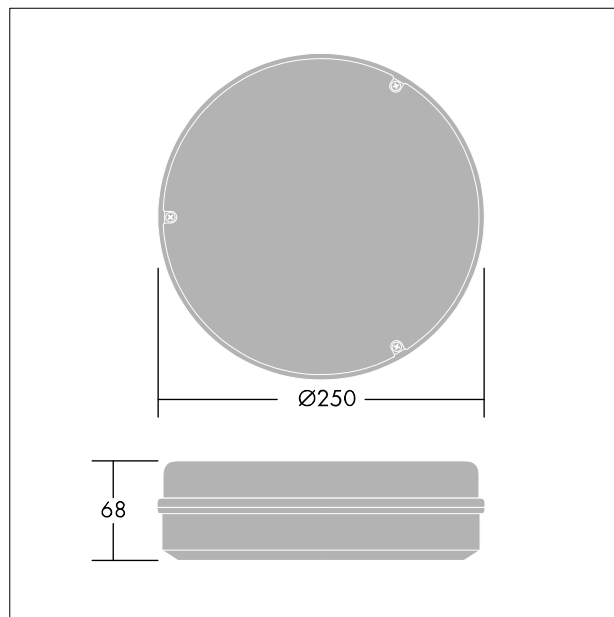




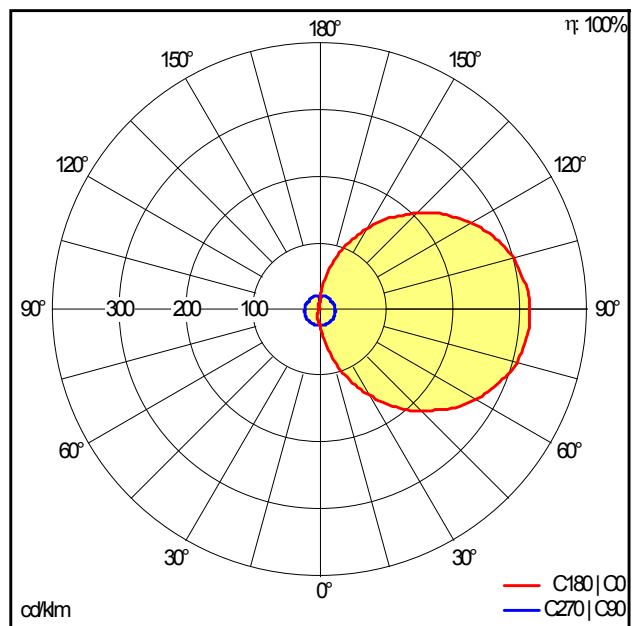
TE_LARA_F_250_BLANK_WH_persp.jpg



TE_LARA_M_800L.wmf

Lysfordeling

STD - standard



TE_LARA_250mm_base_D38097AA.ldt

- Lyskilde: LED
- Lysutbytte fra armatur*: 799 lm
- Armatureffektivitet*: 80 lm/W
- Ra min.: 80
- Motsvarende fargetemperatur*: 4000 Kelvin
- Chromaticity tolerance (initial MacAdam)*: 4
- Rated median useful life*: 50000h L70 at 25°C
- Forkobling: 1x LED_Con
- Luminaire input power*: 10 W Lambda = 0.55