

Counters Multifunction Display Types DMF862



- Dual function
- Programmable function:
 - Pulse counter
 - Position display
 - Frequency/speed
 - Timer/time meter
- DC supply
- High rate accuracy system
- DIN 24x48
- IP65 front protection

Product Description

This multifunction display is similar to the DMF861 but it can display 2 different functions. Can be used for a multitude of applications: can display pulse and frequency, 2 pulse counters, pulse and time or 2 timers

Ordering Key

DMF862 A12 3 00

Type _____
 Output _____
 Supply voltage code _____
 Input type _____
 Stock item: DMF862A12300

Approvals



Output Type

A12	No output
-----	-----------

Supply Voltage

3	10...30VDC (with reverse polarity protection)
---	---

Input Type

00	Standard (also fixed voltage input available upon request)
----	---

Measuring Specifications

Time range	0.001s...999 999h
Counting Frequency	60kHz
Counting system	Programmable
Reset time	<5ms
Accuracy	
Tachometer:	<0.1%
Timer:	<50ppm

General Data

Display	6 digits LED type
Dimensions of digits	H 8mm/0.31"
Viewing angle	Frontal
Colour of digit figures	Red
Current consumption	<50mA
Data Back-up	E ² PROM
Operating temperature	-20...+65°C/-4...149°F
Storage temperature	-20...+85°C/-4...185°F
Mounting position	Panel mounting
Housing colour	RAL7021 (grey)
Dimensions	24x48 acc. to DIN 43700 STD
Weight	50g/1.76oz
Panel cut-out LxH	22.2x45mm / 0.87"x1.77"
Degree of protection	IP65 (front)
EMC	
emitted:	acc. to directive 89/36/ENG EN61000-6-4 EN550011 class B
immunity:	EN61000-6-2

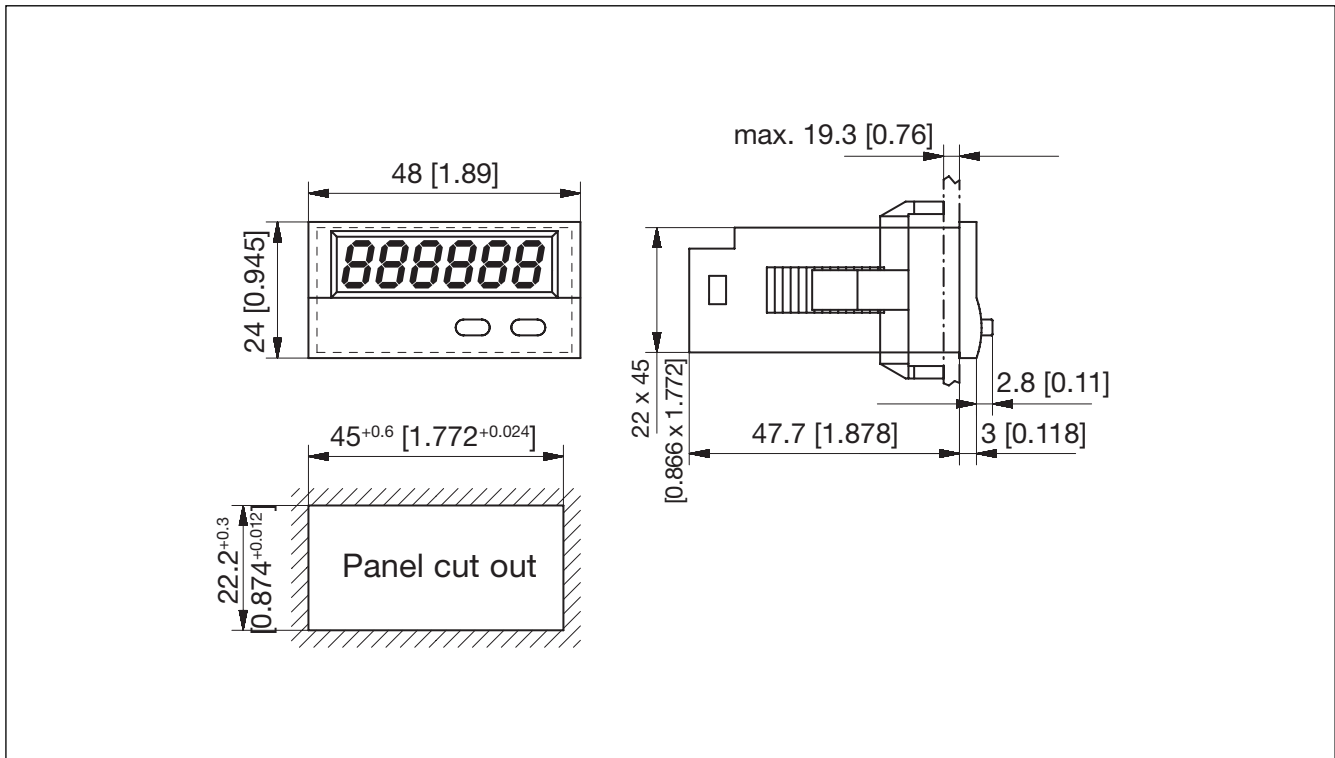
Input Specifications

Polarity	PNP or NPN programmable
Resistance	~ 5kΩ
Switching level	
STD DC input version	Low: 0±0.2 x U _B High: 0.6 x U _B ÷ 30VAC

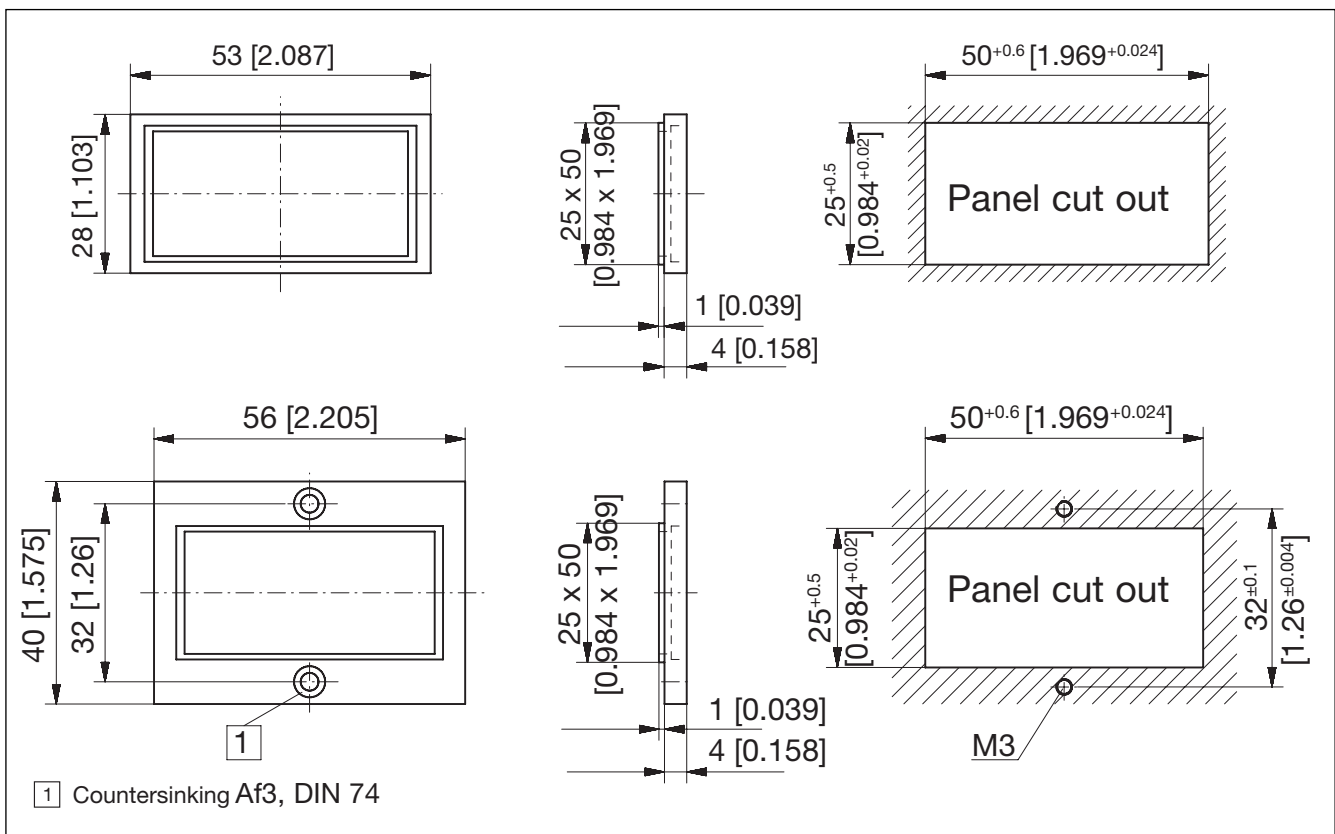
Package Content

1	Instrument DMF862
1	Panel mounting clip
1	Bezel for screen mounting, panel cut-out 50x25mm
1	Bezel for clip mounting, panel cut-out 50x25mm
1	Gasket
1	Multilingual operating manual

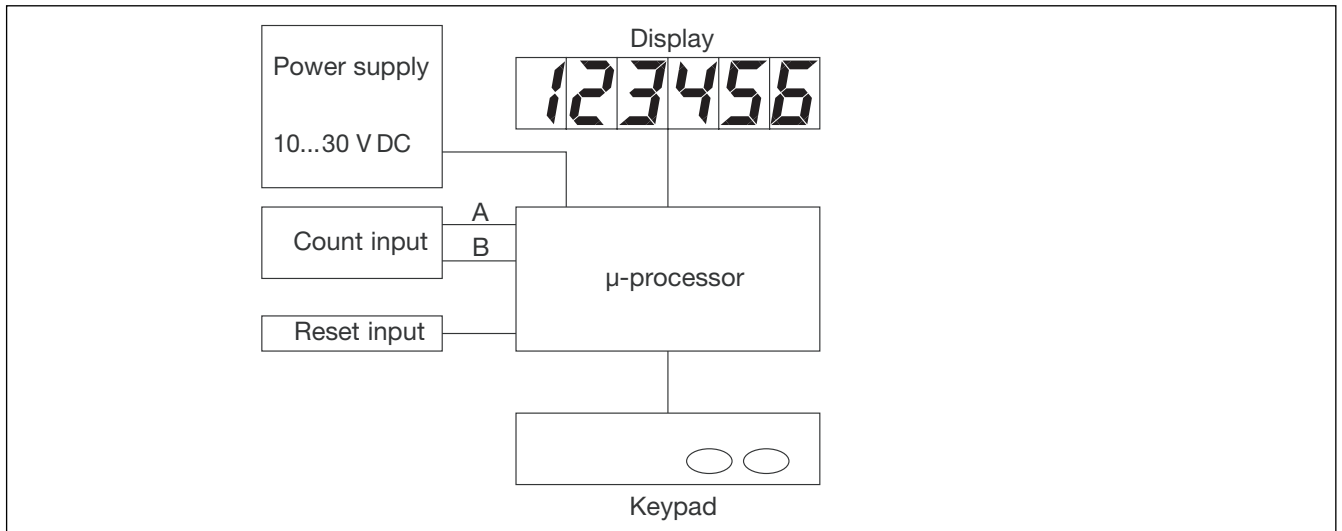
Dimensions (mm/inches)



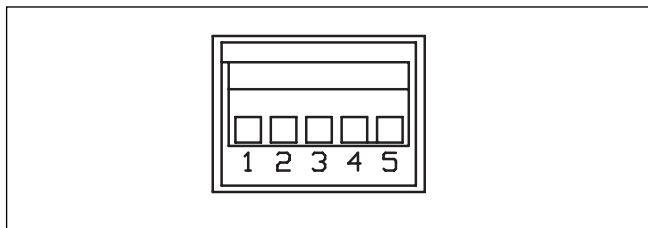
Bezel Dimensions (mm/inches)



Block Diagram



Connections



1. VDC +
2. GND
3. INP A
4. INP B
5. Reset