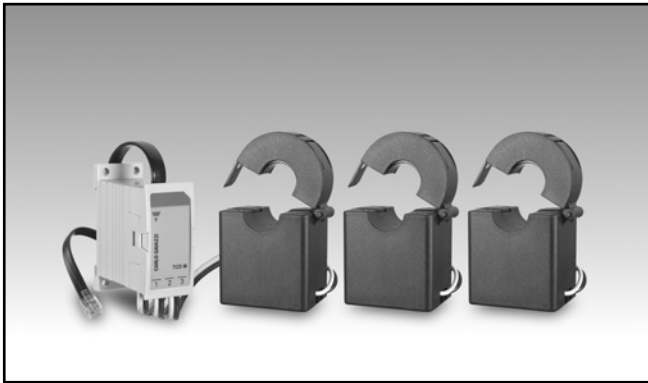


Energy Management

3-phase current transformers

Type TCD2M



- 3-phase current transformer set compatible to EM271 energy meter
- Primary current 200 A
- Hole size 15.5 mm
- Auto-detection of the primary current rated value by the EM271 energy meter
- For cable mounting
- Umbilical connection to EM271 energy meter through RJ11

Product description

Group of three split-core miniature current sensors to be used in combination with EM271 energy meter. Equipped with an RJ11 wire for a very fast installation. The energy meter automatically reads from TCD2M its

primary current rated value, saving time for the user set-up. It can be mounted directly on the cables whose current is to be monitored, without need to interrupt the load power supply.

How to order **TCD2M 200 80CM X**

Model _____
 Primary current _____
 Cable lenght _____
 Option _____

Type Selection

Primary current	Cable length (RJ11 side)	Option
200: 200A primary current input	80 CM: 80cm	X: none

Specification

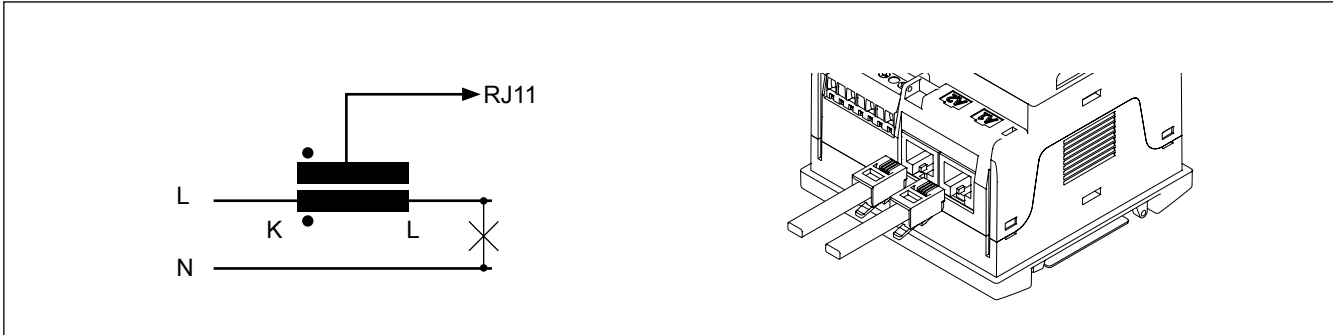
Electrical specifications

Rated Primary Current	200A
45/65Hz	160Ω Max
DC resistance at 20°C	1%
Accuracy	0.5%
Linearity	≤2°
Phase error at rated current range	-40°C to +85°C (-40°F to 185°F) (R.H. < 90% non-condensing @ 40°C)
Operating temperature range	-45°C to +90°C (-49°F to 194°F) (R.H. < 90% non-condensing @ 40°C)
Storage temperature range	
Dielectric withstand voltage (Hi-pot)	3500V/1mA/1min
Insulation Resistance	DC500V/100MΩ min
Max primary cable system voltage	660V

Mechanical specification

Current transformer terminal	150cm (UL1015 22AWG PVC wire, 0.32mm²)
Current transformer housing	PP3307
Opening Angle	180 degree
Approx weight	370g
Approvals	CE
Mounting	Cable Mounting
Connections	RJ11
Protection Degree	IP20
Hole Size	Max 15.5mm

Wiring diagrams



Dimensions

