

## Description



- Astronomical time switch with weekly program
- 2 channels
- 56 memory locations
- Programming by app possible
- Safe transfer via optional Bluetooth Low Energy OBELISK top3
- Maximum manipulation security, time switch programs can only be transferred from the app to the time switch when the Bluetooth OBELISK top3 is plugged into the time switch
- 100 % compatible with top2
- Astronomical time switch function (automatic calculation of sunrise and sunset times for the whole year)
  - Offset for adjusting of sunrise and sunset times
  - Position data via coordinates or country/city lists can be programmed
  - Fixed ON-OFF switching times can be programmed (e.g. night time interruption)
  - Simulation of switching times (calculated astronomical times and programmed ON/OFF switching times)
  - Reversible astronomical mode (evenings ON - mornings OFF or evenings OFF - mornings ON) or can be deactivated
- DuoFix spring terminals
  - For 2 conductors each
  - Wire or strand (with or without wire end sleeve)
  - Wire diameter: 0.5 - 2.5 mm<sup>2</sup>
  - Button for releasing plug-in connection
- Text-oriented user guidance in display
  - Preset date and time
  - fully operable without mains connection
- Interface for OBELISK top2 memory card (PC programming)
  - 2. insertable switching program
  - Copying programs
  - Storing programs
- 10 year power reserve (lithium battery)
- Zero-cross switching for relay-saving switching and high lamp loads (not with 24 V devices)
- Calculated astronomical switching times
- Programmable ON-OFF switching times
- Switching preselection
- Permanent switching ON/OFF
- Integrated operating hour counter
  - Reset option
  - Service function for monitoring maintenance intervals
- Holiday program
- Display back light (can be turned off)
- PIN coding
- Automatic summer/winter time changeover
  - can be deactivated
  - Date rule options are already stored for Europe, the USA and other countries
  - own date rule options or changeover around set dates are available

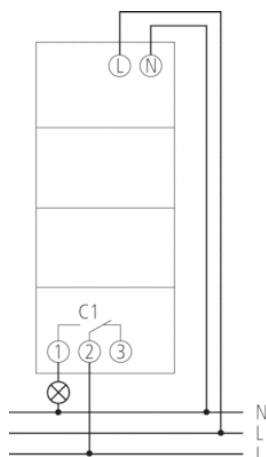
## Technical data

|                   |                    |
|-------------------|--------------------|
| Operating voltage | 230 V AC           |
| Frequency         | 50 – 60 Hz         |
| Width             | 2 modules          |
| Installation type | DIN rail           |
| Type of contact   | Changeover contact |
| Switching output  | Phase-independent  |

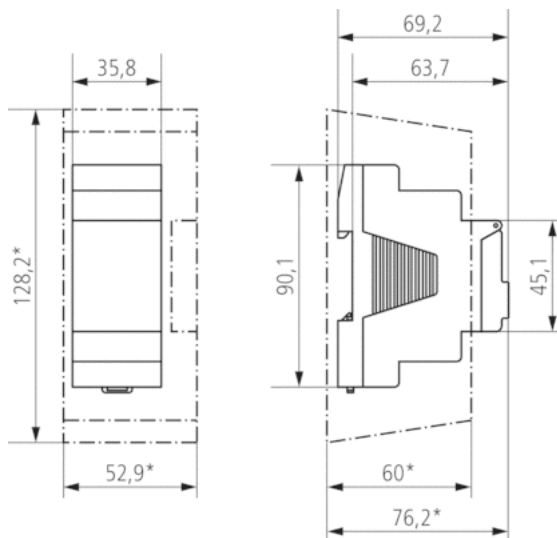
Article number: 1740130

|   |  |
|---|--|
| Opening width   | < 3 mm ( $\mu$ )   |
| Program   | Weekly program, Astronomical program                         |
| Program functions                                       | ON-OFF   |
| Number of channels                                      | 2  |
| Number of memory locations                              | 56   |
| Power reserve   | 10 years   |
| Switching capacity at 250 V AC, $\cos \varphi = 1$      | 16 A   |
| Switching capacity at 250 V AC, $\cos \varphi = 0,6$    | 10 A   |
| Incandescent/halogen lamp load 230 V                    | 2600 W   |
| Energy saving lamps 230 V                               | 1100 W   |
| LED lamp < 2 W  | 50 W   |
| LED lamp 2-8 W  | 600 W  |
| LED lamp > 8 W  | 600 W  |
| Fluorescent lamp load (conventional) not corrected      | 2600 VA  |
| Fluorescent lamp load (conventional) series-corrected   | 2600 VA  |
| Fluorescent lamp load (conventional) parallel-corrected | 1300 VA  |
| Switching capacity min.                                 | ca. 10 mA  |
| Shortest switching times                                | 1 min  |
| Time accuracy at 25 °C                                  | typical $\pm 0,25$ s/day (quartz)                            |
| Time basis  | Quartz   |
| Stand-by consumption                                    | $\sim 0,4$ W   |
| Memory card supplied                                    | –  |
| Type of connection                                      | DuoFix spring terminals                                      |
| Keyboards   | 4 touch buttons  |
| Housing and insulation material                         | High-temperature resistant, self-extinguishing thermoplastic |
| Type of protection                                      | IP 20  |
| Protection class  | II according to EN 60 730-1                                  |
| Ambient temperature                                     | -30 °C ... +55 °C  |

### Connection example



## Scale drawings



## Accessories

### Bluetooth OBELISK top3

- Article number: 9070130  
Details ▶ [www.theben.de](http://www.theben.de)



### Wall mounting kit 35 mm

- Article number: 9070064  
Details ▶ [www.theben.de](http://www.theben.de)



### PC set OBELISK top2/3

- Article number: 9070409  
Details ▶ [www.theben.de](http://www.theben.de)



### Memory card OBELISK top2

- Article number: 9070404  
Details ▶ [www.theben.de](http://www.theben.de)



### Front panel kit

- Article number: 9070001  
Details ▶ [www.theben.de](http://www.theben.de)

