

Description



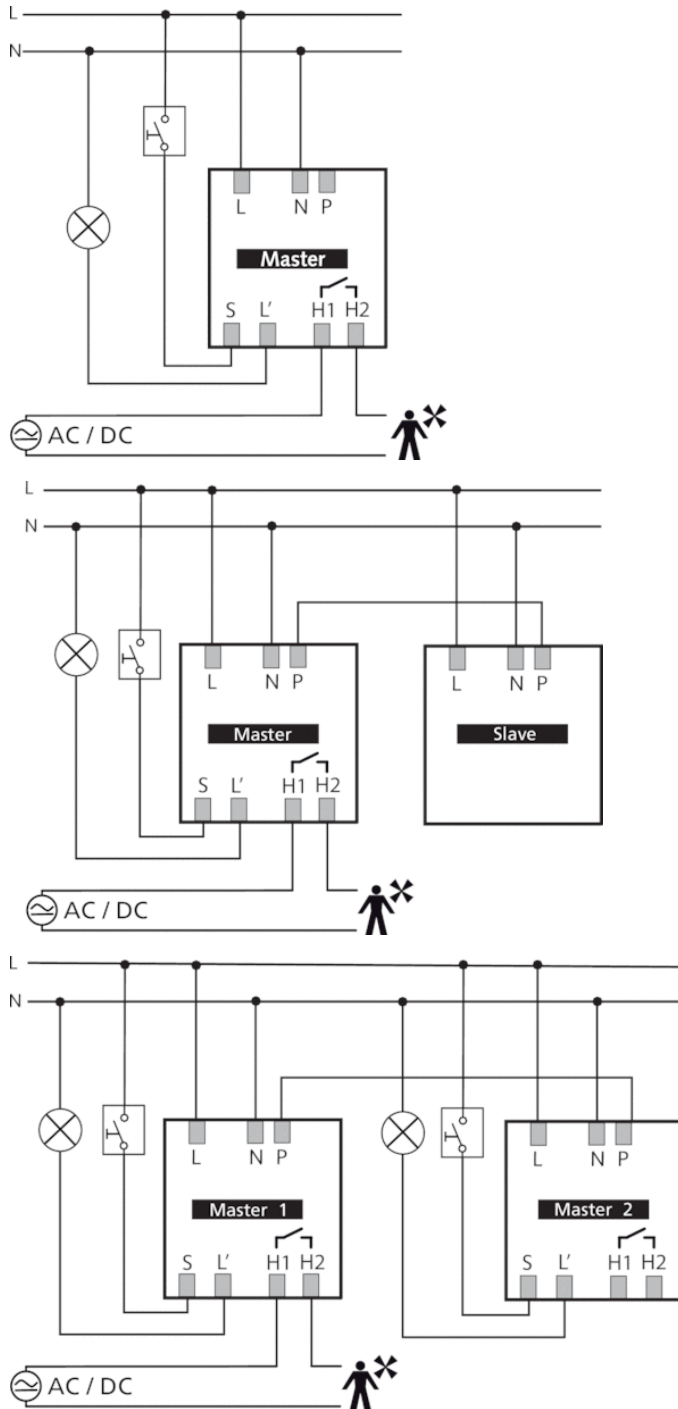
- Passive infrared presence detector for ceiling mounting
- Square detection area for corridors and storage areas
- Detection area with 2 individually connectable and disconnectable detection zones, each 15 x 5 m (total 30 x 5 m)
- Automatic presence- and brightness-dependent control for lighting and HVAC
- Mixed light measurement suitable for fluorescent lamps (FL/PL/ESL), halogen/incandescent lamps and LEDs
- Channel A, light: relay, 230V
- Choice of fully or semi-automatic operation
- Adjustable brightness switching value, teach-in function
- Reduction of switch-off delay time in the event of short presence (brief-presence)
- Connection option for sensors or switches for manual switching with automatic recognition of sensor/switch
- Pulse function for staircase light time switch
- Channel H, presence: relay, floating
- e.g. for HVAC control
- Switch-on delay and switch-off delay configurable
- Sensitivity adjustable
- Detection area can be limited using cover clip
- Ready for immediate use due to factory preset
- Test mode for checking function and detection area
- Extension of detection area via Master/Slave or Master/Master switching, a maximum of 10 detectors can be switched in parallel with each other
- Ceiling installation in flush-mounted socket
- Ceiling installation also possible with surface-mounted frame
- User remote control theSenda S, management remote control SendoPro (optional)

Technical data

Operating voltage	110 – 230 V AC
Frequency	50 – 60 Hz
Installation height	2 – 6 m
Minimum height	> 1,7 m
Installation type	Ceiling installation
Colour	Grey
Switching output	Light Presence
Power consumption	ca. 0,1 W
Light measurement	Mixed light measurement
Setting range brightness	30 – 3000 lx
Lamps	Incandescent/halogen lamps, fluorescent lamps, Energy saving lamps, LEDs
Incandescent/halogen lamp load	2300 W
Compact and fluorescent lamps	1150 VA (cos φ = 0,5)
Inrush current	max. 800 A / 200 μs
LED lamp < 2 W	60 W
LED lamp 2-8 W	180 W
LED lamp > 8 W	200 W
Switch-on delay presence	0 s – 10 min / Room surveillance
Presence switch-off delay	10 s - 120 min
Switching capacity presence	50 W/50 VA

Type of connection	Screw terminals
Max. cable cross section	max. 2 x 2,5 mm ²
Size of concealed housing	Ø 55 mm (NIS, PMI)
Detection range	150 m ² (30,0 x 5 m)
Ambient temperature	-15 °C ... +50 °C
Type of protection	IP 54 (when fitted)

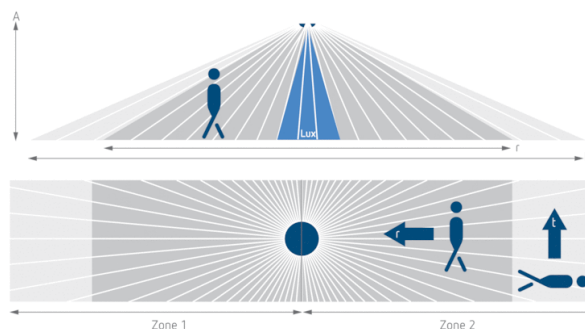
Connection example



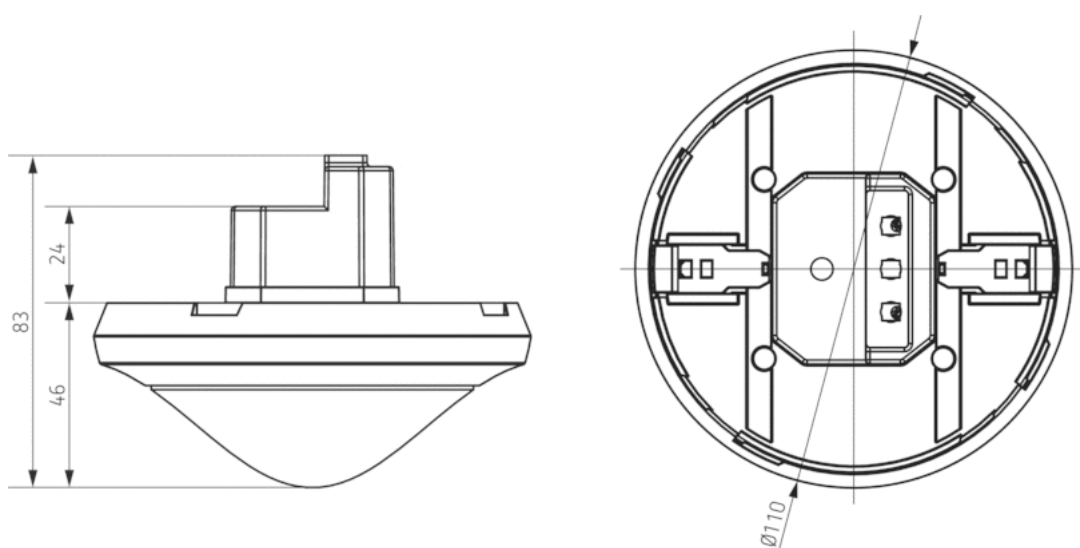
Article number: 2010301

Detection range

Mounting height (A)	Head on to (r)	Diagonally (t)
2 m	56 m ² 16 m x 3,5 m	56 m ² 16 m x 3,5 m
2,5 m	72 m ² 18 m x 4 m	88 m ² 22 m x 4 m
3 m	90 m ² 20 m x 4,5 m	135 m ² 30 m x 4,5 m
3,5 m	100 m ² 20 m x 5 m	150 m ² 30 m x 5 m
4 m	100 m ² 20 m x 5 m	150 m ² 30 m x 5 m
4,5 m	100 m ² 20 m x 5 m	150 m ² 30 m x 5 m
5 m	100 m ² 20 m x 5 m	150 m ² 30 m x 5 m
5,5 m	100 m ² 20 m x 5 m	150 m ² 30 m x 5 m
6 m	100 m ² 20 m x 5 m	150 m ² 30 m x 5 m



Scale drawings



Accessories

Surface frame 110A GR

- Article number: 9070913
Details ▶ www.theben.de



SendoPro 868-A

- Article number: 9070675
Details ▶ www.theben.de



theSenda P

- Article number: 9070910
Details ▶ www.theben.de



theSenda B

- Article number: 9070985
Details ▶ www.theben.de



theSenda S

- Article number: 9070911
Details ▶ www.theben.de



Ceiling installation box 73A

- Article number: 9070917
Details ▶ www.theben.de



Article number: 2010301

Masking clip

- Article number: 9070921
Details ▶ www.theben.de



QuickSafe

- Article number: 9070531
Details ▶ www.theben.de



Product selection

Installation type	Channel	Operating voltage	Colour	Type	Article number
Ceiling installation	Light Presence	110 – 230 V AC	White	thePassa P360-101 UP WH	2010300
Ceiling installation	Light Presence	110 – 230 V AC	Grey	thePassa P360-101 UP GR	2010301