

## Description

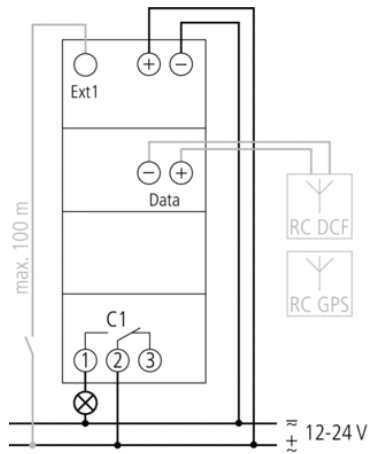


- Astronomical time switch with weekly program
- Time synchronisation via connection of external DCF or GPS antennas, additional positioning for astronomical program with GPS (GPS not with 24 V device)
- Additional power unit required for GPS if only one device is connected to the antenna
- 1 channel
- External input
  - Connectable sensors (external selector switch, sequence timer, staircase light function)
  - Connectable switches (ON or OFF permanent switching, astronomical or special program)
- 84 memory locations
- 3 special programs with yearly date function per channel
  - Fixed public holidays or date ranges and public holidays dependent on Easter
  - Astronomical times with other night interruption / fixed ON switching
  - permanent ON or OFF switching
- Count-down timer
- Astronomical time switch function (automatic calculation of sunrise and sunset times for the whole year)
  - Offset for adjusting of sunrise and sunset times
  - Position data via coordinates or country/city lists can be programmed
  - Fixed ON-OFF switching times can be programmed (e.g. night time interruption)
  - Simulation of switching times (calculated astronomical times and programmed ON/OFF switching times)
  - Reversible astronomical mode (evenings ON - mornings OFF or evenings OFF - mornings ON) or can be deactivated
- DuoFix spring terminals
  - For 2 conductors each
  - Wire or strand (with or without wire end sleeve)
  - Wire diameter: 0.5 - 2.5 mm<sup>2</sup>
  - Button for releasing plug-in connection
- Text-oriented user guidance in display
  - Preset date and time
  - fully operable without mains connection
- Interface for OBELISK top2 memory card (PC programming)
  - 2. insertable switching program
  - Copying programs
  - Storing programs
- 10 year power reserve (lithium battery)
- Zero-cross switching for relay-saving switching and high lamp loads (not with 24 V devices)
- Calculated astronomical switching times
- Programmable ON-OFF switching times
- Switching preselection
- Permanent switching ON/OFF
- Integrated operating hour counter
  - Reset option
  - Service function for monitoring maintenance intervals
- Holiday program
- Display back light (can be turned off)
- PIN coding
- Automatic summer/winter time changeover
  - can be deactivated
  - Date rule options are already stored for Europe, the USA and other countries
  - own date rule options or changeover around set dates are available

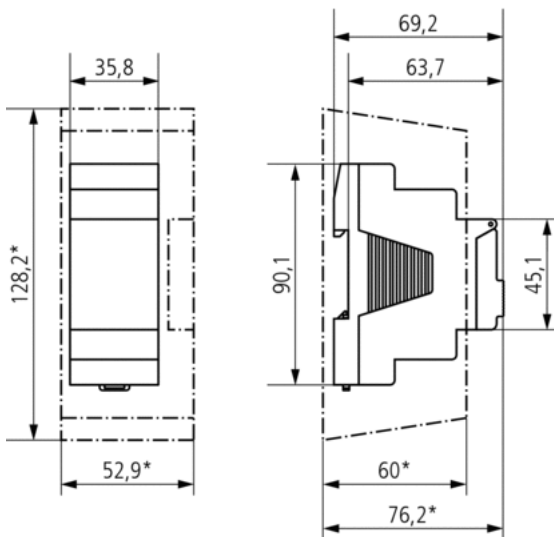
### Technical data

Operating voltage	12 – 24 V UC
Frequency	50 – 60 Hz
Width	2 modules
Installation type	DIN rail
Type of contact	Changeover contact
Switching output	Potential-free and phase-independent
Opening width	< 3 mm ( $\mu$ )
Program	Weekly program, Astronomical program
Program functions	ON-OFF
Number of channels	1
External inputs	1
Number of memory locations	84
Power reserve	10 years
Switching capacity at 250 V AC, $\cos \varphi = 1$	16 A
Switching capacity at 250 V AC, $\cos \varphi = 0,6$	2 A
Incandescent/halogen lamp load 230 V	1400 W
Energy saving lamps 230 V	7 x 7 W, 6 x 11 W, 5 x 15 W, 5 x 20 W, 4 x 23 W
Fluorescent lamp load (electronic ballast)	180 VA
Switching capacity min.	ca. 10 mA
Shortest switching times	1 min
Time accuracy at 25 °C	$\leq \pm 0,5$ s/day (quartz) or DCF77/GPS
Time basis	Quartz/DCF77/GPS
Stand-by consumption	0,8 W
Memory card supplied	–
Type of connection	DuoFix spring terminals
Keyboards	4 touch buttons
Housing and insulation material	High-temperature resistant, self-extinguishing thermoplastic
Type of protection	IP 20
Protection class	II according to EN 60 730-1
Ambient temperature	-30 °C ... +55 °C

### Connection example



### Scale drawings



### Accessories

#### Antenna top2 RC-GPS

- Article number: 9070610  
[Details ▶ www.theben.de](http://www.theben.de)



#### Power unit top2 GPS

- Article number: 9070892  
[Details ▶ www.theben.de](http://www.theben.de)



#### Antenna top2 RC-DCF

- Article number: 9070410  
[Details ▶ www.theben.de](http://www.theben.de)



#### Wall mounting kit 35 mm

- Article number: 9070064  
[Details ▶ www.theben.de](http://www.theben.de)



#### PC set OBELISK top2

- Article number: 9070409  
[Details ▶ www.theben.de](http://www.theben.de)



#### Memory card OBELISK top2

- Article number: 9070404  
[Details ▶ www.theben.de](http://www.theben.de)



Article number: 1714100

Front panel kit

- Article number: 9070001  
[Details ▶ www.theben.de](http://www.theben.de)

