

# Data sheet

Order number: 210762

Quick-Connect TE-Plus Multi-Grip cable gland

EAN/pcs **4024941146968**

Ampere **63A**

Poles **4p (3P+PE)**

Earth 'Clock'  
Position **6 h**

Voltage **380 up to 415V**

Frequency **50 and 60Hz**

Protection **IP67**

Color code **red RAL 3000**

Connection Design **screwless spring-clamp technology with box terminals**

Contact **contact carrier made of high temperature resistant material,  
contacts and box terminals are brass nickel plated**

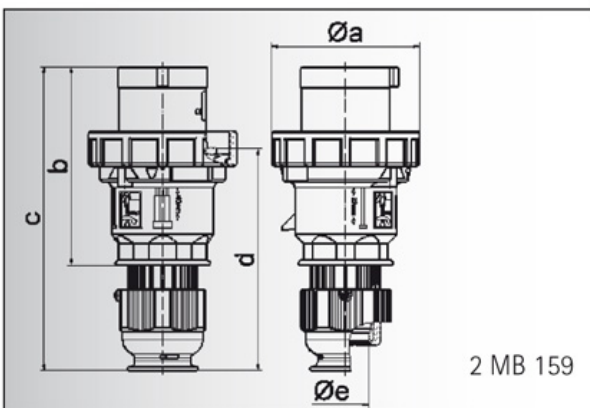
Weight/pcs **0,720 kg**

Packaging unit **5 pc/pcs**

Material of  
enclosure **Polyamide**



Abbildung ähnlich/ image similar



Ampere	63	63	63
Polzahl	3	4	5
a Ø	113,5	113,5	113,5
b	153,0	153,0	153,0
c	233,0	233,0	233,0
d	171,0	171,0	171,0
e Ø	36,0	36,0	36,0
Leiter mm <sup>2</sup> min	6	6	6
Leiter mm <sup>2</sup> max	16	16	16

**Bals Elektrotechnik GmbH & Co. KG**

D-57399 Kirchhundem - Albaum

phone: +49(0)2723/771-0 fax: +49(0)2723/771-177

email: [info@bals.com](mailto:info@bals.com) [www.bals.com](http://www.bals.com)

date: 10.08.2015