

Data sheet

Order number: 13734

panel mounting socket outlet Quick-Connect, straight

EAN/pcs **4024941137348**

Ampere **16A**

Poles **3p (2P+PE)**

Earth 'Clock'
Position **6 h**

Voltage **200 up to 250V**

Frequency **50 and 60Hz**

Protection **IP67**

Color code **blue RAL 5015**

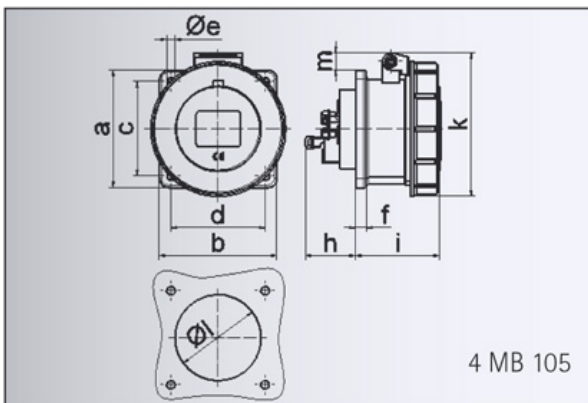
Connection Design **screwless spring terminals as cage clamp with Kontext-contact**

Contact **contact carrier made of polyamide, the contacts are brass**

Weight/pcs **0,129 kg**

Packaging unit **10 pc/pcs**

Material of
enclosure **Polyamide**



Ampere	16	16	16	32	32	32
Polzahl	3	4	5	3	4	5
a	75,0	75,0	75,0	75,0	75,0	75,0
b	75,0	75,0	75,0	75,0	75,0	75,0
c	60,0	60,0	60,0	60,0	60,0	60,0
d	60,0	60,0	60,0	60,0	60,0	60,0
e ø	5,5	5,5	5,5	5,5	5,5	5,5
f	7,0	7,0	7,0	8,0	8,0	8,0
h	35,5	35,5	35,5	50,0	50,0	50,0
i	57,0	58,0	57,0	65,0	65,0	65,0
k	76,0	83,0	93,0	100,0	100,0	106,0
l ø	45,0	45,0	55,0	60,0	60,0	60,0
m	3,5	7,0	11,5	12,0	12,0	17,0
Leiter mm ² min	1,5	1,5	1,5	2,5	2,5	2,5
Leiter mm ² max	4	4	4	10	10	10

Bals Elektrotechnik GmbH & Co. KG

D-57399 Kirchhundem - Albaum

phone: +49(0)2723/771-0 fax: +49(0)2723/771-177

email: info@bals.com

www.bals.com

date: 12.08.2015