

for direct current, with Multi-Grip



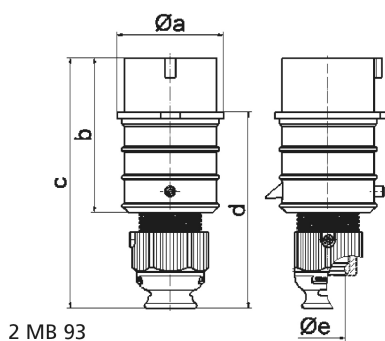
Product description	
BALS-Prd.-Nr	21868
EAN	4024941218689
product category (PG)	Quick-Connect TE-Plus plug with Multi-Grip cable gland
current (A)	16A
number of poles (P99)	3p
number of poles (P)	2P+PE
position of earth contact (H)	3 h
voltage (V)	over 50 up to 250V
frequency (HZ)	direct current (DC)

Product description	
protection degree (SA)	IP44
colour code 1 (KF1)	gray RAL 7035
Colour of appliance	Housing cover grey, Cable gland grey, Collar grey
connection design (AT)	screwless spring-clamp technology as cage clamp
maximum conductor size (LQ)	2,5 qmm
cable entry (KE)	Cable gland
Height	145mm
Width	51mm
Depth	51mm
material of enclosure (GM)	Polyamide
contact	The contact carrier is made of high temperature resistant material, the contacts are brass nickel plated

Additional technical information	
	For cable diameter from 8 up to max. 18 mm, Multi-Grip cable gland with gasket, integrated cable clamp and additional water evacuation openings

Logistics data	
Weight/pcs	0.125 kg / Piece
Packaging	Bag
Content amount	1 ST
EAN	4024941218689

Logistics data	
Length	51 mm
Width	51 mm
Height	145 mm
Weight	0.126 kg
Volume	377.145 ccm
Packaging	Carton
Content amount	10 ST
EAN	4024941837736
Length	248 mm
Width	158 mm
Height	123 mm
Weight	1.347 kg
Volume	3,960 ccm



Ampere	16	16	16	32	32	32
Polzahl	3	4	5	3	4	5
a ø	51,0	57,5	65,0	66,0	66,0	72,0
b	95,0	95,0	97,0	118,0	118,0	117,0
c	145,0	145,0	152,0	178,0	178,0	181,0
d	109,0	109,0	116,0	133,0	133,0	135,5
e ø	18,0	18,0	21,0	23,0	23,0	27,0
Leiter mm² min	1	1	1	2,5	2,5	2,5
Leiter mm² max	2,5	2,5	2,5	6	6	6