

Product Data sheet

Part no.	Name	Type
1301058	Tee-Piece SPB-LB TE-600 PG	SPB-LB TE-600

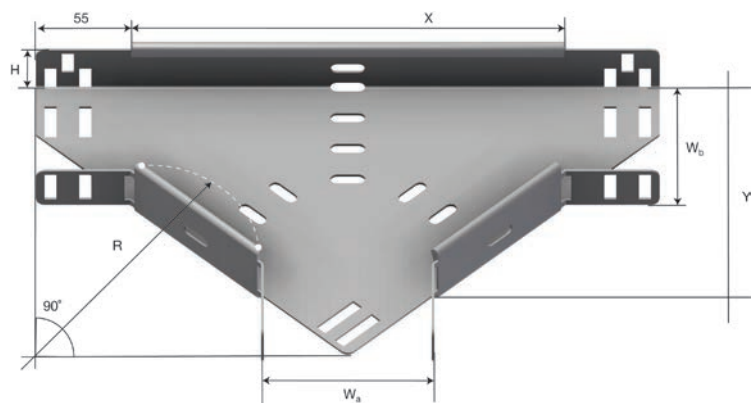


Description: Tee-Piece with integrated splice connectors.

Additional information: No need for splice connectors.

Characteristics

Name	Value
Weight (kg)	7.5
H Height (mm)	35
T Material Thickness (mm)	1.5
X (mm)	740
Y (mm)	670.5



Product packaging information

F-PAK GTIN	Single piece	 7070693010580
D-PAK GTIN		