

Product Data sheet

Part no.	Name	Type
1302216	Channel Bracket S-SPB CB-100 HDG	S-SPB CB-100

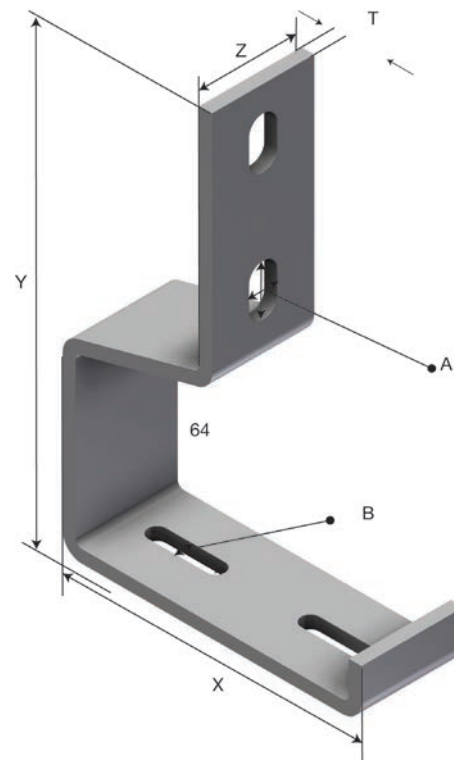
Description: Central support bracket for 100 mm wide SPB Cable Tray.



Additional information:

Characteristics

Name	Value
Weight (kg)	0.6
B Hole Size (mm)	7x30
A Hole Size (mm)	11x20
T Material Thickness (mm)	5
X (mm)	117
Y (mm)	178
Z (mm)	40



Product packaging information

F-PAK GTIN	Single piece	 7070693022163
D-PAK GTIN		