

Product Data sheet

Part no.	Name	Type
1302160	Exit Plate A-SPBE-20 EX SS	A-SPBE-20 EX

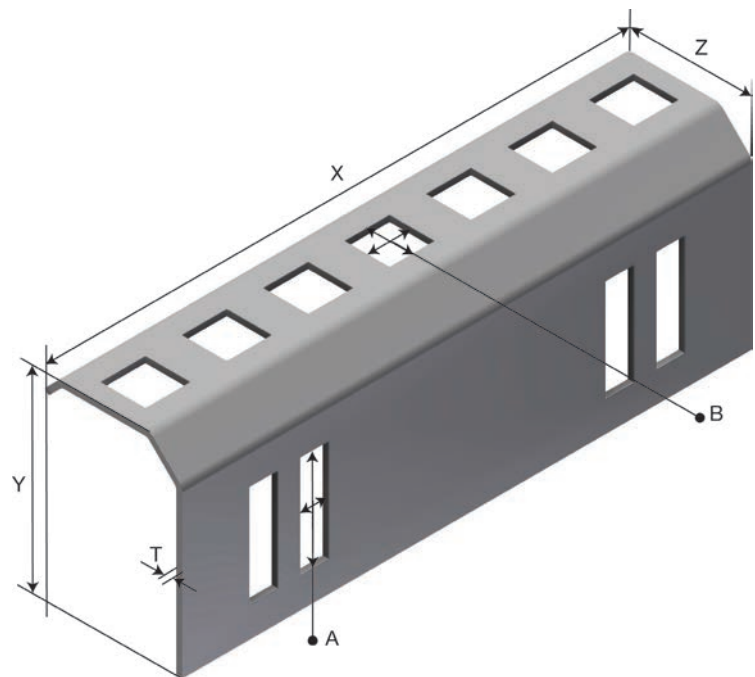


Description: To protect cables exiting the tray.


Additional information:

Characteristics

Name	Value
Weight (kg)	0.2
CC (mm)	25
B Hole Size (mm)	7x15
A Hole Size (mm)	7x15
T Material Thickness (mm)	1.5
X (mm)	150
Y (mm)	23
Z (mm)	76



Product packaging information

F-PAK GTIN	Single piece	 7070693021609
D-PAK GTIN		