

Product Data sheet

| Part no. | Name | Type |
|----------|-------------------------------|---------------|
| 1302087 | Flexi Riser SPBE-20FR-150 HDG | SPBE-20FR-150 |

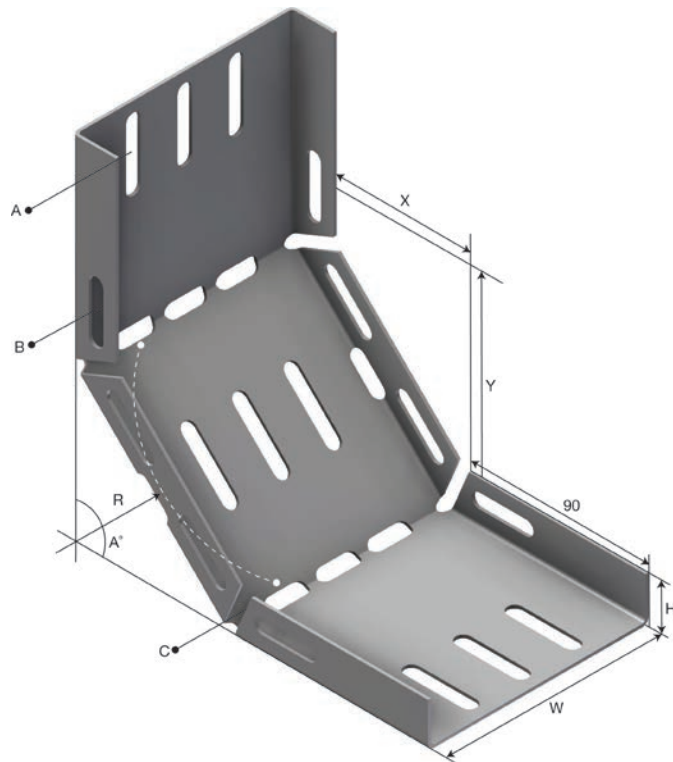
Description: Flexi Riser with integrated splice connectors.



Additional information: Bend to 30°, 45°, 90° or any other desired angle. Adjust to required angle and fix, no need for splice connector. This flexible part replaces all inside and outside risers. Fixed risers on request.

Characteristics

| Name | Value |
|--------------------------------|-------------------|
| Weight (kg) | 0.7 |
| W Width (mm) | 150 |
| B Hole Size (mm) | 7x30 |
| A Hole Size (mm) | 7x35 |
| C Hole Size (mm) | 7x20 |
| Overlap Integrated Splice (mm) | 90 |
| H Height (mm) | 20 |
| T Material Thickness (mm) | 1.5 |
| A Angle (deg) | 0°-90° |
| R Radius (mm) | 105 |
| X (mm) | 71.In- 112.Out |
| Y (mm) | 71.In- 112.Out |



Product packaging information

| | | |
|-------------------|---------------------|--|
| F-PAK GTIN | Single piece |  7070693020879 |
| D-PAK GTIN | | |