

Product Data sheet

Part no.	Name	Type
1302153	Wall Support Bracket S-SPB SB-175-SHS-140 HDG	S-SPB SB-175-SHS-140

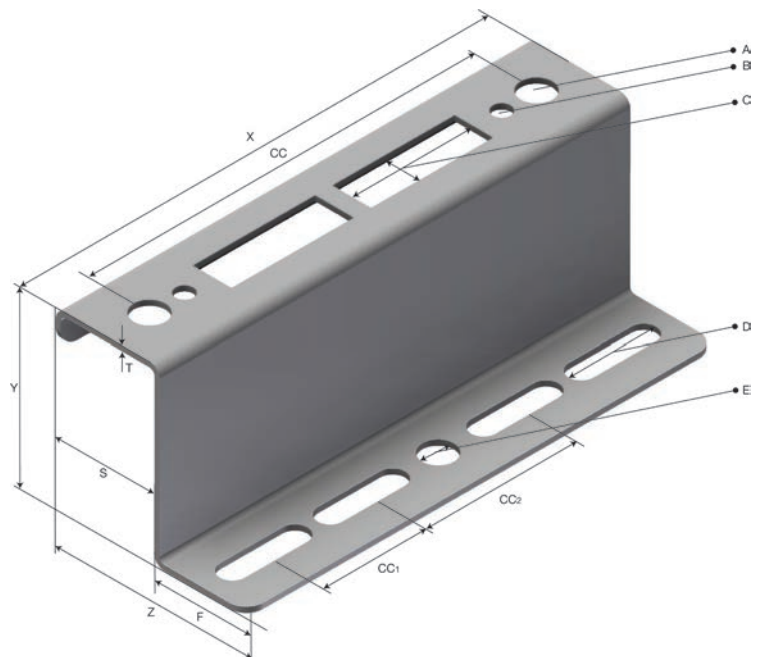


Description: Support bracket for Cable Trays that can be mounted to a Square Hollow Section (SHS) in combination with a U-bolt or directly on a wall.

Additional information:

Characteristics

Name	Value
Weight (kg)	0.2
S Spacing (mm)	30
CC (mm)	154
CC1 (mm)	28
F Flange (mm)	25
B Hole Size (mm)	Ø5
A Hole Size (mm)	Ø11
C Hole Size (mm)	11x35
D Hole Size (mm)	7x25
T Material Thickness (mm)	1.5
X (mm)	175
Y (mm)	50
Z (mm)	55



Product packaging information

F-PAK GTIN	Single piece	 7070693021531
D-PAK GTIN		