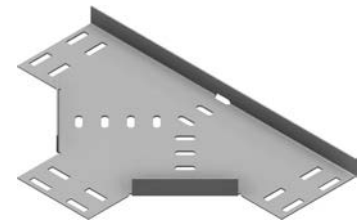


# Product Data sheet

Part no.	Name	Type
1302120	Tee-Piece SPBE-20 TE-400 HDG	SPBE-20 TE-400

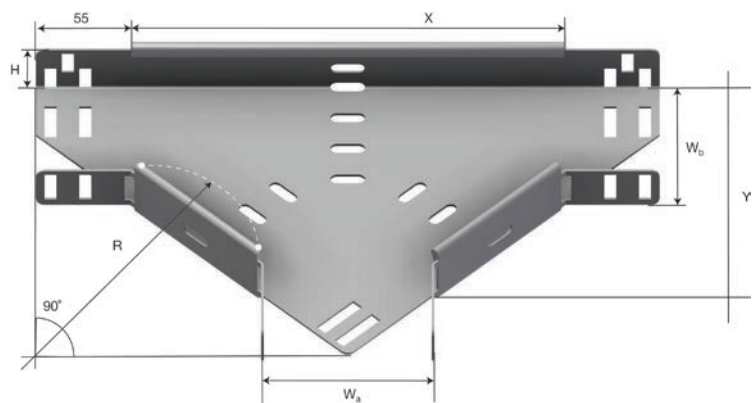


**Description:** Tee-Piece with integrated splice connectors.

**Additional information:** No need for splice connector. Installation measurement = radius: 75mm.

## Characteristics

Name	Value
Weight (kg)	5.0
CC (mm)	25
B Hole Size (mm)	7x20
A Hole Size (mm)	7x25
H Height (mm)	22
T Material Thickness (mm)	2.0
R Radius (mm)	75
X (mm)	660
Y (mm)	533



## Product packaging information

F-PAK GTIN	Single piece	 7070693021203
D-PAK GTIN		