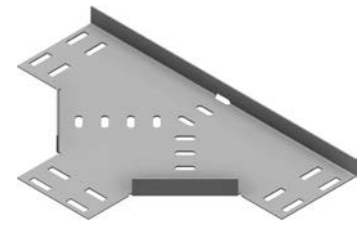


Product Data sheet

| Part no. | Name | Type |
|----------|----------------------------|---------------|
| 1302123 | Tee-Piece SPBE-20 TE-50 SS | SPBE-20 TE-50 |

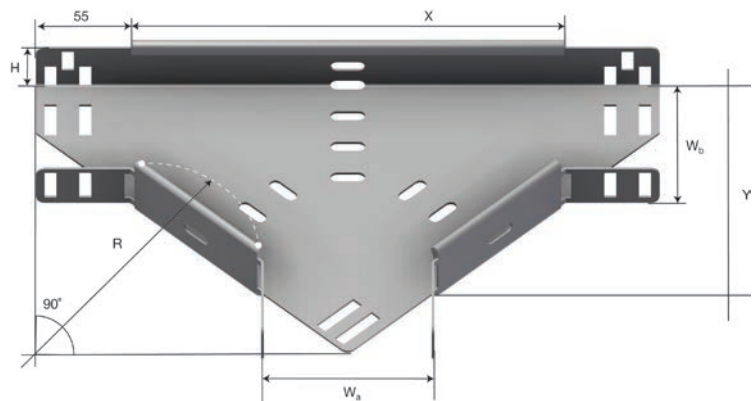


Description: Tee-Piece with integrated Splice Connectors.

Additional information: No need for splice connector. Installation measurement = radius: 75mm.

Characteristics

| Name | Value |
|---------------------------|-------|
| Weight (kg) | 0.4 |
| CC (mm) | 25 |
| B Hole Size (mm) | 7x20 |
| A Hole Size (mm) | 7x25 |
| H Height (mm) | 22 |
| T Material Thickness (mm) | 1.5 |
| R Radius (mm) | 75 |
| X (mm) | 310 |
| Y (mm) | 183 |



Product packaging information

| | | |
|------------|--------------|--|
| F-PAK GTIN | Single piece |  7070693021234 |
| D-PAK GTIN | | |