

Technical data sheet

Cable trunking LE 60, trunking width 60

Art.-Nr. 6130084



LE cable routing trunking for covered cable routing in internal areas.

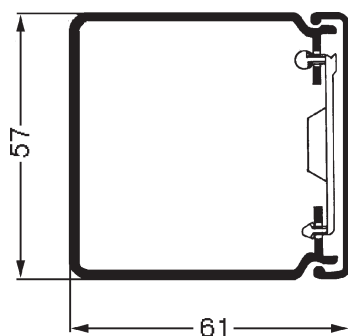
PVC Polyvinylchloride

Additional product text, instruction	Trunking base with base perforation for mounting. Hardly inflammable and self-extinguishing after removal of a naked flame. Change the direction with the fittings and close the trunking ends with end pieces.
Product text, standards	Tested to DIN EN 50085-1 and DIN EN 50085-2-1.
Product text, scope of delivery	Base and cover in set.

Master data

Item no.	6130084
Type	LE 6060 rws
Description 1	Cable trunking
Description 2	LE Set 60x60 9010
Dimension	2000x60x60
Colour	Pure white
RAL number	9010
Material	Polyvinylchloride
Material symbol	PVC
Smallest sales unit	32,00 m
Weight	64,06 kg/100 m

Technical data



Length	2.000,00 mm
Width	60,00 mm
Height	60,00 mm
Fastening type	Base perforation
Halogen-free	<input type="checkbox"/>
Cable retaining clip	<input checked="" type="checkbox"/>
Duct connector	<input type="checkbox"/>
Protective film	<input type="checkbox"/>