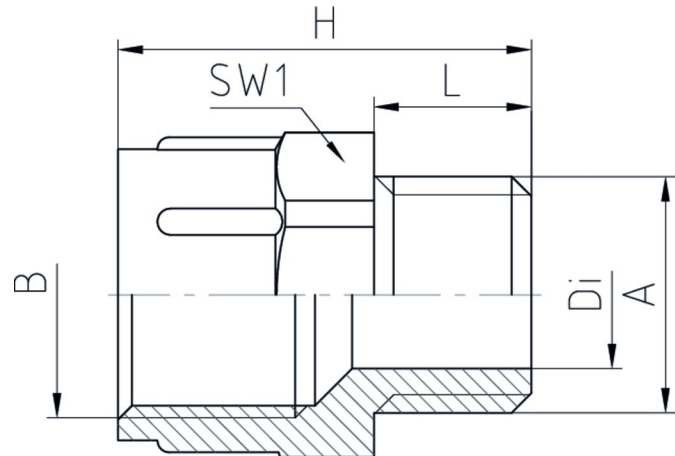


Adapter	Polyamide PA6 GF30
External thread	metric, as per EN 60423
Internal thread	Pg as per DIN 40430




Properties

Temperature range (°C)	-30 +100	• adapter from metric to Pg-threaded holes
Protection grade	dependent on the combination with other components	



Features

A	B	L	SW1	H	Di		Part No.
M12x1,5	Pg 7	8	15	21	7,5	100	06307M12PAU
M12x1,5	Pg 9	11	19	23,5	8	100	06309M12PAU
M16x1,5	Pg 9	11	19	24,5	9,5	100	06309M16PAU
M20x1,5	Pg 11	11	22	26,5	11	100	06311M20PAU
M20x1,5	Pg 13,5	11	24	26	13	100	06313M20PAU
M20x1,5	Pg 16	11	27	28	14,5	100	06316M20PAU
M25x1,5	Pg 16	11	27	29	15,5	50	06316M25PAU
M25x1,5	Pg 21	11	32	31	19,5	50	06321M25PAU
M32x1,5	Pg 21	10	36	25	20,5	25	06321M32PAU
M32x1,5	Pg 29	11	42	33	26,5	25	06329M32PAU
M40x1,5	Pg 29	11	42	34	28	10	06329M40PAU
M50x1,5	Pg 36	11	53	37	34	10	06336M50PAU
M50x1,5	Pg 42	11	60	39	40	10	06342M50PAU
M63x1,5	Pg 48	11	65	40	45	10	06348M63PAU