

Screw plug

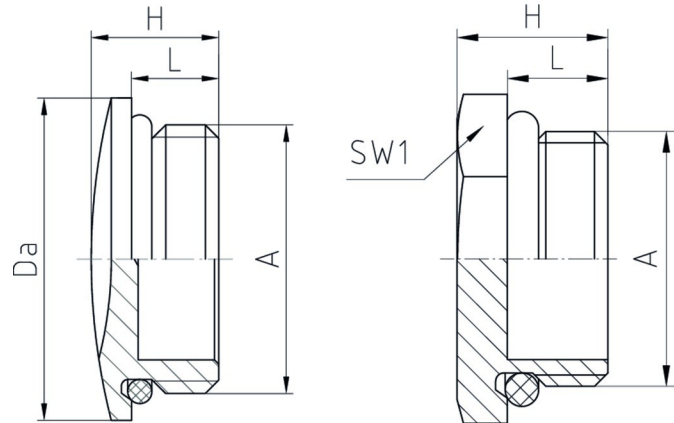
10.xx15 M/G

Screw plug	Brass CuZn39Pb3, nickel-plated
O-ring	Nitrile rubber NBR
Connecting thread	metric, as per EN 60423



Properties

Temperature range (°C)	-30 +100	• for secure sealing of unused threaded or clearance hole
Protection grade	65 / IP68 {Type 4X*}	
Test standard	UL 514A UL 50 UL 746C	
UL / CSA-File	E140310*	




Features

round

A	L	Da	H		Part No.
M12x1,0	4,5	16	7,5	100	10.1210 M/G
M12x1,5	5	16	8	100	10.1215 M/G*
M16x1,5	6	20	9	100	10.1615 M/G*
M20x1,5	6,5	24	9,5	100	10.2015 M/G*
M25x1,5	7	28	11	100	10.2515 M/G*
M32x1,5	8	35	12	50	10.3215 M/G*
M40x1,5	8	45	12	50	10.4015 M/G*
M50x1,5	9	55	15	25	10.5015 M/G*
M63x1,5	10	68	16	10	10.6315 M/G*
M75x1,5	11	80	17	5	10.7515 M/G

hexagonal

A	L	SW1	H		Part No.
M12x1,5	5	14	7,5	100	10.61215 M/G

A	L	SW1	H		Part No.
M16x1,5	5	18	8	100	10.61615 M/G
M20x1,5	6	22	9	100	10.62015 M/G
M25x1,5	6,5	28	10	100	10.62515 M/G
M32x1,5	7	35	10,5	50	10.63215 M/G
M40x1,5	8	44	12	50	10.64015 M/G