

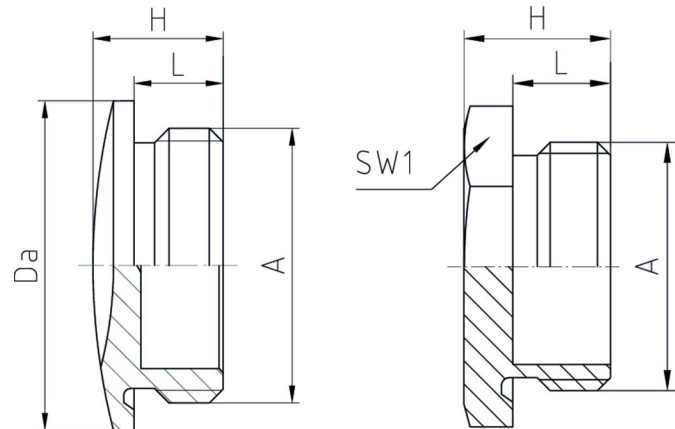
## Screw plug

10.xx15

|                          |                                |
|--------------------------|--------------------------------|
| <b>Screw plug</b>        | Brass CuZn39Pb3, nickel-plated |
| <b>Connecting thread</b> | metric, as per EN 60423        |


### Properties

|                               |             |   |
|-------------------------------|-------------|---|
| <b>Temperature range (°C)</b> | -60<br>+200 | • for secure sealing of unused threaded or clearance hole |
| <b>Protection grade</b>       | 54          |   |





### Features

round

| A       | L   | Da | H   |  | Part No. |
|---------|-----|----|-----|---|----------|
| M12x1,0 | 4,5 | 16 | 7,5 | 100   | 10.1210  |
| M12x1,5 | 5   | 16 | 8   | 100   | 10.1215  |
| M16x1,5 | 6   | 20 | 9   | 100   | 10.1615  |
| M20x1,5 | 6,5 | 24 | 9,5 | 100   | 10.2015  |
| M25x1,5 | 7   | 28 | 11  | 100   | 10.2515  |
| M32x1,5 | 8   | 35 | 12  | 50  | 10.3215  |
| M40x1,5 | 8   | 45 | 12  | 50  | 10.4015  |
| M50x1,5 | 9   | 55 | 15  | 25  | 10.5015  |
| M63x1,5 | 10  | 68 | 16  | 10  | 10.6315  |
| M75x1,5 | 11  | 80 | 17  | 5   | 10.7515  |

hexagonal

| A       | L | SW1 | H   |  | Part No. |
|---------|---|-----|-----|---|----------|
| M12x1,5 | 5 | 14  | 7,5 | 100   | 10.61215 |

| A       | L   | SW1 | H    |  | Part No. |
|---------|-----|-----|------|---|----------|
| M16x1,5 | 5   | 18  | 8    | 100   | 10.61615 |
| M20x1,5 | 6   | 22  | 9    | 100   | 10.62015 |
| M25x1,5 | 6,5 | 28  | 10   | 100   | 10.62515 |
| M32x1,5 | 7   | 35  | 10,5 | 50  | 10.63215 |
| M40x1,5 | 8   | 44  | 12   | 50  | 10.64015 |