

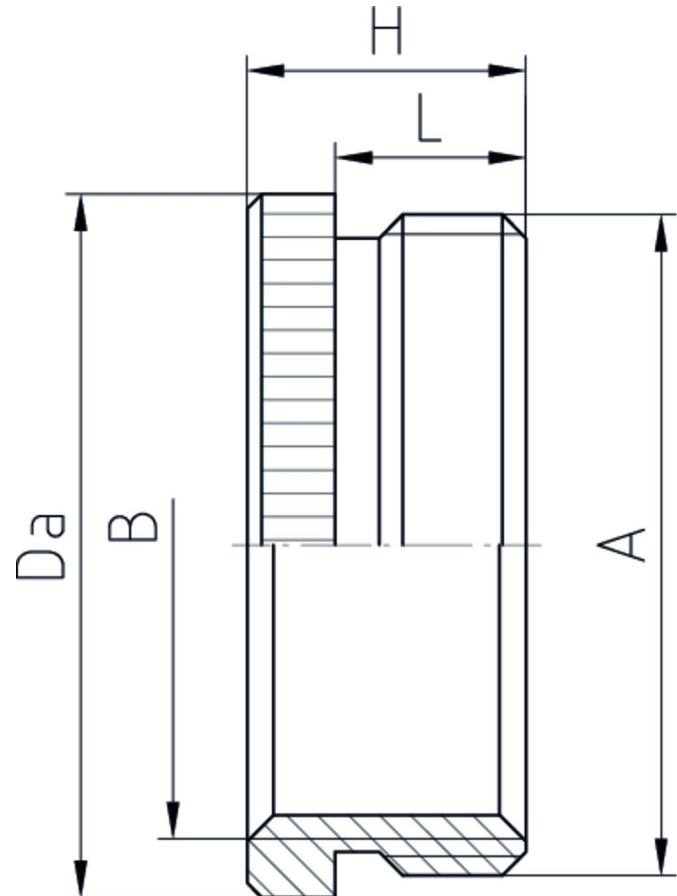
Reduction


xxxx RPg

Reduction	Brass CuZn39Pb3, nickel-plated
External thread	Pg as per DIN 40430
Internal thread	Pg as per DIN 40430




Properties	
Temperature range (°C)	-60 +200
Protection grade	dependent on the combination with other components
	<ul style="list-style-type: none"> reduction of threaded or clearance holes to smaller thread sizes



Features						
A	B	L	H	Da		Part No.

Pg 9	Pg 7	6	8,5	17	100	907
Pg 11	Pg 7	6	8,5	20	100	1107
Pg 11	Pg 9	6	8,5	20	100	1109
Pg 13,5	Pg 7	6,5	9	22	100	1307
Pg 13,5	Pg 9	6,5	9	22	100	1309
Pg 13,5	Pg 11	6,5	9	22	100	1311
Pg 16	Pg 7	6,5	9,5	24	100	1607
Pg 16	Pg 9	6,5	9,5	24	100	1609

A	B	L	H	Da		Part No.
Pg 16	Pg 11	6,5	9,5	24	100	1611
Pg 16	Pg 13,5	6,5	9,5	24	100	1613
Pg 21	Pg 11	7	10	30	100	2111
Pg 21	Pg 13,5	7	10	30	100	2113
Pg 21	Pg 16	7	10	30	100	2116
Pg 29	Pg 16	8	11,5	39	50	2916
Pg 29	Pg 21	8	11,5	39	50	2921
Pg 36	Pg 21	9	12,5	50	25	3621
Pg 36	Pg 29	9	12,5	50	25	3629
Pg 42	Pg 29	10	14	57	10	4229
Pg 42	Pg 36	10	14	57	10	4236
Pg 48	Pg 36	10	14	64	10	4836
Pg 48	Pg 42	10	14	64	10	4842