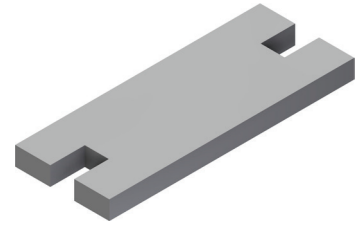


Product Data Sheet

Part no.	Name	Type
1384931	INKO Module Pressure Plate INKO-M PP 32-42 SS	INKO-M PP 32-42

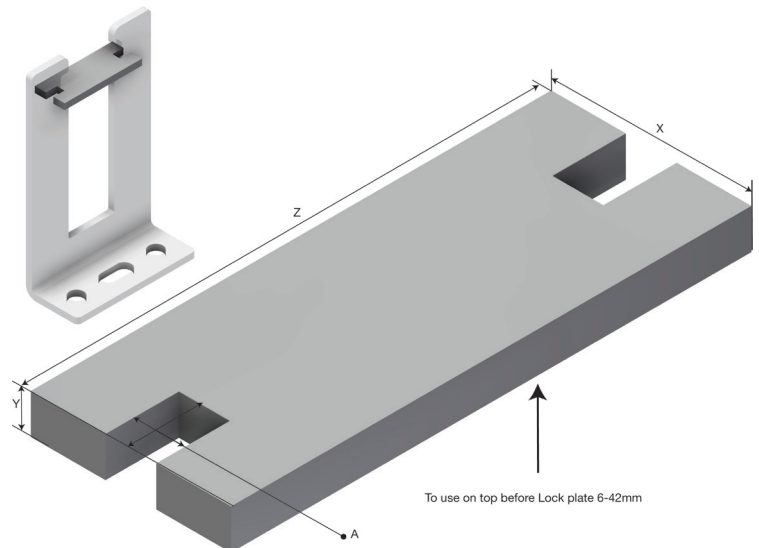
Description: Pressure Plate to install INKO® Module Clamp.



Additional information: For Module base units from 21 to 42 mm tubing: Place a Base Plate and then the first half part of the tubing clamp into the steel module base before placing the tubing. Add the second half part and a Top Pressure Plate before fixing with the Lock Plate. To add an additional level to the module: Release the Lock Plate and remove the Pressure Plate on top of the clamp halves surrounding the tubing. Place a single bolted module base where the Pressure Plate was and retighten using the Lock Plate.


Characteristics

Name	Value
Weight (kg)	0.02
T Material Thickness (mm)	3
X (mm)	15
Y (mm)	3
Z (mm)	66
A Hole Size (mm)	3,8x6



Product images are a general representation of the product design however some variances may occur.

Product packaging information

F-PAK GTIN	Single piece	 7 070693849319
D-PAK GTIN		