

# Product Data Sheet

Part no.	Name	Type
1384986	Double INKO Module Bolted Base. INKO-M BO 14-20 2.2	INKO-M BO 14-20 2.2

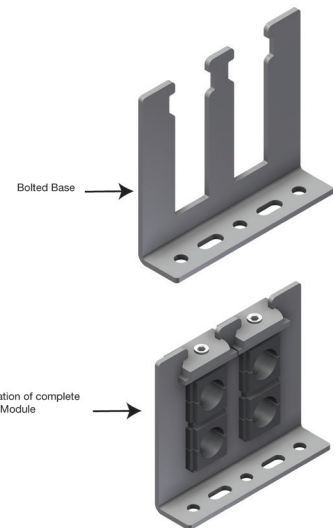
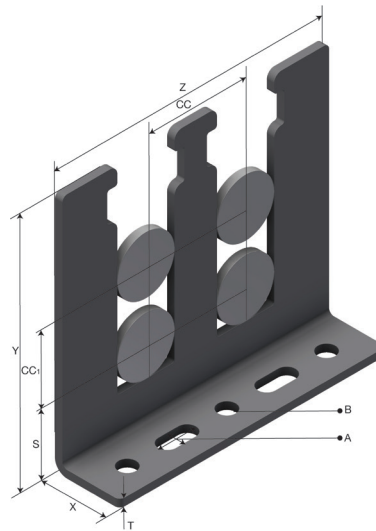
**Description:** Bolted base for INKO Module Clamp in two levels.



## Additional information:

### Characteristics

Name	Value
Weight (kg)	0.2
T Material Thickness (mm)	3
X (mm)	26
Y (mm)	100
Z (mm)	107
H Height (mm)	100
W Width (mm)	107
A Hole Size (mm)	7x15
B Hole Size (mm)	7
CC (mm)	40
CC1 (mm)	32
S Spacing (mm)	32.5
Frame columns	2



Product images are a general representation of the product design however some variances may occur.

## Product packaging information

<b>F-PAK GTIN</b>	<b>Single piece</b>	 7 070693849869
<b>D-PAK GTIN</b>		