

Product Data Sheet

Part no.	Name	Type
1384938	Single INKO Module Bolted Base. INKO-M BO 21-30 1.1	INKO-M BO 21-30 1.1

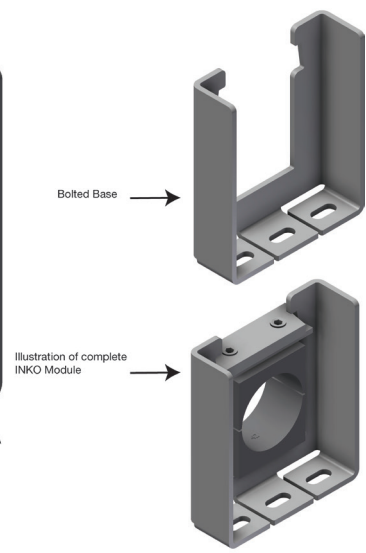
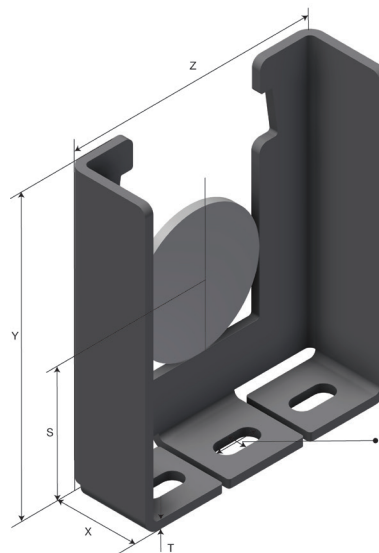
Description: Bolted base for INKO Module Clamp in one level.



Additional information:

Characteristics

Name	Value
Weight (kg)	0.1
T Material Thickness (mm)	3
X (mm)	26
Y (mm)	80
Z (mm)	65
H Height (mm)	80
W1 Width 1 (mm)	65
A Hole Size (mm)	6,5x12,5
S Spacing (mm)	40.5
Frame columns	1



Product images are a general representation of the product design however some variances may occur.

Product packaging information

F-PAK GTIN	Single piece	 7 070693849388
D-PAK GTIN		