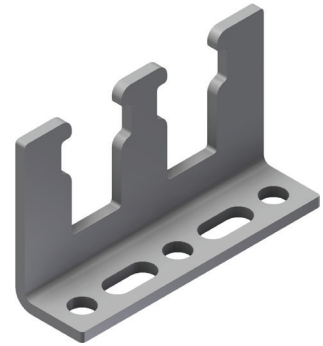


# Product Data Sheet

Part no.	Name	Type
1384946	Single INKO Module Bolted Base. INKO-M BO 21-30 2.1	INKO-M BO 21-30 2.1

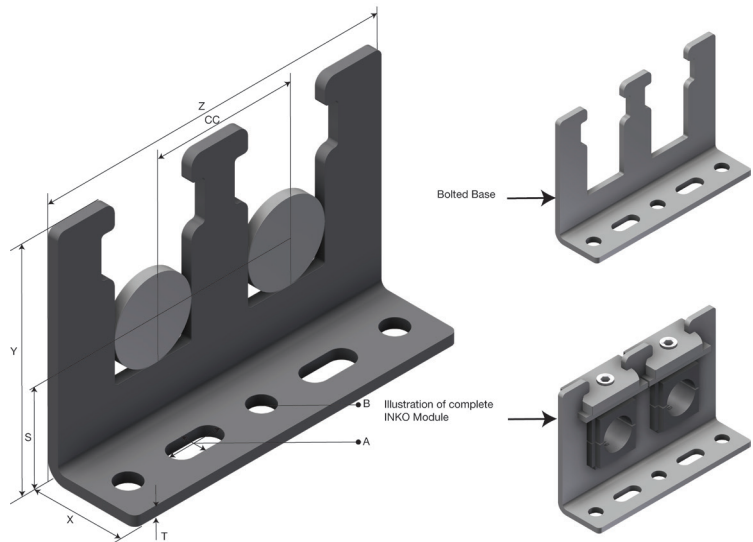
**Description:** Bolted base for INKO Module Clamp in one level.



## Additional information:

### Characteristics

Name	Value
Weight (kg)	0.2
T Material Thickness (mm)	3
X (mm)	26
Y (mm)	80
Z (mm)	130
H Height (mm)	80
W1 Width 1 (mm)	130
A Hole Size (mm)	7x15
B Hole Size (mm)	7
CC (mm)	55
S Spacing (mm)	40.5
Frame columns	2



Product images are a general representation of the product design however some variances may occur.

## Product packaging information

<b>F-PAK GTIN</b>	<b>Single piece</b>	 7 070693849463
<b>D-PAK GTIN</b>		