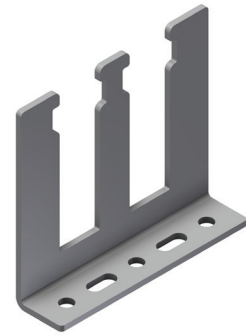


Product Data Sheet

Part no.	Name	Type
1384985	Double INKO Module Bolted Base. INKO-M BO 6-13 2.2	INKO-M BO 6-13 2.2

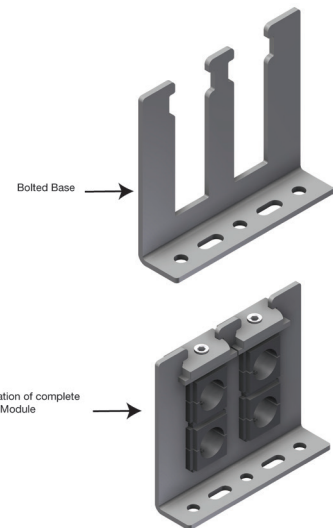
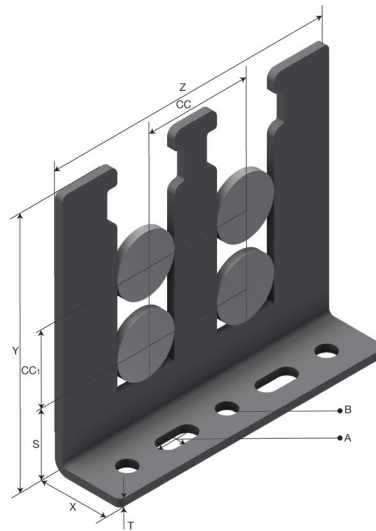
Description: Bolted base for INKO Module Clamp in two levels.



Additional information:

Characteristics

Name	Value
Weight (kg)	0.1
T Material Thickness (mm)	3
X (mm)	21
Y (mm)	65
Z (mm)	85
H Height (mm)	65
W Width (mm)	85
A Hole Size (mm)	7x15
B Hole Size (mm)	7
CC (mm)	30
CC1 (mm)	18.7
S Spacing (mm)	22.5
Frame columns	2



Product images are a general representation of the product design however some variances may occur.

Product packaging information

F-PAK GTIN	Single piece	 7 070693849852
D-PAK GTIN		