

CATALOG

Kabeldon Low Voltage Distribution System

Safe and reliable electrical distribution



- Safe usage in public environments
- Tested, verified and optimized
- Designed for flexibility and ease



Table of contents

OVERVIEW
004–011

KABELDON IP SYSTEM
013–037

**CABLE DISTRIBUTION
CABINETS**
039–057

DISTRIBUTION BOARDS
059–067

DIMENSION DRAWINGS
069–079

TECHNICAL DATA
081–087

INDEX
089–091

01

02

03

04

05

06

07

Kabeldon Low Voltage Distribution System

Safe and reliable electrical distribution

Kabeldon low voltage distribution systems by ABB are designed to deliver safety, ease and reliability for electrical distribution. Our customers typically include utilities, OEMs, panel builders and industrial companies.

Kabeldon solutions are designed to provide excellent protection in even the most demanding environmental conditions. Designed for outdoor environments, the products are produced to withstand sub-zero temperatures as well as being well-ventilated to disperse heat during the summer months and eliminate condensation.

As these systems are typically installed in public environments, both safety and the discreet appearance of the cabinet installations has been an important factor in product design. For instance, the resistance to external impact is tested according to standard IEC 61439-5. In fact, as they are designed to be a unified solution, the entire installations, including cabinets, busbars and fusegear are tested and verified in accordance as a system.

What is found inside the cabinet is just as important as the cabinet itself. The distribution system within is based on a smart, compact and modular design, ensuring both safety and the flexibility of the solution for a wide variety of end uses. Space inside the cabinet can be optimized with the flexible busbar design that allows for easy installation in any configuration desired.



The entire system, including busbars, connectors and switches are IP2X classified. Safety is a key factor for us not only during the system's regular operations, but also during installation and maintenance. Our installations are designed to be intrinsically safe.

Kabeldon Low Voltage Distribution System

Safe and reliable electrical distribution



Safety and protection

Safe usage in public environments

The system's features and design enable an outstanding level of safety and protection. The full IP2X classification provides a safe solution for the installer as well as the surrounding environment. The Kabeldon low voltage distribution system is designed for outdoor usage in public environments, which is why safety is our priority number one.



Continuous operation

Tested, verified and optimized

The Kabeldon system provides a reliable solution that enables continuous operation over its entire lifetime. The products are designed and optimized to work together and tested and verified as a system. This creates a solution that is truly optimized for its main purpose: to provide a safe and reliable low voltage distribution system.



Easy to install

Designed for flexibility and ease

Kabeldon low voltage distribution system is designed to ensure easy installation. It is a solution that is truly easy to work with. The modularity, clear markings and unobstructed visibility make installation fast and flexible. The possibilities for incorrect installations have been minimized, which in turn helps the installer ensure the system's reliability and safety.

Kabeldon Low Voltage Distribution System

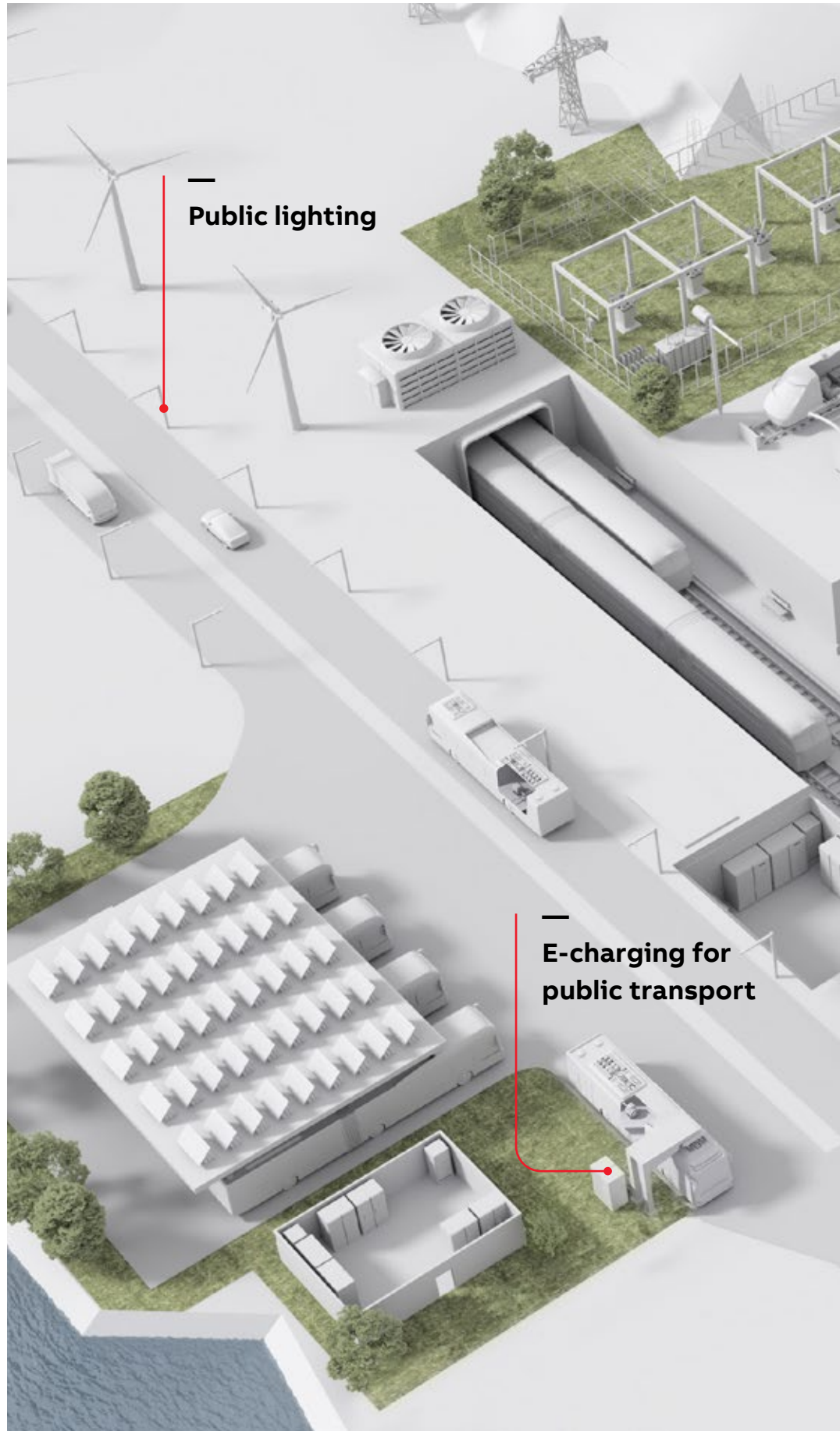
Safe and reliable electrical distribution

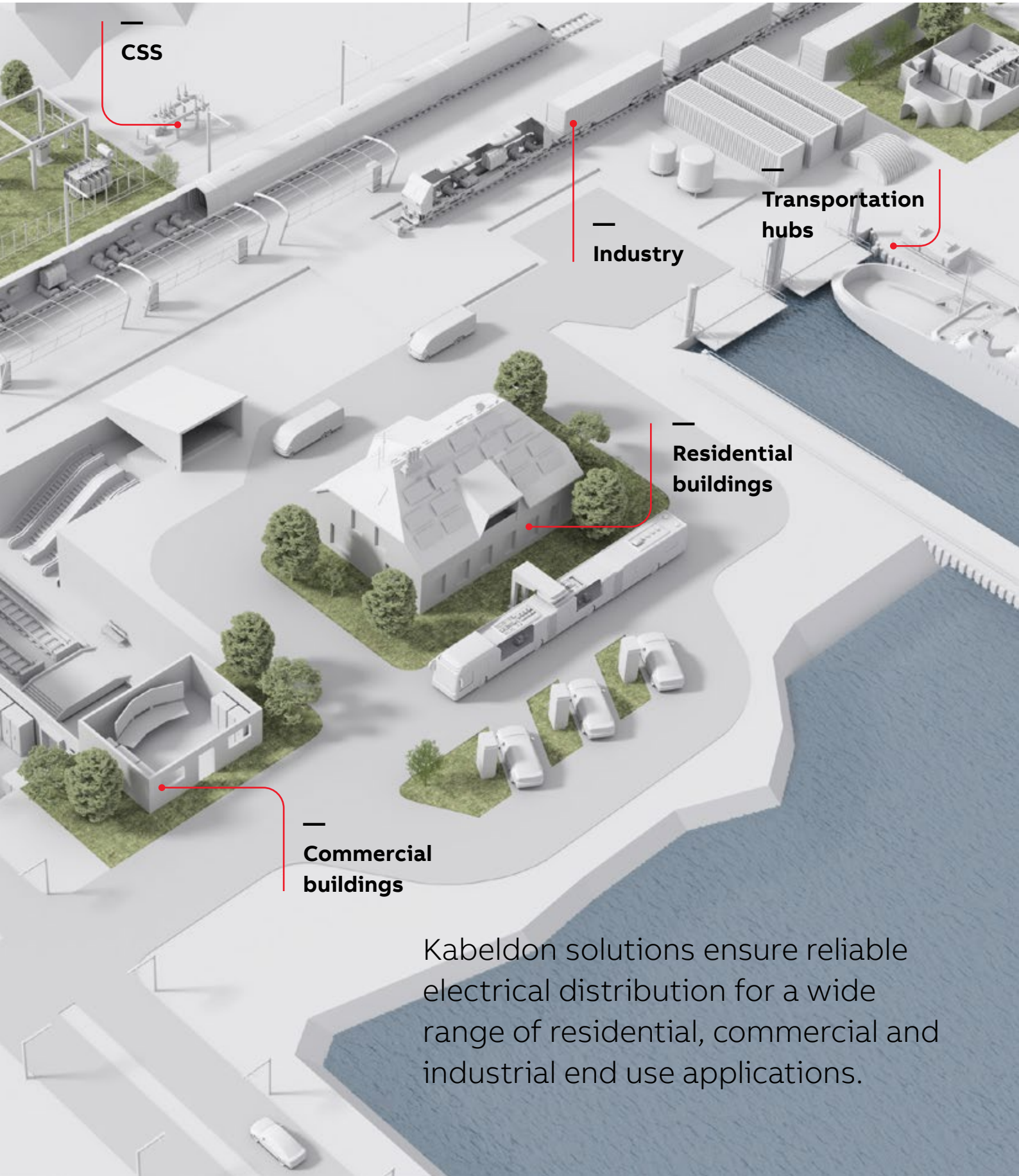
Typical applications for Kabeldon low voltage distribution systems

The Kabeldon low voltage distribution system is a flexible system that can be used for a variety of applications, most often in public outdoor environments. It is an essential part of the electrical distribution infrastructure, which sets high demands in terms of reliability and continuous operation.

Examples of typical applications for the system include:

- Electrical supplies for buildings such as hospitals, hotels, shopping malls etc.
- Utility low voltage distribution networks
- Feeding pillars for electrical vehicle charging stations
- Main distribution boards for various types of industries
- Street and road lighting supplies
- As the low voltage part of Compact Secondary Substations





—
CSS

—
Industry

—
**Transportation
hubs**

—
**Residential
buildings**

—
**Commercial
buildings**

Kabeldon solutions ensure reliable electrical distribution for a wide range of residential, commercial and industrial end use applications.

Kabeldon Low Voltage Distribution System

A complete system offering for safe and reliable distribution

Kabeldon provides a complete low voltage distribution system consisting of cabinets, busbars, switching devices, connectors and a wide range of accessories that support a great variety of customer applications.

Cabinets

Empty and busbar mounted cabinets ranging from 400 A up to 1600 A in various sizes and configurations, for example:

- ground mounted
- floor mounted
- pole mounted
- integrated foundation
- separate foundation

Fuse switch disconnectors

Ranging from 63 A up to 400 A to be mounted in a cabinet and up to 630 A for wall mounting.

Busbars

Busbars from 400 A up to 1600 A for cabinet mounting and up to 2500 A for wall mounting.

Switches and molded case circuit breakers

Adapter plates for installation of ABB switch disconnectors, switch fuse disconnectors and circuit breakers onto the IP2X Kabeldon busbar system and installation in cabinets. These adapter plates provide great flexibility to the distribution system.

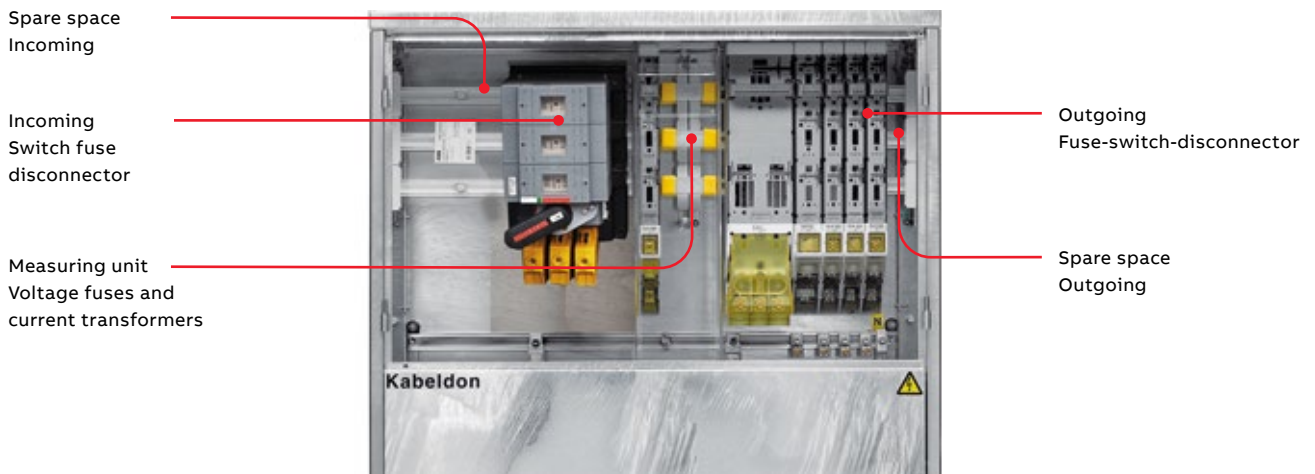
Connectors

Busbar connectors, insulated and non insulated for Cu/Al cables ranging up to 400 mm².

Accessories

A wide range of accessories in order to increase the flexibility of the system and meet market requirements, for example:

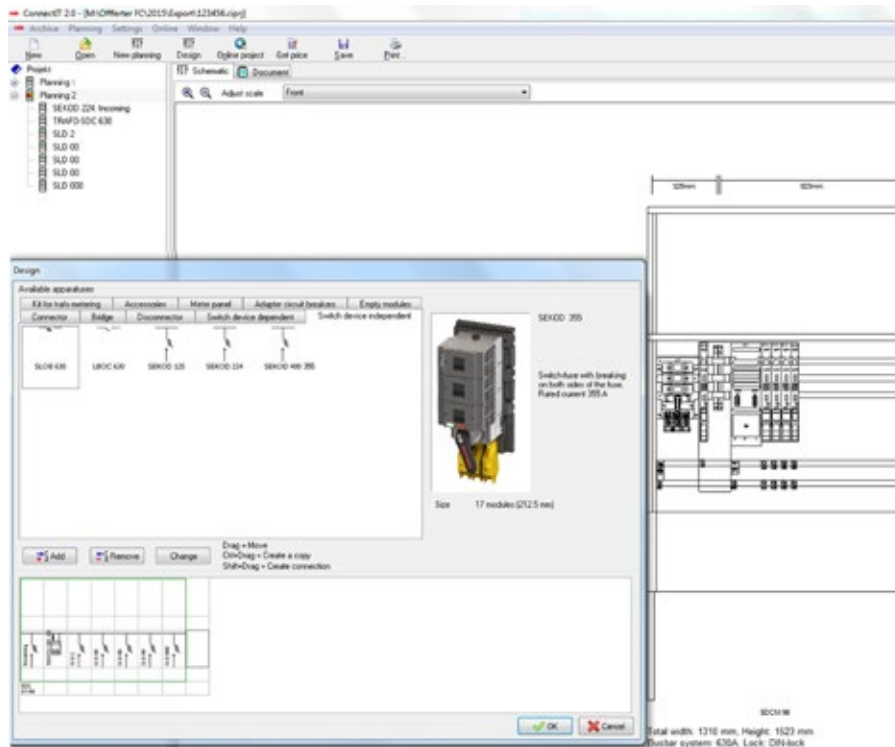
- Accessories for metering
- Busbar connection kits
- Mounting plates
- etc.



ConnectIT - Planning and Design tool

Speed up your planning, documentation and design process

The ConnectIT planning and design tool speeds up your project and saves valuable time when it comes to planning, documentation and design processes. It is a free software that enables you to design efficient solutions based on ABB Kabeldon's fusegear and cable distribution cabinet offering.



ConnectIT makes it easy to design solutions and to obtain details of its components as follows:

- Enclosures and accessories
- Switching devices and busbar connections
- Busbar system

ConnectIT generates structured information for ordering, planning and documentation

- Single-line diagram, to which addresses, cable data and other details can be added.
- Front panel sketch which can be used as a basis for component mounting.
- Bill of material list of the complete system

ConnectIT is easy to use and lets you to freely create any desired combination of switching devices and enclosures. The design is done quickly and simply, with the aid of pictures and text.

ConnectIT is available for free, download at www.abb.com



Kabeldon Low Voltage Distribution System

Conformative with international standards and directives

ABB Kabeldon low voltage distribution system is designed and manufactured to conform and comply with international standards and directives in areas such as safety, quality and environmental management.

Quality, safety and the environment

ABB Kabeldon products comply with the following EC directive:

- "Low-Voltage Directives" (LVD)
no. 2014/35/EU

ABB has certified management systems in compliance with the following international standards:

- ISO 9001 for quality management
- ISO 14001 for environmental management
- OHSAS 18001 for the management of the health and safety of employees in the workplace
- ISO 150001 for energy management

Enclosures

Kabeldon enclosures comply with the following international product standards:

- IEC 61439: Low voltage switchgear and control gear assemblies
 - Part 1: General rules
 - Part 5: Assemblies for power distribution in public networks
- Passes test for arctic climate

Kabeldon CDC and SDC enclosures are coated to protect against corrosion according to:

- ISO 1461: Inorganic coatings - Hot dip galvanized coatings on fabricated iron and steel articles - Specifications and test methods (ISO 1461:1999)

Kabeldon KSIK enclosures are designed for indoor use. They are made from powder coated steel and are suitable for environments of Class C1 and C2 according to:

- IEC ISO 12944: Paints and varnishes – Corrosion protection of steel structures by painting
 - Part 2: Classification of environmental conditions (ISO 12944-2:1998)



Degree of protection

- IEC 60529: IP Code
IP 34D unless otherwise stated under "technical data"

Switching devices

Kabeldon switching devices meet the following standards and requirements for switchgear:

- IEC 60947: Low voltage switchgear and control gear:
 - Part 1: General rules
 - Part 3: Switches, disconnectors, switch-disconnectors and fuse-combination units

Degree of protection

- IEC 60529: IP Code
IP 2X

Connectors

The connectors used in Kabeldon products comply with the following standard:

- IEC 61238: Compression and mechanical connectors for power cables for rated voltages up to 30 kV ($U_m = 36$ kV)
 - Part 1: Test methods and requirements

Degree of protection:

- IEC 60529: IP code
 - Insulated connectors IP 2X
 - Non-insulated connectors IP 00

Busbars

Degree of protection:

- IEC 60529: IP code
 - Insulated busbars IP 2X
 - Non-insulated busbars IP 00

Voltage testing

SLD and SLE devices have apertures designed for voltage testers conforming to:

- IEC 61243-3: Live working voltage detectors

Rated diversity factor

Kabeldon enclosures have an assigned RDF according to:

- IEC 61439: Low voltage switchgear and control gear assemblies

For switching devices mounted in a cable distribution cabinet or directly on the wall; the rated current must be reduced where there are parallel current paths.

Rated current for phase- and neutral busbars.

Number of main circuits	Rated diversity factor
2 and 3	0.9
4 and 5	0.8
6-9	0.7
10 and above	0.6

The stated rated current refers to the highest permitted current in any section of the busbar.

Tightening torque

The torque range depends of the conductor cross section, please see "technical data" for reference to the correct torque to apply to the conductor and the busbar for a reliable connection.

Connexion of cables

Stated connectable cable area range refers to connection with a stranded or solid Al/Cu conductor. When connecting a flexible conductor, reduce the maximum area by one area step.



The connectable area for parallel conductors is determined by dividing the maximum area by the number of parallel conductors and reducing by one area step e.g.: Max cable connection 300 mm^2 , $300/2 \rightarrow 150 \text{ mm}^2$ go down by one step $\rightarrow 120 \text{ mm}^2$.



Kabeldon IP-system

Table of contents

Kabeldon IP-system

14 Overview

Ordering information

16 Fuse switch disconnectors SLD

17 Disconnecter FD 3300

18 Accessories

20 Fuse switch disconnectors SLDL

21 Accessories

23 Switches SEKOD, SLOC, LBOD

24 Circuit breaker adapters APXT, CKXT

26 Accessories

27 Cable connectors AD

28 Accessories

29 Busbars KSFS, KSNS

30 Accessories

31 Busbar supports KSST, MSB & KLKB

32 Busbar systems for substations and wall installations KSFS, KSNS

33 Accessories

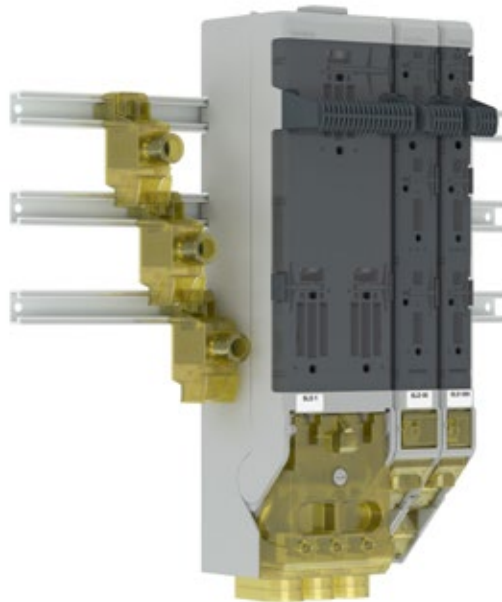
34 General accessories

35 Accessories for energy metering

Kabeldon IP-system

Busbars, switching devices and connectors for safe and reliable distribution

The Kabeldon IP-system consists of a unique screen-protected busbar together with a broad range of switching devices and connectors for optimal performance.



Safety and protection

Tested and verified for safety

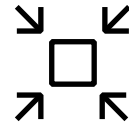
The Kabeldon IP-system is a full IP 2X system. The solution has been tested and verified as a complete system, including busbars, connectors, switches and cabinets. Changing fuses is made easy and safe thanks to a solution with a removable lid. All this ensures a high degree of safety during installation, maintenance and operation.



Easy to install

Modularity means ease

The Kabeldon IP-system's intuitive and user-friendly design ensures reliable and safe installation properties. The modular solution enables a high level of flexibility in terms of placing devices on the busbar and also adapting to new needs or expanding the installation.



Space saving

Smart compact design

The Kabeldon IP System is compact and modular, reducing the space required for installation down to a minimum. Switches, connectors and busbars are designed as a unified system, therefore enabling the creation of a compact solution. A wide range of connectors and switches help optimize the solution for a specific installation.



Ordering information

Fuse switch disconnectors SLD and SLE



SLD 63



SLD 000



SLD 00



SLE 1



SLE 2



SLD-FHD 000



SLD-FHD 00

Fuse switch disconnectors SLD and SLE

Fuse-switch disconnectors SLD and SLE fit in all available Kabeldon cable distribution cabinets.

Three-pole operated fuse switch disconnectors

Designation	ID number	NH Fuse size	Rated current				Width	Cable area	Weight
			400 V	690 V	800 V	1000 V			
			M=				12,5 mm	mm ²	kg/pcs
SLD 63	6305.0110.0	Diazed 63 A	63 A	-	-	-	3	1.5 ... 25	1.5
SLD 000	6305.0106.1	000	100 A	80 A	-	-	3	2.5 ... 95	1.7
SLD 00	6305.0107.1	00	160 A	160 A	-	-	4	2.5 ... 95	1.8
SLE 1	2CGD000840A1000	1	250 A	250 A	200 A	-	10	50 ... 300	3.2
SLE 2	2CGD000850A1000	2	400 A	355 A	250 A	40 A	12	50 ... 300	3.7

Single-pole operated fuse switch disconnectors

Designation	ID number	NH Fuse size	Rated current			Width	Cable area	Weight
			230 V	400 V	690 V			
			M=12,5 mm			mm ²	kg/pcs	
SLD-FHD 000	6305.0116.1	000	100 A	-	-	3	2.5 ... 95	1.8
SLD-FHD 00	6305.0117.1	00	160 A	-	-	4	2.5 ... 95	1.9

Ordering information

Disconnecter FD 3300

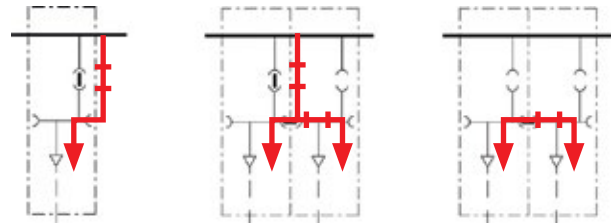
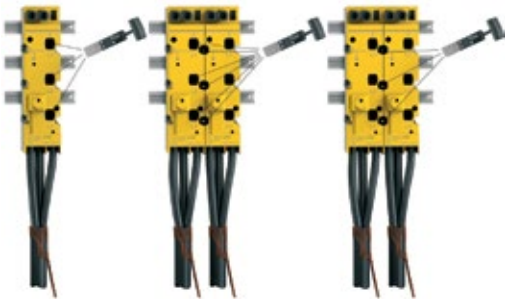


FD 3300

Disconnecter

The disconnector FD 3300 is designed for parallel use enabling the busbar system to be disconnected without stopping the current from the incoming cable passing through.

Designation	ID number	NH Fuse size	Rated current			Width	Cable area	Weight
			400 V	690 V	1000 V			
FD 3300	6303.0032.1	Linking knife	400 A	-	-	M=12,5 mm	50 ... 300	kg/pcs



Disconnecters are intended for single-pole breaking. By using the linking knives between adjacent disconnecters, the busbar system can be disconnected without stopping the current from the incoming cable passing through.

Ordering information

Accessories for Fuse switch disconnectors SLD and SLE and FD 3300



JDDA 000



JDDA 00



JDDE 1



JDDE 2



FHH



FHHD-A 000



PHE 2



FHD 000



FHD 00

Earthing devices

Used for grounding of cables.

Designation	Suitable for	ID number	Rated data	Weight kg/pcs
JDDA 000	SLD 000	6319.0375.1	6.1 kA/1s.	2.2
JDDA 00	SLD 00	6319.0376.1	6.1 kA/1s.	2.3
JDDE 1	SLE 1	2CGD001090A1000	13.0 kA/1s.	2.7
JDDE 2	SLE 2	2CGD001091A1000	16.0 kA/1s.	3.0

Handles

Detachable handle and adapter for fuse switch disconnectors SLD. With the FHHD-A solution the depth is reduced by 35 mm.

Designation	Suitable for	ID number	Rated data	Weight kg/pcs
FHH	SLD-FHD, FHD, FHHD-A	4305.0404.0	-	0.02
FHHD-A 000	SLD 000	5305.0205.0	-	0.02
FHHD-A 00	SLD 00	5305.0204.0	-	0.03

Parallel handles

Used for parallel operation of two fuse switch disconnectors SLE 2.

Designation	Suitable for	ID number	Weight kg/pcs
PHE 2	SLE 2 in enclosures CDC, SDC and CSS	2CGD000860A1000	1.4

Fuse holders

Replaces the cover to SLD to enable single-pole breaking. The kit contains three single-pole fuseholders with handle.

Designation	Suitable for	ID number	Rated data	Weight kg/pcs
FHD 000	SLD 000	5305.0225.0	100 A	0.1
FHD 00	SLD 00	5305.0226.0	160 A	0.1

Ordering information

Accessories for Fuse switch disconnectors SLD, SLE and FD 3300



KN 00



KNB 2



KFBD



KSBD 00



KSBD 2



STM 400



ADP 300



PDA 10-50



PBA 63

Linking knives

Used when switching with linking knife, delivered in packages of 3 pcs.

Designation	Suitable for	ID number	Rated data	Weight kg/pcs
KN 00	SLD 000, SLD 00, SLD-FHD 000, SLD FHD 00	5319.0319.0	160 A	0.3
KNB 2	SLE 2	5319.0321.0	500 A	0.6

Blocking devices

Used for blocking the phases in the fuse switch disconnector.

Designation	Suitable for	ID number	Rated data	Weight kg/pcs
KFBD	FD 3300	6319.0112.1	-	0.1
KSBD 00	SLD 000, SLD 00	6319.0109.1	-	0.3
KSBD 2	SLE 1, SLE 2	6319.0110.1	-	0.3

Connectors

STM 400 includes a conductor rail with connector for current transformer metering, the dimensions of the conductor rails are 25x13 mm. ADP 300 is intended for connection of parallel conductors.

Designation	Suitable for	ID number	Rated data	Weight kg/pcs
STM 400	SLE 1, SLE 2	6309.0026.0	400 V, 400 A	0.4
ADP 300	SLE 1, SLE 2	6309.0035.0	690 V, 630 A	0.8

Gauge piece and seal cover

Gauge pieces are delivered in set of 3, seal cover in set of 1.

Designation	Suitable for	ID number	Color	Rated data	Weight kg/pcs
PDA 10	SLD 63	5305.0131.0	Red	10 A	0,01
PDA 16	SLD 63	5305.0130.0	Grey	16 A	0,01
PDA 20	SLD 63	5305.0129.0	Blue	20 A	0,01
PDA 25	SLD 63	5305.0128.0	Yellow	25 A	0,01
PDA 35	SLD 63	5305.0127.0	Black	35 A	0,01
PDA 50	SLD 63	5305.0126.0	White	50 A	0,01
PBA 63	SLD 63	5305.0301.0	Transparent yellow	-	0,01

Ordering information

Fuse switch disconnectors SLDL



SLDL 2



SLDL 3



SLDL 3-1P



SLDL with cable connection from above.

Fuse switch disconnectors SLDL

SLDL is used in low voltage parts of substations or for busbar systems installed directly on walls and is available in both 3-pole and 1-pole operation. For wall and CSS installations, SLDL cannot be installed in Kabeldon cable distribution cabinets.

To enable cable connection from above, the rear section of the switch can be reversed 180°. The cable may be connected with terminal clamps or cable lugs, terminal clamps to be ordered separately.

Three-pole operated fuse switch disconnectors

Designation	ID number	NH Fuse size	Rated current			Width	Cable area	Weight
			400 V	690 V	1000 V			
SLDL 2	6305.0242.0	2	400 A	400 A	100 A	M=12,5 mm	mm ²	kg/pcs
SLDL 3	6305.0240.0	2, 3	630 A	500 A	100 A	8	35 ... 240	6.4

Single pole operated fuse switch disconnectors

Designation	ID number	NH Fuse size	Rated current			Width	Cable area	Weight
			230 V	400 V	690 V			
SLDL 2-1P	6305.0243.0	2	400 A	400 A	100 A	M=12,5 mm	mm ²	kg/pcs
SLDL 3-1P	6305.0241.0	2, 3	630 A	500 A	100 A	8	35 ... 240	6.2

Ordering information

Accessories for Fuse switch disconnectors SLDL



TCS 35-240



TCD 50-240

Terminal clamp sets

TCS intended for single cable connection and TCD for parallel cable connection. Delivered in sets of 3 pieces.

Designation	Suitable for	ID number	Cable area mm ²	Weight kg/pcs
TCS 35-240	SLDL	5305.0279.0	See table	0.5
TCD 50-240	SLDL	5305.0280.0	See table	0.8

Terminal clamp	Fits to cable with	Cable area mm ²
TCS 35-240	sector-shaped stranded conductor	35-240
	sector-shaped solid conductor	35-240
	round stranded conductor	16-185
	round solid conductor	16-240
TCD 50-240	sector stranded conductor	2//95-240
	sector solid conductor	2//120-240
	round stranded conductor	2//50-185
	round solid conductor	2//70-240

Protective hood

Used when connecting cable from above.



CS SLDL

Designation	Suitable for	ID number	Weight kg/pcs
CS SLDL	SLDL	6305.0244.0	0.05

Ordering information

Accessories for fuse switch disconnectors SLDL



PHDL

Parallel handle

Handle for parallel operation of two SLDL simultaneously.

Designation	Suitable for	ID number	Weight kg/pcs
PHDL	SLDL 2, SLDL 3	6305.0249.0	0.2



KNB 2

Linking knife

Replaces the fuse for switching with linking knife. Linking knife is delivered in sets of 3 pieces.

Designation	Suitable for	ID number	Weight kg/pcs
KNB 2	SLDL	5319.0321.0	0.6



KSBD 2

Blocking device

Used for blocking the phases in the fuse switch disconnectors. Blocking device is delivered in sets of 3 pieces.

Designation	Suitable for	ID number	Weight kg/pcs
KSBD 2	SLDL	6319.0110.1	0.3

Ordering information

Switches SEKOD, SLOC, LBOD



SEKOD 125



SEKOD 224



SEKOD 355



SLOC 630

For increased flexibility, a number of switches for mounting onto the Kabeldon busbar system are available.

Switch fuse disconnectors

Switch fuse disconnecter, breaking on both sides of the fuse. 3-pole breaking with sealing possibility.

Designation	Suitable cabinet range	ID number	Fuse size	Rated current		Width M=12,5 mm	Cable area mm ²	Weight kg/pcs
				Open air 400 / 690 V	Enclosed 400 / 690 V			
SEKOD 125	all	6305.0233.0	00	160 A	125 A	12	50 ... 300	5.0
SEKOD 224	SDC, KSIK	6305.0234.1	1	250 A	224 A	17	50 ... 300	5.2
SEKOD 355	SDC, KSIK	6305.0235.1	1, 2	400 A	355 A	17	50 ... 300	8.2
SLOC 630	SDC, KSIK	6305.0250.0	3	615 A	540 A	27	-	14.5



LBOD 800



LBOD 1000



LBOD 1600

Switch disconnectors

Section switch-disconnector without fuse.

Designation	Suitable cabinet range	ID number	Fuse size	Rated current		Width M=12,5 mm	Cable area mm ²	Weight kg/pcs
				Open air 400 / 690 V	Enclosed 400 / 690 V			
LBOD 800	SDC, KSIK	6305.0252.0	-	785 A	680 A	29	-	11.1
LBOD 1000	SDC, KSIK	6305.0253.0	-	1000 A	950 A	29	-	16.6
LBOD 1600	SDC, KSIK	6305.0254.0	-	1325 A	1250 A	38	-	19.8

Ordering information

Circuit breaker adapters for XT1-4

A number of adapter plates for circuit breakers are designed for mounting onto the Kabeldon busbar system in order to increase the flexibility. The circuit breaker must be ordered separately.



APXT 4 kit

Circuit breaker adapters for ABB SACE XT-range

Adapter plate and Kabeldon insulated connectors can be ordered together as one kit for circuit breaker ABB SACE MCCB Tmax XT2 and XT4.

Designation	Suitable cabinet range	ID number	Rated current		Width M=12,5 mm	Cable area mm ²	Weight kg/pcs
			Open air	Enclosed			
			400 / 690 V	400 / 690 V			
APXT 2 kit	all	2CGD000218A1000	160 A	160 A	10	50 ... 300	2.1
APXT 4 kit	all	2CGD000219A1000	250 A	220 A	10	50 ... 300	2.2

Circuit breaker adapters for ABB SACE XT-range

Suitable for circuit breaker type ABB SACE MCCB Tmax XT1, XT2, XT3 and XT4.

Designation	Suitable cabinet range	ID number	Rated current		Width M=12,5 mm	Cable area mm ²	Weight kg/pcs
			Open air	Enclosed			
			400 / 690 V	400 / 690 V			
APXT 1	all	2CGD000208A1000	135 A	125 A	10	-	1.2
APXT 2	all	2CGD000211A1000	160 A	160 A	10	-	1.3
APXT 3	all	2CGD000212A1000	230 A	200 A	10	-	1.3
APXT 4	all	2CGD000213A1000	250 A	220 A	10	-	1.3



APXT 1...4

Kabeldon insulated connectors for circuit breakers

Kabeldon insulated connectors for circuit breaker type ABB SACE MCCB Tmax XT1, XT2, XT3 and XT4. To be used together with APXT adapter plate.

Designation	Suitable cabinet range	ID number	Rated current		Width M=12,5 mm	Cable area mm ²	Weight kg/pcs
			Open air	Enclosed			
			400 / 690 V	400 / 690 V			
CKXT 1	all	2CGD000204A1000	135 A	125 A	10	50 ... 300	0.8
CKXT 2	all	2CGD000205A1000	160 A	160 A	10	50 ... 300	0.8
CKXT 3	all	2CGD000206A1000	230 A	200 A	10	50 ... 300	0.9
CKXT 4	all	2CGD000207A1000	250 A	220 A	10	50 ... 300	0.9



CKXT 1...4

Ordering information

Circuit breaker adapter for XT5 and connection kits for XT6-7

Circuit breaker adapter for ABB SACE XT5

Suitable for circuit breaker type ABB SACE MCCB Tmax XT5.
Circuit breaker to be ordered separately.

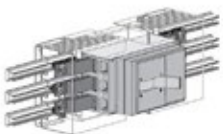


APXT 5

Designation	Suitable cabinet range	ID number	Rated current		Width	Cable area	Weight
			Open air	Enclosed			
			400 / 690 V	400 / 690 V	M=12,5 mm	mm ²	kg/pcs
APXT 5	SDC, KSIK	2CGD000806A1000	515 A	450 A	12	50 ... 300	4.0

Circuit breaker connection kits for ABB SACE XT6 and XT7

Adapter kits for ABB XT6 and XT7 moulded case circuit breakers. Consists of copper flanges, fasteners and plastic cover. A section of the busbars needs to be cut and removed. Circuit breaker is rotated 90 degrees and placed in between the busbars.
Circuit breaker to be ordered separately.



CKXT 6/7

Designation	Suitable cabinet range	ID number	Rated current		Width	Cable area	Weight
			Open air	Enclosed			
			400 / 690 V	400 / 690 V	M=12,5 mm	mm ²	kg/pcs
CKXT 6	SDC, KSIK	2CGD001024A1000	715 A	630 A	38	-	16.1
CKXT 6+	SDC, KSIK	2CGD001025A1000	850 A	760 A	38	-	16.1
CKXT 7	SDC, KSIK	2CGD001026A1000	1150 A	930 A	42	-	16.1

Ordering information

Accessories for switches and breaker adapters



ILM 125



ILM 224



ILM 355

Interlocking mechanism

Mechanical interlocking mechanism for SEKOD. Preventing activation of a SEKOD if the other one is not in the OFF-position.

Designation	Suitable for	ID number	Rated data	Weight kg/pcs
ILM 125	SEKOD 125	6309.0036.0	-	0.3
ILM 224	SEKOD 224	6309.0032.1	-	0.8
ILM 355	SEKOD 355	6309.0034.0	-	0.6



PSM 224

Parallel mechanism

Parallel handle for the connection and disconnection of two parallel mounted SEKOD 224.

Designation	Suitable for	ID number	Rated data	Weight kg/pcs
PSM 224	SEKOD 224	6309.0031.1	-	0.7



KN 00



KN 1

Linking knife

Replaces the fuse for switching with linking knife. Linking knife is delivered in sets of 3 pieces.

Designation	Suitable for	ID number	Rated data	Weight kg/pcs
KN 00	SEKOD 125	5319.0319.0	160 A	0.3
KN 1	SEKOD 224, SEKOD 355	5319.0345.0	400 A	0.6



ADP 300

Insulated connector

Insulated connector for parallel conductors circuit breakers ABB Tmax T5.

Designation	Suitable for	ID number	Rated data	Weight kg/pcs
ADP 300	KLAP T5	6309.0035.0	400 V, 535 A	0.8

Ordering information

Cable connectors AD



Cable connectors

Cable connectors ranging up to 400 mm² are available for mounting in the Kabeldon IP system. A wide range of different types of connectors to enable the most optimal solution for every specific installation.

Insulated connectors with degree of protection IP 2X

Designation	ID number	Rated current	Width	Cable area	Weight
			M=12,5 mm	mm ²	kg/pcs
Single cable connection					
ADI 95	2CGD000499A1000	250 A	2	1.5 ... 95	0.1
ADI 300	2CGD000503A1000	630 A	3	50 ... 300	0.2
AD 400	6303.0267.1	630 A	3	50 ... 400	0.5
Parallel cable connection					
AD 2150	2CGD000310A1000	400 A	3	35...2//150	0.2
Compact fitting of ADI 300. (3 pcs of ADI 300 needs to be ordered separately.)					
ADI 3M	2CGD000692A1000	630 A	3	50 ... 300	0.3
STM 400 includes conductor rail with connector for current transformer metering, dimensions of conductor rails are 25x13 mm. ADP 300 is intended for connection of parallel conductors.					
STM 400	6309.0026.0	400 A	3	50 ... 300	0.4
ADP 300	6309.0035.0	630 A	3	2 x 50 ... 300	0.8

Non-insulated connectors with degree of protection IP 00

Designation	ID number	Rated current	Width	Cable area	Weight
			M=12,5 mm	mm ²	kg/pcs
To be used with non-insulated busbars. AD 350 for connecting three separate conductors.					
ADC 25	6303.0233.0	63 A	1	1.5 ... 25	0.1
ADU 95	2CGD000498A1000	250 A	2	1.5 ... 95	0.1
ADO 240	6303.0263.1	400 A	3	70 ... 240	0.3
ADU 300	2CGD000502A1000	630 A	3	50 ... 300	0.2
AD 350	6303.0262.0	400 A	4	3 x 6 ... 50	0.2

Ordering information

Accessories for cable connectors AD



KSBH 300

Connector accessories

KSBH 300 intended for cover of disconnected cable with ADI 300 or AD 2150.

Designation	Description	Suitable for	ID number	Rated data	Weight
KSBH 300	Protection cover	ADI 300, AD 2150	6319.0111.1	-	0.3

Ordering information

Busbars KSFS, KSNS

Busbar system KSFS, KSNS

Kabeldon busbar system, available as a fully IP 2X protected busbar system, available in different lengths. Busbars up to a rated current of 1600 A are available for mounting in cable distribution cabinets and up to 2500 A for wall and compact secondary station installations.

Busbars with protection against accidental contact, 400-1600 A IP2X



Designation	ID number	Rated current	Width		Weight
			M = 12,5 mm	mm	
KSFS 420	2CGD000785P0284	400 A	20	284	0.2
KSFS 440	2CGD000785P0534	400 A	40	534	0.3
KSFS 443	2CGD000785P0569	400 A	43	569	0.3
KSFS 448	2CGD000785P0636	400 A	48	636	0.4
KSFS 460	2CGD000785P0784	400 A	60	784	0.5
KSFS 463	2CGD000785P0809	400 A	63	809	0.5
KSFS 473	2CGD000785P0950	400 A	73	950	0.6
KSFS 640	2CGD000787P0534	630 A	40	534	0.5
KSFS 643	2CGD000787P0569	630 A	43	569	0.5
KSFS 648	2CGD000787P0636	630 A	48	636	0.6
KSFS 660	2CGD000787P0784	630 A	60	784	0.7
KSFS 663	2CGD000787P0809	630 A	63	809	0.7
KSFS 673	2CGD000787P0950	630 A	73	950	0.9
KSFS 698	2CGD000787P1264	630 A	98	1264	1.1
KSFS 1098	2CGD000788P1264	1000 A	98	1264	2.0
KSFS 10126	2CGD000788P1600	1000 A	126	1600	2.6
KSFS 10181	2CGD000788P2300	1000 A	181	2300	3.7
KSFS 1698	2CGD000790P1264	1600 A	98	1264	3.8
KSFS 16126	2CGD000790P1600	1600 A	126	1600	4.8
KSFS 16149	2CGD000790P1890	1600 A	149	1890	5.7
KSFS 16181	2CGD000790P2300	1600 A	181	2300	6.9

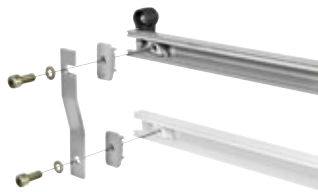
Busbars without protection against accidental contact, 400-1000 A IP 00



Designation	ID number	Rated current	Width		Weight
			M = 12,5 mm	mm	
KSNS 420	4332.0192.0	400 A	20	250	0.2
KSNS 440	4332.0193.0	400 A	40	585	0.4
KSNS 443	4332.0052.1	400 A	43	569	0.3
KSNS 460	4332.0194.0	400 A	60	784	0.5
KSNS 463	4332.0053.1	400 A	63	809	0.5
KSNS 473	4332.0196.0	400 A	73	900	0.5
KSNS 498	4332.0190.0	400 A	98	1214	0.7
KSNS 498 KSIK	4332.0195.0	400 A	98	1266	0.8
KSNS 640	2CGD000979P0583	630 A	40	583	0.5
KSNS 660	2CGD000979P0833	630 A	60	833	0.8
KSNS 1098	4332.0169.0	1000 A	98	1212	3.0
KSNS 1098 KSIK	4332.0343.0	1000 A	98	1264	3.7
KSNS 10126	4332.0163.0	1000 A	126	1600	1.7
KSNS 10149	4332.0164.0	1000 A	149	1890	1.9
KSNS 10181	4332.0165.0	1000 A	181	2300	2.0

Ordering information

Accessories for busbar system



5-WIRE SYSTEM -
TN-S, TN-C-S



AB 800-53,
AB 1200-53,
AB 1200-70



KSNSV 410

5-wire system

Kit for conversion to 5-wire system, TN-S or TN-C-S. The kit includes a 400 A non-protected busbar. For additional information regarding an upgrading kit for 1000 A or for use in enclosure type KSIK, contact your supplier.

Designation	Suitable for	ID number	Width		Weight
			M = 12,5 mm	mm	
C 20-TNS	CDC 20	5331.0613.0	20	333	0.6
C 40-TNS	CDC 40	5331.0614.0	40	583	0.7
C 60-TNS	CDC 60	5331.0615.0	60	833	0.9
SD 48-TNS	SDC 48	5332.0208.0	48	584	0.9
SD 73-TNS	SDC 73	5332.0219.0	73	898	1.7
SD 98-TNS	SDC 98	5332.0209.0	98	1212	1.2
KD 43-TNS	KSIK 43	5332.0210.0	43	570	0.6
KD 63-TNS	KSIK 63	5332.0211.0	63	810	0.7
KD 98-TNS	KSIK 98	5332.0212.0	98	1270	1.0

Connection kit for rear busbar connection

For connection to the back of the busbar; fits KSFS 1000 A and KSFS 1600 A bars. The kit includes: plastic cover, thread insert, M12/M16 length 53 respectively 70 mm, connecting washer, flat washer, Ø 36 mm, compression washer, Ø 29 mm, nut, M12. Cable lug is not included in the kit.

Designation	ID-number	Rated data	Diameter	Length of thread insert	Weight
			mm	mm	
AB 800-53	5303.0500.0	500 V, 800 A	26	53	0.1
AB 1200-53	5303.0501.0	500 V, 1200 A	37	53	0.1
AB 1200-70	5303.0502.0	500 V, 1200 A	37	70	0.1

Vertical PEN bar

Vertical PEN-bar, used in enclosures where there is not enough space on the PEN bar.

Designation	ID number	Dimensions			Weight
		Height mm	Width mm	Depth mm	
KSNSV 410	6312.0002.0	160	36	72	0.3

Double PEN busbar kit

Complementary kit for 5 wire system. Includes isolators/busbar support to fix N-bar, bridge piece and components to connect PE-bar to N-bar to create double PEN. No busbars included.

Designation	ID-number	Suitable for busbar	Weight
AB 800-53	5303.0500.0	600 A	-
GSD-TNS-1000 SDC/KSIK	2CGX053320205	1000 A	0.3

Ordering information

Busbar supports KSST, MSB, KLKB



Busbar supports

Designation	Suitable for		ID number	Free space behind busbar mm	Weight kg/pcs
	Busbar	Enclosure			

Busbar supports for CDC, SDC and wall mounted installations.

KSST 316	400 A, 630 A, 1000 A, 1600 A	wall	5332.0104.0	9	0.5
KSST 316/23	400 A, 630 A, 1000 A, 1600 A	SDC / wall	5332.0106.0	23	0.8
KSST 316/100	400 A, 630 A, 1000 A, 1600 A	wall	5332.0105.0	100	1.1
KSST-CDC	400 A, 630 A	CDC	5332.0231.0	15	0.4

Used in split and shortened busbar systems in CDC enclosures

KSST 36-CDC	400 A, 630 A	CDC	5332.0187.0	15	0.3
-------------	--------------	-----	-------------	----	-----

Middle support

In order to fulfill the requirements for short-circuit strength a middle support is mounted when the distance between two busbar supports exceeds 1.25 meters. Not required in Kabeldon standard enclosures unless they are built together with a throughgoing busbar system.

Designation	Suitable for Busbar support	ID number	Width	Free space behind busbar mm	Weight kg/pcs
MSB 316	KSST 316	5332.0201.0	1	9	0.5
MSB 316/23	KSST 316/23	5332.0202.0	1	23	0.8
MSB 316/100	KSST 316/100	5332.0203.0	1	100	1.5

Busbar bridge

Bar bridge to interconnect busbar systems between two enclosures.



Designation	Suitable for Enclosure	ID number	Rated current	Weight kg/pcs
KLKB-S 630	SDC	5309.0053.0	630 A	3.4
KLKB-S 1250	SDC	5309.0054.0	1250 A	6.6

Busbar bridge for PEN or PE+N busbar

B-S 400	SDC	2CGX053090057	630 A	3.4
B-S 1000	SDC	2CGX053090058	1000 - 1600 A	6.6

Ordering information

Busbar systems for substations and wall installations KSFS, KSNS

Busbar systems

Busbar system for substations and wall mounted installations. It is simple to connect the power supply on the rear side with connection washer AB 2500 CSS without any treatment of the busbar. Each busbar is lifted into place separately from the front, prior to attachment.



KSFS 2500 A



KSNS 2500 A

Designation	ID number	Rated current	Busbar width	Dimensions			Weight
				Height	Width	Depth	
			M = 12,5 mm	mm	mm	mm	kg/pcs

Insulated busbars.

Degree of protection IP2X

KSFS 25150 CSS	2CGD000791A1910	2500 A	150	70	1910	49	8.8
KSFS 25182 CSS	2CGD000791A2310	2500 A	182	70	2310	49	10.6

Non-insulated busbars.

Busbars for use as PEN, PE or N busbars. Degree of protection IP00.

KSNS 25150 CSS	4332.0501.0	2500 A	150	70	1910	49	8.8
KSNS 25182 CSS	4332.0500.0	2500 A	182	70	2310	49	10.6

Busbar supports



KSST 325 CSS



KSST 325 CSS-F



MSB 325 CSS

Designation	Suitable for	ID number	Width	Dimensions			Weight	
				Height	Width	Depth		
				M = 12,5 mm	mm	mm	mm	kg/pcs

Reinforced busbar support for wall mounting, includes an additional support for lateral movements.

KSST 325 CSS	KSFS 25XXX	5332.0251.0	-	365	43	114	2.4
--------------	------------	-------------	---	-----	----	-----	-----

Support for frame mounting. To be placed between two opposing walls, providing support for the busbars.

KSST 325 CSS-F	KSFS 25XXX	5332.0249.0	-	365	27	114	1.2
----------------	------------	-------------	---	-----	----	-----	-----

In order to fulfill the requirements for short-circuit strength normally a middle support is mounted when the distance between two busbar supports exceeds 1.25 meters.

MSB 325 CSS	KSFS 25XXX	5332.0250.0	2	365	19.5	114	1.2
-------------	------------	-------------	---	-----	------	-----	-----



Example of connection at the rear.



A complete installation as shown in this figure consists of two busbar supports, a middle support, three busbars and three connection washers.



Quick installation, each busbar is lifted into place separately from the front prior to attachment.

Ordering information

Accessories for wall installations KSFS, KSNS



AB 2500 CSS



ADR



TC

Busbar accessories

Designation	ID number	Rated data	Weight
			kg/pcs
For connection at the rear of CSS 2500 A busbar			
AB 2500 CSS	5332.0248.0	690 V, 2500 A	0.3
Connector kit for connection to the front of the busbar, with M8 or M10 thread.			
ADR M8	6303.0239.0	500 V, 630 A	0.1
ADR M10	6303.0240.0	500 V, 630 A	0.1
For connection to the front of the busbar, with Ø12 hole.			
ADR H12	6303.0259.0	500 V, 630 A	0.1

Connection clamps

Designation	ID number	Cable area	Busbar		Dimensions			Weight
			Width	Thickness	Height	Width	Depth	
		mm ²	mm	mm	mm	mm	mm	kg/pcs
TC 120-20	6303.0204.1	35 ... 120	20	3-5	60	32	22	0.08
TCD 185-25	6303.0206.1	2 x 50 ... 185	25	4-6	75	48	30	0.2

Ordering information

General accessories



TFU 25



PSFS 5, PSFS 17

Accessories

Designation	ID number	Rated data	Cable area mm ²	Dimensions			Weight kg/pcs
				Height mm	Width mm	Depth mm	

Temporary outlet, to be mounted directly on the busbar. Conductor cross section, max. 35 mm² Al/Cu. Diazed fuse max 25 A.

TFU 25	6314.0001.0	230 V, 25 A	1.5-35				0.3
--------	-------------	-------------	--------	--	--	--	-----

Plate for sealing phase bar

PSFS 5	5305.0143.0	-	-	230	60	25	0.1
PSFS 17	5305.0144.0	-	-	230	210	25	0.1

Ordering information

Accessories for energy metering



MPF 25 B,
MPF 63 B



CKM



KSKP 25,
KSKP 50



PBKP 25,
PBKP 50

Meter panel

For mounting in upper part of CDCM & SDCM.

Designation	Suitable for	ID number	Width	Dimensions			Weight
				Height	Width	Depth	
			M = 12,5 mm	mm	mm	mm	kg/pcs

Meter panel with terminal block KSKP.

MPF 63 B	CDCM, SDCM	5331.0738.0	17	130	600	250	5.0
MPF 25 B	CDCM, SDCM	5331.0737.0	17	130	600	250	5.0

Upgrade kit for installing meter panel MPF 25/63 B in accessory cabinet CDCA or in low-profile meter cable enclosures.

CKM	MPF 25/63	5339.0034.0	-	10	180	120	0.02
-----	-----------	-------------	---	----	-----	-----	------

Designation	Rated data	ID number	Cable area	Dimensions			Weight
				Height	Width	Depth	
	(only for SE catalogue)		mm ²	mm	mm	mm	kg/pcs

Terminal block

KSKP 25	500 V, 63 A	6313.0005.0	1.5-25	75	55	60	0.2
KSKP 50	400 V, 160 A	6313.0007.0	6-50	90	75	65	0.3

Seal cover

Seal cover for KSKP 25/50.

Designation	Suitable for	ID number	Width	Dimensions			Weight
				Height	Width	Depth	
			M = 12,5 mm	mm	mm	mm	kg/pcs
PBKP 25	KSKP 25	5305.0141.0	6	40	80	60	0.1
PBKP 50	KSKP 50	5305.0142.0	7	55	95	65	0.1

Ordering information

Accessories for energy metering

Current transformer metering

Complete kits for current transformer metering, to be used for 630 A or 1250 A. TRAFO-CD and TRAFO-SD contains:

- 1 kit Busbar bridges including busbar supports
- Fuse switch disconnecter SLD 000
- 2 Neutral terminals ADC 25
- 1 Seal cover

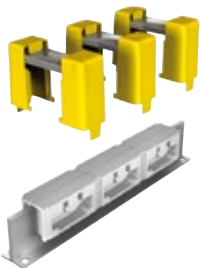


TRAFO-CD 630,
TRAFO-SD 630/1250

Designation	Suitable for	ID number	Width	Dimensions			Weight
				Height	Width	Depth	
			M = 12,5 mm	mm	mm	mm	kg/pcs
TRAFO-CD 630	CDC, CDCM, CDCP	6319.0392.0	13	730	160	195	5.5
TRAFO-SD 630	SDC, SDCM, KSIK	6319.0391.0	13	730	160	250	5.5
TRAFO-SD 1250	SDC, SDCM, KSIK	6319.0390.0	19	730	225	250	8.9

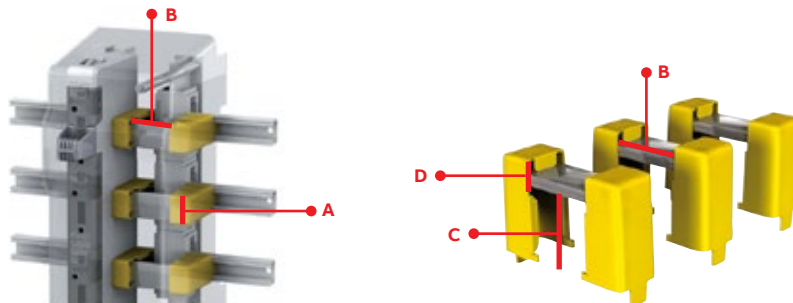
Busbar bridges

Busbar bridges including busbar supports for current transformer, for 630 A or 1250 A. May only be installed on voltage free busbar.



KSSM-S 630/1250

Designation	Suitable for	ID number	Width	Dimensions			Weight
				Height	Width	Depth	
			M = 12,5 mm	mm	mm	mm	kg/pcs
KSSM-S 630	SDC, SDCM, KSIK	6309.0017.0	9	321	115	126	2.7
KSSM-S 1250	SDC, SDCM, KSIK	6309.0018.0	15	321	192	137	6.1



Dimensions

Rated current	A	B	C	D
	mm			
630	30	50	40	10
1250	30	60	40	20



Kabeldon

Cable Distribution Cabinets

Table of contents

Cable Distribution Cabinets

40 Overview

Ordering information

44 Cable distribution cabinets CDC

46 Accessories

49 Cable distribution cabinets SDC

51 Accessories

53 Cable distribution cabinets KSIK

54 Accessory cabinet CDCA

55 Accessories

56 Telecom accessories

57 Locks and keys

Cable Distribution Cabinets

Safe and reliable electrical distribution

Kabeldon Cable distribution cabinets provide a robust and safe solution with uncompromised lifetime. The cabinet provides a number of significant benefits such as continuous operation, space saving and fast installation. These benefits are important for achieving low operating cost and high reliability in low voltage distribution systems.



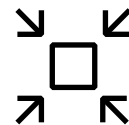
Continuous operation

Kabeldon cable distribution cabinets are designed specifically for outdoor usage and to withstand various environmental conditions. They have a prestigious track record for having a long lifetime and being reliable over time. Parts which are mounted below ground are reinforced with a polymer coating for heavy-duty corrosion protection. Verified to withstand external mechanical impacts according to IEC 61439, arctic climate.



Speeds up your project

The Kabeldon CDC range is delivered with ground foundations as an integral part of the design, no separate mounting is needed. The cabinet is fully assembled with busbars and busbar supports, complete and delivered from the factory, ready for direct installation. The flexible foundation legs enable easy installation in various conditions. The modular dimension system enables quick and easy calculation of the space required.



Space saving

The compact design of the cabinet is specifically designed to optimize the mounting of the Kabeldon IP system. There is an 85 mm distance between the phase minimized height occupation to ensure ease of installation. It is deliberately designed to be a discrete object in public environments, next to buildings, in parks etc.



⚡ 1519

⚡ BC2357

Kabeldon



Kabeldon

Kabeldon



Cable Distribution Cabinets

Installation combination examples

Kabeldon cable distribution cabinets can be installed and mounted as modules in a number of ways to maximize the flexibility and usability of the system.

CDC - a versatile range of enclosures with a timeless design

CDC was developed in close collaboration with users and meets the requirements for simplicity and flexibility. A number of practical functions make the installer's work easier. The cabinets can also be used for broadband systems using fibre-optic cables, for telecom installations and cable TV.

SDC - a versatile enclosure with extra depth

This enclosure is designed for both indoor and outdoor distribution boards. SDC is hot-dip galvanized and has a design that harmonizes well with the CDC series, so that the two can be used together. There is also a variant with a top section for metering or other equipment.

KSIK - powder coated enclosure for indoor usage

A suitable enclosure for indoor distribution boards e.g. in industry, buildings, sports facilities and warehouses. KSIK has openings on the sides to enable easy assembly of throughgoing busbar systems.



CDC 40 + SDC 98



SDC 48 + SDC 98



SDC 98 + SDCM 48



SDCM 48 + SDCM 98



CDC 40 + CDCA

Cable Distribution Cabinets

Safe and reliable electrical distribution

Modular system

All parts that can be connected to the busbar system have modular dimensions (one module M = 12.5 mm). This makes it easy to calculate the space required by a particular distribution board and then to choose a suitable enclosure.

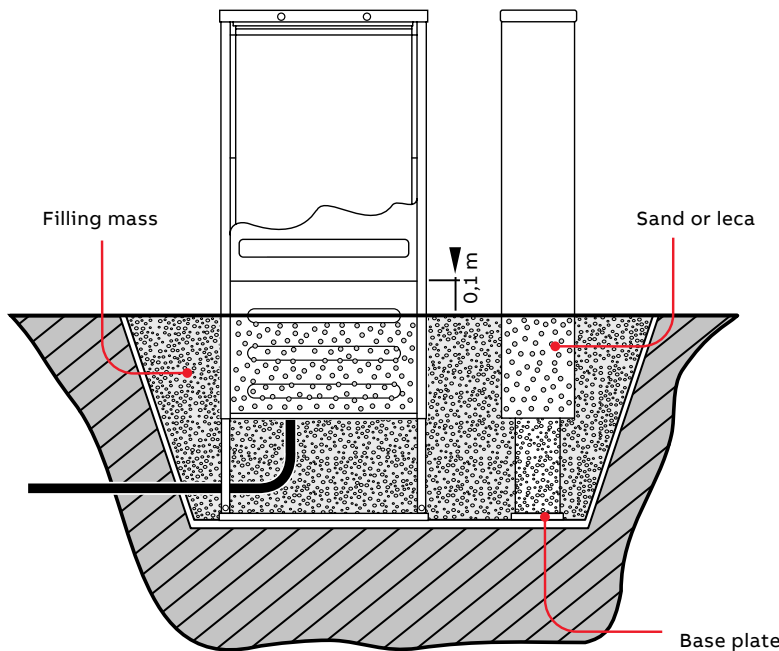
Type designation

CDC xyz (CDC = enclosure type. This may be replaced by SDC or KSIK).

- x = rated current
- 0 = cabinet without busbar system
- 4 = busbar system with rated current 400 A
- 6 = busbar system with rated current 630 A
- yz = number of modules available on the busbar (20, 40, 48 etc.)



Module dimensioned busbar system in the cable distribution cabinet.



To reduce the risk of condensation we recommend filling the foundation with sand, leca and/or using a damp barrier type Cxx-DB above the foundation.

Excavation depth

To ensure an attractive and functional installation in the ground, we recommend excavating to a depth at which about 10 cm of the foundation is visible above the restored surface. A marking label indicates the ground level.

Special operating conditions

With this type of installation, consideration must be given to the risk of condensation, dust, vibration and impacts.

All enclosures CDC and SDC have ventilation apertures between the cover plate and the door and between the door and the roof, both on the front and back of the enclosure.

Ordering information

Cable distribution cabinets CDC

Cable distribution cabinets CDC

The CDC range is optimized to fit the Kabeldon IP system, enabling a compact and safe solution for cable distribution cabinets. It is specifically designed to meet the requirements of outdoor usage in public environments. The CDC enclosures are delivered with foundations integrated ready for installation.



CDC 440

Cabinets with busbar system and integrated foundation.

Designation	ID number	Rated current	Busbar width	Dimensions			Lock	Weight
				Height mm	Width mm	Depth mm		
		400 / 690 V	M = 12,5 mm					kg/pcs
CDC 420	6330.0390.0	400 A	20	1200	350	220	CDC-LSE	34
CDC 440	6330.0391.0	400 A	40	1200	600	220	CDC-LSE	47
CDC 460	6330.0392.0	400 A	60	1200	850	220	CDC-LSE	59
CDC 640	6330.0394.0	630 A	40	1200	600	220	CDC-LSE	48
CDC 660	6330.0395.0	630 A	60	1200	850	220	CDC-LSE	60

Cabinets installed with mounting plate and integrated foundation.

Designation	ID number	Rated current	Busbar width	Dimensions			Lock	Weight
				Height mm	Width mm	Depth mm		
		400 / 690 V	M = 12,5 mm					kg/pcs
CDC 020	6330.0396.0	-	-	1200	350	220	CDC-LT	36
CDC 040	6330.0397.0	-	-	1200	600	220	CDC-LT	50
CDC 060	6330.0398.0	-	-	1200	850	220	CDC-LT	64
CDCF 020	2CGD000436A1000	-	-	1200	350	220	CDC-LTC	36
CDCF 040	2CGD000437A1000	-	-	1200	600	220	CDC-LTC	50
CDCF 060	2CGD000438A1000	-	-	1200	850	220	CDC-LTC	64



CDC 020

Ordering information

Cable distribution cabinets CDC

Cable distribution cabinets CDCM

Cabinets with an upper section that can be locked separately. CDCM 0X0 is delivered with steel mounting plate in the lower section.



CDCM 440

Designation	ID number	Rated current	Busbar width	Dimensions			Lock	Weight
				Height	Width	Depth		
		400 / 690 V	M = 12,5 mm	mm	mm	mm	Lower/upper	kg/pcs
CDCM 020	6330.0530.1	-	-	1800	350	220	CDC-LSE / CDC-LA	49
CDCM 040	6330.0608.0	-	-	1800	600	220	CDC-LSE / CDC-LA	68
CDCM 420	6330.0430.1	400 A	20	1800	350	220	CDC-LSE / CDC-LA	47
CDCM 440	6330.0609.0	400 A	40	1800	600	220	CDC-LSE / CDC-LA	65
CDCM 640	6330.0610.0	630 A	60	1800	600	220	CDC-LSE / CDC-LA	66

Cable distribution cabinets CDCP - pole mounted

Pole-mounted cabinets supplied with integral pole bracket, busbar system or mounting plate and a cable duct to the ground. On the back there is an opening for an earthing line and an opening for temporary connections. Breakouts for up to seven cable ducts. Screws for a wooden pole are included.



CDCP

Designation	ID number	Rated current	Busbar width	Dimensions			Number of cable ducts	Lock	Weight
				Height	Width	Depth			
		400 / 690 V	M = 12,5 mm	mm	mm	mm			kg/pcs
CDCP 020	6330.0621.0	-	-	1200	350	382	0 - 3	CDC-LSE	45
CDCP 040	6330.0622.0	-	-	1200	600	382	0 - 7	CDC-LSE	61
CDCP 420	6330.0428.0	400 A	20	1200	350	382	0 - 3	CDC-LT	43
CDCP 440	6330.0429.0	400 A	40	1200	600	382	0 - 7	CDC-LT	58



CDCP from the back



Integral pole bracket

Ordering information

Accessories for cable distribution cabinets CDC

Base plate

For stabilization of the foundation.

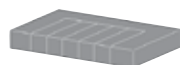


C40-BP

Designation	Suitable for	ID number	Dimensions			Weight kg/pcs
			Height mm	Width mm	Depth mm	
C 20-BP	CDC X20, CDCM X20	5331.0725.0	25	345	130	0.8
C 40-BP	CDC X40, CDCM X40	5331.0726.0	25	595	130	1.5
C 60-BP	CDC X60, CDCM X60	5331.0727.0	25	845	130	2.2

Damp barrier

To prevent moisture inside of the cabinet.



C20-DB

Designation	Suitable for	ID number	Dimensions			Weight kg/pcs
			Height mm	Width mm	Depth mm	
C 20-DB	CDC X20, CDCM X20	5331.0696.0	215	350	50	0.2
C 40-DB	CDC X40, CDCM X40	5331.0697.0	215	600	50	0.3
C 60-DB	CDC X60, CDCM X60	5331.0698.0	215	850	50	0.4

Marking pole

Marking pole made of strong steel and equipped with signal marking and reflective tape, delivered with screws.



KSPS 7

Designation	Suitable for	ID number	Dimensions			Weight kg/pcs
			Height mm	Width mm	Depth mm	
KSPS 7	CDC, CDCM, SDC, SDCM	6319.0146.0	1120	30	30	2.0
KSPS 8	CDC, CDCM, SDC, SDCM	6319.0147.0	1650	30	30	3.3

Ordering information

Accessories for cable distribution cabinets CDC



MPP 20



MPT 40

Mounting plate

To be mounted in the upper part of CDCM. MPP is made of steel and MPT is made of wood.

Designation	Suitable for	ID number	Dimensions			Weight kg/pcs
			Height mm	Width mm	Depth mm	
MPP 20	CDCM 20	5331.0665.0	540	270	20	2.0
MPP 40	CDCM 40	5331.0734.0	540	550	20	4.0
MPT 40	CDCM 40	5331.0724.0	550	550	35	1.9



BERG 250

Rock hold

Rock hold for cable distribution cabinets type CDC when installed in rocky ground.

Designation	Suitable for	ID number	Dimensions			Weight kg/pcs
			Height mm	Width mm	Depth mm	
BERG 250	CDC	6330.0649.0	370	130	30	1.9

Wall spacer and bracket

Used to mount the cabinet to a wall.



FV



VF 100

Designation	Suitable for	ID number	Dimensions			Weight kg/pcs
			Height mm	Width mm	Depth mm	
FV	CDC	6319.0225.1	50	85	135	1.9
VF 100	CDC, SDC	5331.0678.0	40	35	258	0.2

Ordering information

Accessories for cable distribution cabinets CDC



Cable channels with accessories

For usage with CDCP installation.

Designation	Suitable for	ID number	Dimensions			Weight kg/pcs
			Height mm	Width mm	Depth mm	
Cable channel 2 x 2.4 m with joining piece KKCS.						
KKC 5	CDCP	5319.0243.0	234	115	60	3.2
KKCS	CDCP	5319.0244.0	60	60	100	0.2
Cable channel holder for 1 to 3 cable channels.						
KHB 3	CDCP	6319.0245.0	110	270	185	0.3
Cable channel holder for 3 to 5 cable channels.						
KHB 5	CDCP	6319.0246.0	40	380	290	0.4
Cable channel holder for 5 to 7 cable channels.						
KHB 7	CDCP	6319.0279.0	740	400	50	0.6
Extra support for cable channel						
KKS	CDCP	6319.0286.0	290	510	60	0.4
Cable channel between pole mounted enclosures and ground.						
KK 500		2CGX053310721	500	262	180	
KK 1000		2CGX053310723	1000	262	180	

Bottom cover

For covering bottom of CDCP.



Designation	Suitable for	ID number	Dimensions			Weight kg/pcs
			Height mm	Width mm	Depth mm	
CDCP-TP	CDCP	5331.0728.0	16	280	191	0.6

Ordering information

Cable distribution cabinets SDC

Cable distribution cabinets SDC

The SDC range is suitable for electrical distribution applications such as main distribution boards, construction site distribution boards or for temporary power distribution. It adds flexibility to the distribution system with the possibility to install a broad range of switching devices such as switch fuses and moulded case circuit breakers. Foundation to be ordered separately.

Cabinets with busbar system included.

Designation	ID number	Rated current	Busbar width	Dimensions			Lock	Weight
				Height	Width	Depth		
			M = 12,5 mm	mm	mm	mm		kg/pcs
SDC 448	6330.0431.0	400 A	48	889	682	312	SDC-LT	48
SDC 473	6330.0552.0	400 A	73	889	996	312	SDC-LT	60
SDC 648	6330.0432.0	630 A	48	889	682	312	SDC-LT	49
SDC 673	6330.0553.0	630 A	73	889	996	312	SDC-LT	62
SDC 698	6330.0434.0	630 A	98	889	1310	312	SDC-LT	75
SDC 1048	6330.0458.0	1000 A	48	889	682	312	SDC-LT	50
SDC 1073	6330.0554.0	1000 A	73	889	996	312	SDC-LT	63
SDC 1098	6330.0459.0	1000 A	98	889	1310	312	SDC-LT	76
SDC 1648	6330.0460.0	1600 A	48	889	682	312	SDC-LT	50
SDC 1673	6330.0555.0	1600 A	73	889	996	312	SDC-LT	63
SDC 1698	6330.0461.0	1600 A	98	889	1310	312	SDC-LT	76
SDC 673 LD	6330.0635.0	630 A	73	889	996	242	SDC-LSE	59
SDC 698 LD	6330.0571.0	630 A	98	889	1310	242	SDC-LSE	73

Busbar systems 1600 A on request.

Cabinets with no busbar system included.

Designation	ID number	Rated current	Busbar width	Dimensions			Lock	Weight
				Height	Width	Depth		
			M = 12,5 mm	mm	mm	mm		kg/pcs
SDC 048	6330.0433.0	-	-	889	682	312	SDC-LT	46
SDC 073	6330.0551.0	-	-	889	996	312	SDC-LT	58
SDC 098	6330.0437.0	-	-	889	1310	312	SDC-LT	70

Mounting plate to be ordered separately.



SDC 448



SDC 073

Ordering information

Cable distribution cabinets SDC



SDCM 648

Cable distribution cabinets SDCM with upper section

Cabinets with an upper section that can be locked separately. SDCM 0XX is delivered without a busbar system in the lower section. Foundations to be ordered separately.

Designation	ID number	Rated current	Busbar width	Dimensions			Lock	Weight
				Height	Width	Depth		
			M = 12,5 mm	mm	mm	mm	Lower/upper	kg/pcs
SDCM 048	6330.0443.0	-	-	1523	682	312	SDC-LT / SDC-LA	72
SDCM 073	6330.0561.0	-	-	1523	996	312	SDC-LT / SDC-LA	92
SDCM 098	6330.0444.0	-	-	1523	1310	312	SDC-LT / SDC-LA	111
SDCM 448	6330.0435.0	400 A	48	1523	682	312	SDC-LT / SDC-LA	74
SDCM 473	6330.0562.0	400 A	73	1523	996	312	SDC-LT / SDC-LA	94
SDCM 648	6330.0436.0	630 A	48	1523	682	312	SDC-LT / SDC-LA	75
SDCM 673	6330.0563.0	630 A	73	1523	996	312	SDC-LT / SDC-LA	96
SDCM 698	6330.0438.0	630 A	98	1523	1310	312	SDC-LT / SDC-LA	116

Cable distribution cabinets with extra height

SDCH cabinets can be order both as an empty enclose or with a 1600 A busbar system. Mounting plate for empty enclosure (KSMP-SH) is ordered separately. SDCH cabinets can use a standard SDC foundation, which needs to be ordered separately.



SDCH 1673

Designation	ID number	Rated current	Busbar width	Dimensions (mm)			Lock	Weight (kg)
				Height	Width	Depth		
			M = 12.5 mm					
SDCH 048	2CGD000967A1000	-	-	1189	682	312	SDC-LT	61.5
SDCH 073	2CGD000968A1000	-	-	1189	996	312	SDC-LT	77.5
SDCH 098	2CGD000969A1000	-	-	1189	1310	312	SDC-LT	93.5
SDCH 1673	2CGD000965A1000	1600 A	73	1189	996	312	SDC-LT	90
SDCH 1698	2CGD000966A1000	1600 A	98	1189	1310	312	SDC-LT	109.5

Ordering information

Accessories for cable distribution cabinets SDC



MARK-S 48



GOLV-S 48

SDC foundations

For mounting of SDC cabinets. GOLV-S is intended for floor mounting and MARK-S for ground installation.

Designation	Suitable for	ID number	Dimensions			Weight kg/pcs
			Height mm	Width mm	Depth mm	
MARK-S 48	SDC X48, SDCM X48, SDCH X48	6330.0439.0	940	672	303	30
MARK-S 73	SDC X73, SDCM X73, SDCH X73	6330.0549.0	940	986	303	36
MARK-S 98	SDC X98, SDCM X98, SDCH X98	6330.0440.0	940	1300	303	42
MARK-S 73 LD	SDC 73 LD	6330.0636.0	940	986	233	36
MARK-S 98 LD	SDC 98 LD	6330.0572.0	940	1300	233	40
GOLV-S 48	SDC X48, SDCM X48, SDCH X48	6330.0441.0	400	672	303	23
GOLV-S 73	SDC X73, SDCM X73, SDCH X73	6330.0550.0	400	986	303	30
GOLV-S 98	SDC X98, SDCM X98, SDCH X98	6330.0442.0	400	1300	303	36

Base plate

Base plate to install on the bottom of the SDC foundations MARK-S or GOLV-S for improved stability.



S 48-BP

Designation	Suitable for	ID number	Dimensions			Weight kg/pcs
			Height mm	Width mm	Depth mm	
S 48-BP	SDC X48, SDCM X48, SDCH X48	2CGD000746A1000	22	657	206	2.4
S 73/93-BP	SDC X73/X98, SDCM X73/X98, SDCH X73/X98	2CGD000687A1000	22	657	206	4.6

Bottom Plate

To be used with wall mounted installation of SDC.



BPF-S 48

Designation	Suitable for	ID number	Dimensions			Weight kg/pcs
			Height mm	Width mm	Depth mm	
BPF-S 48	SDC X48, SDCM X48, SDCH X48	5331.0629.0	30	675	282	4
BPF-S 73	SDC X73, SDCM X73, SDCH X73	5331.0682.0	30	986	282	5
BPF-S 98	SDC X98, SDCM X98, SDCH X98	5331.0630.0	30	1300	282	6

Lower door

With outlet opening for temporary installations.



SLUS 48

Designation	Suitable for	ID number	Dimensions			Weight kg/pcs
			Height mm	Width mm	Depth mm	
SLUS 48	SDC X48, SDCM X48, SDCH X48	5331.0666.0	288	626	22	5
SLUS 73	SDC X73, SDCM X73, SDCH X73	5331.0684.0	288	940	22	8
SLUS 98	SDC X98, SDCM X98, SDCH X98	5331.0668.0	288	1254	22	10

Ordering information

Accessories for cabinets SDC



KSPS 7

Marking pole

Marking pole made of strong steel and equipped with signal marking and reflective tape.

Designation	Suitable for	ID number	Dimensions			Weight kg/pcs
			Height mm	Width mm	Depth mm	
KSPS 7	CDC, CDCM, SDC, SDCM	6319.0146.0	1120	30	30	2.0
KSPS 8	CDC, CDCM, SDC, SDCM	6319.0147.0	1650	30	30	3.3



MPP-S 48



MPT-S 48



KSMP-S 48

Mounting plates

To be mounted in the lower and upper part of SDC / SDCM. MPP and KSMP made of steel and MPT in wood. KSMP-X 48/73 is perforated with hole pitch 38 mm (Ø 3.5).

Designation	Suitable for	ID number	Dimensions			Weight kg/pcs
			Height mm	Width mm	Depth mm	
MPP-S 48	SDCM X48, SDCM X98	5319.0334.0	580	590	25	3.0
MPP-S 73	SDCM X73	5331.0735.0	580	860	25	7.0
MPT-S 48	SDCM X48, SDCM 98	5331.0647.0	580	600	35	2.2
MPT-S 73	SDCM X73	5331.0688.0	580	890	35	3.3
KSMP-S 48	SDC X48	5319.0332.1	780	660	21	5.0
KSMP-S 73	SDC X73	5319.0335.1	780	974	21	8.0
KSMP-S 98	SDC X98	5319.0333.1	780	1288	21	11.0
KSMP-SH 48	SDCH 48	2CGD001123A1000	1130	660	21	10
KSMP-SH 73	SDCH 73	2CGD001124A1000	1130	974	21	14.5
KSMP-SH 98	SDCH 98	2CGD001125A1000	1130	1288	21	18.5

Wall spacer and brackets

Used to mount the cabinet to a wall.



VF-S 30



FV



VF 100

Designation	Suitable for	ID number	Dimensions			Weight kg/pcs
			Height mm	Width mm	Depth mm	
VF-S 30	SDC	5331.0643.1	520	40	35	0.5
FV	CDC, SDC	6319.0225.1	50	85	135	1.9
VF 100	CDC, SDC	5331.0678.0	40	35	258	0.2

Ordering information

Indoor cable distribution cabinets KSIK

Indoor cable distribution cabinets

The KSIK range is designed for indoor usage and enables installation of a wide variety of switches. It is an enclosure with degree of protection IP 34D, well suited for installations in industry and buildings. The cabinet has openings in its side to allow busbars to pass through where more than one enclosure is combined.

- Suppled complete with wall brackets
- Powder coated
- Split base plate
- Flange openings, size FL 33 in each side panel
- Delivered with DIN lock

Cabinets with busbar system included.

Designation	ID number	Rated current	Busbar width	Dimensions			Weight
				Height mm	Width mm	Depth mm	
		400 / 690 V	M = 12,5 mm				kg/pcs
KSIK 443	6330.0414.2	400 A	43	900	655	325	45
KSIK 463	6330.0415.2	400 A	63	900	895	325	60
KSIK 643	6330.0416.2	630 A	43	900	655	325	48
KSIK 663	6330.0417.2	630 A	63	900	895	325	63
KSIK 698	6330.0418.2	630 A	98	900	1350	325	81
KSIK 1043	6330.0420.2	1000 A	43	900	655	325	51
KSIK 1063	6330.0421.2	1000 A	63	900	895	325	66
KSIK 1098	6330.0422.2	1000 A	98	900	1350	325	84
KSIK 1643	6330.0423.2	1600 A	43	900	655	325	54
KSIK 1663	6330.0424.2	1600 A	63	900	895	325	69
KSIK 1698	6330.0425.2	1600 A	98	900	1350	325	87



KSIK

Cabinets delivered with mounting plate.

Designation	ID number	Rated current	Busbar width	Dimensions			Weight
				Height mm	Width mm	Depth mm	
		400 / 690 V	M = 12,5 mm				kg/pcs
KSIK 043	6330.0411.1	-	43	900	655	325	42
KSIK 063	6330.0412.1	-	63	900	895	325	57
KSIK 098	6330.0413.1	-	98	900	1350	325	75

Ordering information

Accessory cabinets CDCA



CDCA

Accessory cabinets CDCA complement the Kabeldon cabinet portfolio with solutions that can be mounted on the side of standard CDC and SDC ranges. For example it enables installation of temporary power outlets, meter panels and mounting plates.

Accessory cabinet CDCA

- The cabinet includes a mounting plate.
- Outlet openings in the sides, the opening on the right side has a revolving seal with a choice of five openings. The seal can be moved to the left side.
- The bottom of the cabinet has an opening with integral strain relief for temporarily connected cables. When not in use, the opening is blanked off with the cover supplied.
- Inserts for temporary power outlets KSMU 16/32/63 can be installed in the cabinet, as well as meter panel MPF 25 B/MPF 63 B. Where meter panel MPF 25 B/ MPF 63 B is installed, upgrade kit CKM is required.



CDC 420

Designation	ID number	Dimensions			Lock	Weight
		Height mm	Width mm	Depth mm		
CDCA	6330.0451.0	730	280	218	CDC-LT	15 kg/pcs



KSMU 16/32/63

Accessory cabinet CDCA-BV

An accessory cabinet for mounting to, for example, a contact line post.

- The cabinet is provided with flange opening FL 13.
- Flange opening FL 21 at the bottom.
- The cabinet can be equipped with mounting plate KSM 417 or with busbar system KSM 417.
- Inserts for temporary power outlets KSMUB 16/32 can be installed in the cabinet, as well as meter panel MPF 25 B/MPF 63 B. Where meter panel MPF 25 B/ MPF 63 B is installed, upgrade kit CKM is required. Four angular brackets for mounting are included.



CDCA-BV

Designation	ID number	Dimensions			Lock	Weight
		Height mm	Width mm	Depth mm		
CDCA-BV	6330.0576.0	730	280	218	CDC-LT	13 kg/pcs

Ordering information

Accessories for cabinets CDCA



KSM 017



KSM 417



CKM



KSMUB 16, 32



KSFL 17

Accessories for CDCA

Designation	ID number	Dimensions			Weight kg/pcs
		Height mm	Width mm	Depth mm	
Mounting plate					
KSM 017	5331.0397.0	705	220	15	1.2
Mounting plate for 400A					
KSM 417	5331.0383.1	705	220	55	1.8
Upgrading kit for installing meter panel MPF 25/63 B in accessory cabinet CDCA or in low-profile meter cable enclosures.					
CKM	5339.0034.0	10	180	120	0.02
Temporary power outlets 1x16 + 2x10 A or 1x32 + 2x10A with residual current device, miniature circuit-breaker and space for a kWh meter. Strength of short circuit 6 kA in combination with equipment max 63 A.					
KSMUB 16	6330.0611.0	190	710	220	5.5
KSMUB 32	6330.0612.0	190	710	220	5.5
5-wire system for KSM 417					
KSFL 17	5332.0115.0	50	50	215	0.4

Ordering information

Telecom accessories



CC 20



CC 30



BK-T



BK-E



BK-N



CDCA-CD

Telecom accessories

For mounting in CDC and SDC ranges.

Designation	Suitable for	ID number	Dimensions			Weight kg/pcs
			Height mm	Width mm	Depth mm	
Cable coiler for 25 m of 13 mm OD cable						
CC 20	CDC, SDC	5331.0695.0	415	215	153	0.6
Cable coiler for 30 m of 16 mm OD cable						
CC 30	CDC, SDC	5331.0689.0	740	550	155	2.5
Bracket for fibre-optic cable junction box from Tykoflex						
BK-T	CDC, SDC	5331.0690.0	225	160	10	0.3
Bracket for fibre-optic cable junction box from Ericsson						
BK-E	CDC, SDC	5331.0691.0	167	167	10	0.4
Bracket for fibre-optic cable junction box from Nexans						
BK-N	CDC, SDC	5331.0694.0	295	198	10	0.6
Cable protection duct for fibre optic cables. Max cable diameter 25 mm inside cabinet, max diameter for optical fibre pipes is 45 mm.						
CDCA-CD	CDCA	5331.0705.0	380	240	66	2.3

Ordering information

Locks and keys



Locks

Locks suitable for cabinet ranges CDC and SDC.

Designation	Description	Suitable for	ID number	Weight
				kg/pcs
CDC-LA	Subscriber lock	CDC, CDCM	4331.0740.0	0.1
CDC-LD	DIN 3 lock	CDC, CDCM	4331.0742.0	0.1
CDC-LSE	SE lock	CDC, CDCM	4331.0743.0	0.1
CDC-LT	Triangular lock	CDC, CDCM	4331.0739.0	0.1
CDC-LTC	Lock for CDC/CDCM with equipment for telecommunication	CDC, CDCM	4331.1040.0	0.1
SDC-LA	Subscriber lock	SDC, SDCM	4331.0596.0	0.1
SDC-LD	DIN lock	SDC, SDCM	4331.0595.0	0.1
SDC-LSE	SE lock	SDC, SDCM	4331.0598.0	0.1
SDC-LT	Triangular lock	SDC, SDCM	4331.0597.0	0.1
SDC-LTC	Lock for SDC/SDCM with equipment for telecommunication	SDC, SDCM	4331.0599.0	0.1
CDC-CLA	Kit for fitting cylinder lock type ASSA Abloy/Trioving to CDC	CDC, CDCM	5331.0669.0	0.1
KSCA	Adaptor ring for ASSA Abloy lock	SDC, SDCM	5319.0278.0	0.1

Keys & Tools

Keys and Tools applicable for Kabeldon cabinets and Kabeldon IP system.

Designation	Description	Suitable for	ID number	Weight
				kg/pcs
KSNR 4	Key for subscriber lock	CDC-LA, SDC-LA	4319.0104.0	0.1
NK 3	Key for triangular lock with door opener	CDC-LT, CDC-LA, SDC-LT, SDC-LA	6319.0370.0	0.1
NK 30	Key for triangular lock and SE lock with door opener	CDC-LT, CDC-LA, SDC-LT, SDC-LA, CDC-LSE, SDC-LSE	6319.0369.0	0.1
NKD 3	Key for DIN lock	CDC-LD, SDC-LD	4319.0661.0	0.1
NK-TC	Key for lock for CDC-LTC and SDC-LTC with door opener	CDC-LTC, SDC-LSE, STC-LTC	6319.0373.0	0.1
VHB 68	Insulating hand tool 6 and 8 mm hexagon spanner. Fits torque wrench with 1/2" square peg	Kabeldon IP system	6309.0014.0	0.4



 		
Kabeldon	Kabeldon	Kabeldon

Distribution boards

Table of contents

Distribution boards

60 Overview

Ordering information

62 Distribution boards for energy metering CDCS, SDCS

64 Distribution boards for street lighting, GBC

65 Distribution boards for standby power, CDCR, SDCR

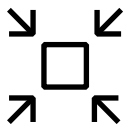
Ordering information accessories

66 Accessories for Distribution Boards

Distribution Boards

Safe and reliable electrical distribution

Kabeldon distribution boards are specifically designed for outdoor installations and they come as pre-assembled systems, ready to install. They combine the advantages of the flexible IP-system with robust and reliable distribution cabinets, and they deliver efficient use of space, quick installation and significant customer value.



Space saving

Free up floor space

By placing the distribution board outside instead of inside the building, interior floor space can be reserved for more valuable uses. Additionally, having the distribution board outside the building makes it easier to access for maintenance.



Speeds up your projects

Convenient and flexible

Pre-assembled Kabeldon solutions come ready for installation direct from the factory, which saves valuable time in both the planning and the installation phases. By complementing the solutions with the required outgoing groups the solution also provide great flexibility.



Affordable range

Cost effective by design

Locating the distribution board outdoors reduces costs for the building owners because there's no need for them to build and maintain a separate electrical room, compared to interior electrical installations.



Ordering information

Distribution boards for energy metering CDCS, SDCS



CDCS 25 M

CDCS 25 M
(without
termination
cover)

CDCS CM

Pre-assembled distribution board for direct kWh metering.

- Enclosure tested acc. to IEC 61439-1,-5.
- Cable terminals for Al/Cu 6-50 mm². Can be configured with bigger terminals on request.
- Terminals placed under sealable lid.
- 5+7 available DIN-modules for mounting of eg. MCB, RCCB or schuko plug.
- Accessory module CDCS CM enable space for extra 2x4 DIN-modules.
- Place for utility overvoltage protection under sealable lid.
- Temporary outlet on both sides of enclosure adjustable up to Ø 60 mm.

Designation	ID number	Rated current	Cable area	Dimensions			Lock	Weight
				Height mm	Width mm	Depth mm		
		A	mm ²					kg/pcs
CDCS 25 M	2CGD000658A1000	25	6 ... 50	1200	350	220	CDC-LA	42
CDCS 63 M	2CGD000659A1000	63	6 ... 50	1200	350	220	CDC-LA	42
CDCS CM	2CGD000660A1000			365	71	68		1

Pre-assembled distribution boards for direct kWh metering, complete with all essential components for connecting the service line feeder and also an outgoing cable.

- The service line feeder is to be connected to a terminal block for maximum 50 mm² Al/Cu conductors.
- Adapted to TN-C/-S.
- Switches for outgoing cables to be ordered separately.



CDCS 2520



CDCS 6320

Designation	ID number	Available space on busbar	Rated current	Dimensions			Lock	Weight
				Height mm	Width mm	Depth mm		
		M = 12,5 mm	A				Lower/upper	kg/pcs
CDCS 2520	6330.1145.0	20	25	1800	350	220	CDC-LD / CDC-LA	55
CDCS 6320	6330.1146.0	20	63	1800	350	220	CDC-LD / CDC-LA	55

Ordering information

Distribution boards for energy metering CDCS, SDCS



CDCS 12515



SDCS 12523



SDCS 25018



SDCS 25043



SDCS 35543



SDCS 63026



SDCS 63051

Pre-assembled distribution boards for transformer metering complete with all essential components for connecting the service cable, mounting a current transformer, terminal blocks and meter.

- Adapted to TN-C-S.
- Switches for outgoing cables to be ordered separately.
- Foundations to be ordered separately for SDCS.

Designation	ID number	Available space on busbar M=12,5mm	Rated current A	Dimensions			Lock	Weight kg/pcs
				Height mm	Width mm	Depth mm		
CDCS 12515	6330.1122.0	15	125	1800	600	220	CDC-LD / CDC-LA	79
SDCS 12523	6330.1123.0	23	125	1523	682	312	SDC-LD / SDC-LA	88
SDCS 35518	2CGD000731A1000	18	224	1523	682	312	SDC-LD / SDC-LA	94
SDCS 25043	6330.1125.0	43	224	1523	996	312	SDC-LD / SDC-LA	115
SDCS 35543	2CGD000364A1000	43	355	1523	996	312	SDC-LD / SDC-LA	88
SDCS 63026	2CGD000366A1000	26	630	1523	996	312	SDC-LD / SDC-LA	102
SDCS 63051	2CGD000365A1000	51	630	1523	1310	312	SDC-LD / SDC-LA	123

Ordering information

Distribution boards for street lighting, GBC

Pre-assembled lighting pillars are available in two variants; with or without astronomical clock. The service line feeder is to be connected to a terminal block for maximum 50 mm² Al/Cu conductors. Outgoing groups are controlled with a HAND-O-AUTO switch. Light relay or other control to be connected via built-in auxiliary relay.

- A meter panel and a contactor with rated current 63 A.
- Foundation for ground installation is included.
- Easy to make up with service outlet including residual current device.



GBC 6338

Designation	ID number	Available space on busbar M = 12,5 mm	Rated current A	Dimensions			Lock Lower/upper	Weight kg/pcs
				Height mm	Width mm	Depth mm		
GBC 6338	6330.1206.0	38	400 V, 63 A	1800	600	220	CDC-LD / CDC-LA	81
GBC 6338 UR	6330.1207.0	38	400 V, 63 A	1800	600	220	CDC-LD / CDC-LA	81

Ordering information

Distribution boards for standby power, CDCR, SDCR

A pre-assembled distribution board with standby power switch, inlet and metering is available in two variants:

CDCR 63 with direct kWh metering

SDCR 125 with transformer metering

- Complete with all essential components for connecting the service cable.
- The service line feeder is to be connected to a terminal block with maximum 50 mm² Al/Cu conductors.
- Adapted to TN-C-S.
- Switches for outgoing cables to be ordered separately.
- Foundation to be ordered separately for SDCR



CDCR 63



SDCR 125

Designation	ID number	Available space on busbar	Rated current	Dimensions			Lock	Weight
				Height mm	Width mm	Depth mm		
		M = 12,5 mm	A				Lower/upper	kg/pcs
CDCR 63	6330.1204.0	38	63	1800	740	220	CDC-LD / CDC-LA	95
SDCR 125	6330.1205.0	40	125	1523	1166	312	SDC-LD / SDC-LA	125

Ordering information

Accessories for distribution boards



MARK-S 48



GOLV-S 48



BPF-S 48

Foundations

Foundations suitable for outdoor distribution boards.

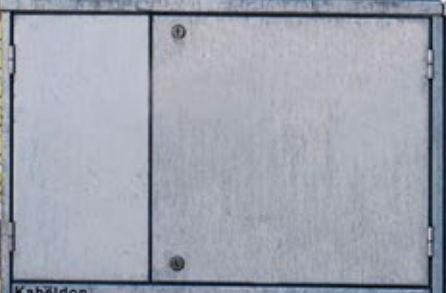
Distribution board service	Suitable foundation	Description	ID number
GBC 6338, CDCS 2520, CDCS 6320, CDCS 16015, CDCR 63, CDCS 25 M, CDCS 63 M	Integrated	–	–
SDCR 125	MARK-S 73	Ground mounted foundation	6330.0549.0
	GOLV-S 73	Floor mounted foundation	6330.0550.0
	BPF-S 73	Bottom plate	5331.0682.0
SDCS 16023 SDCS 25018	MARK-S 48	Ground mounted foundation	6330.0439.0
	GOLV-S 48	Floor mounted foundation	6330.0441.0
	BPF-S 48	Bottom plate	5331.0629.0
SDCS 25043 SDCS 63026 SDCS 35543	MARK-S 73	Ground mounted foundation	6330.0549.0
	GOLV-S 73	Floor mounted foundation	6330.0550.0
	BPF-S 73	Bottom plate	5331.0682.0
SDCS 63051	MARK-S 98	Ground mounted foundation	6330.0440.0
	GOLV-S 98	Floor mounted foundation	6330.0442.0
	BPF-S 98	Bottom plate	5331.0630.0

¹⁾ Choose also FV or VF-S 30.

²⁾ Flanges are not included.



Handwritten text on the building facade, possibly a name or address, partially obscured by the fence.



Kabeldon



Kabeldon

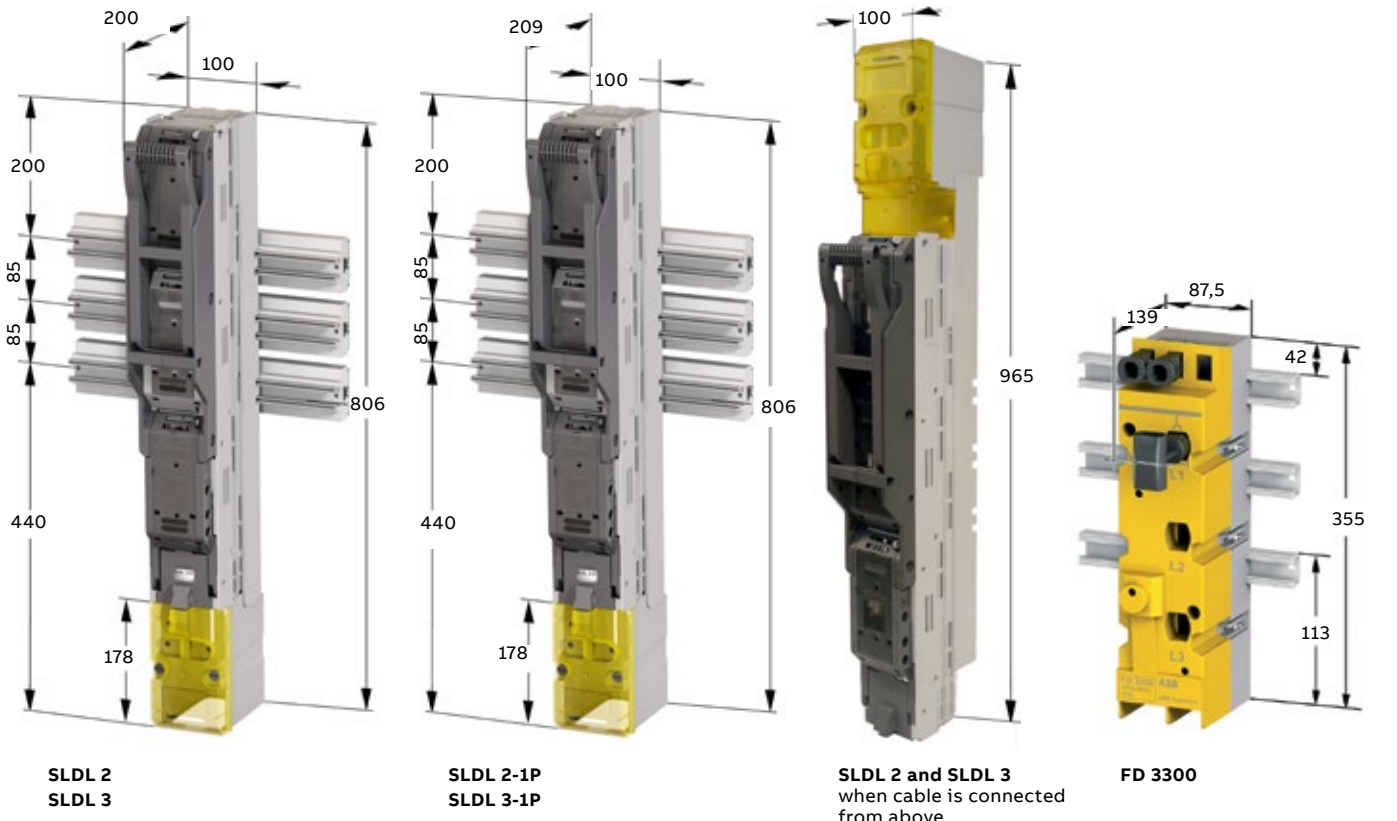
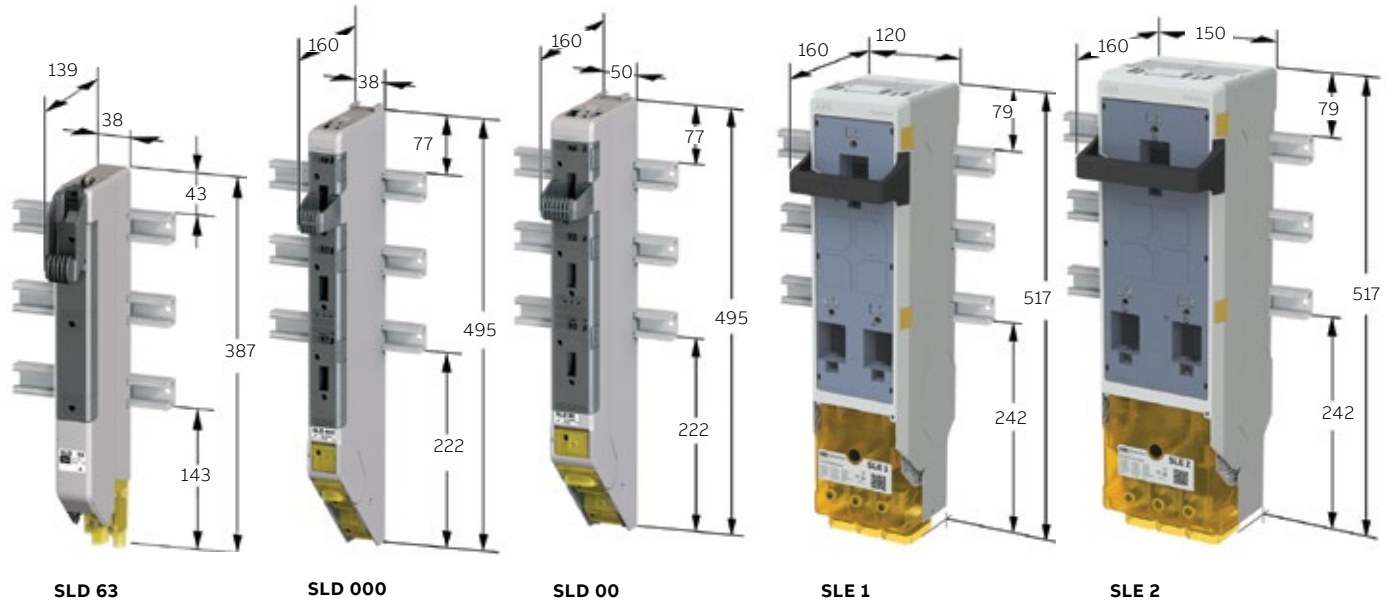
Dimension drawings

Table of contents

70	Fuse switch disconnectors SLD and SLDL
71	Switches SEKOD and LBOD
72	Connector range
74	Busbar and middle supports
76	Enclosures CDC, SDC
77	Enclosures KSIK, CDCM
78	Enclosures SDCM, CDCA, CDCP

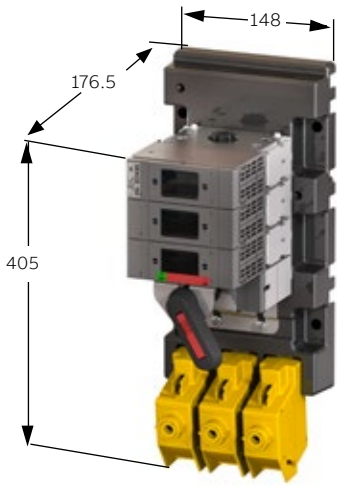
Dimension drawings

Fuse switch disconnectors SLD, SLE and SLDL

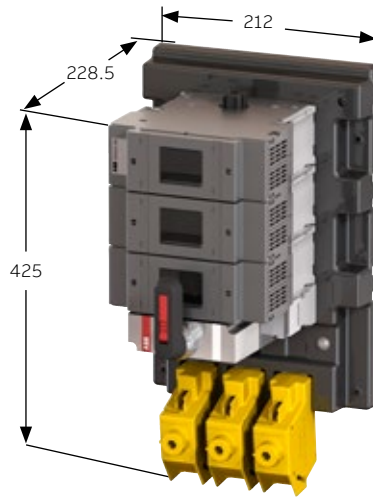


Dimension drawings

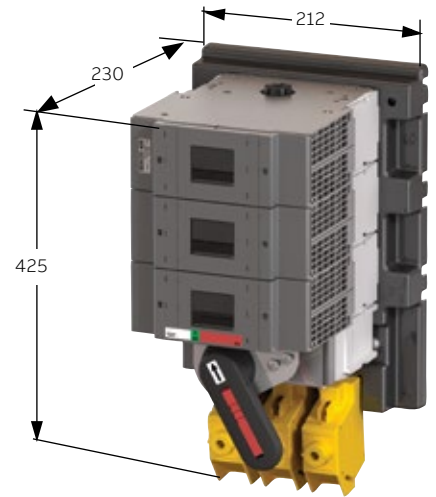
Switches SEKOD and LBOD



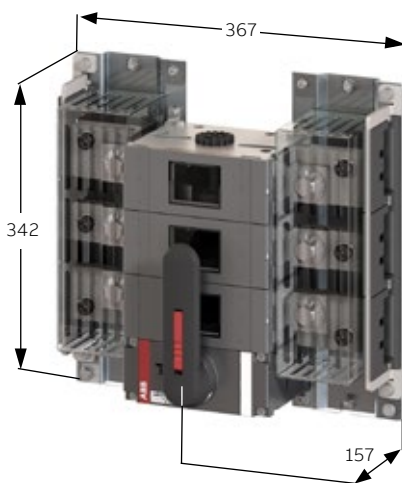
SEKOD 125



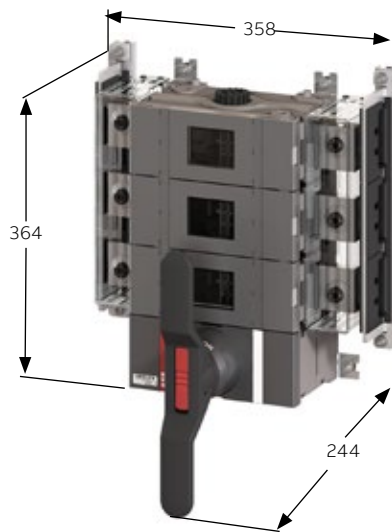
SEKOD 224



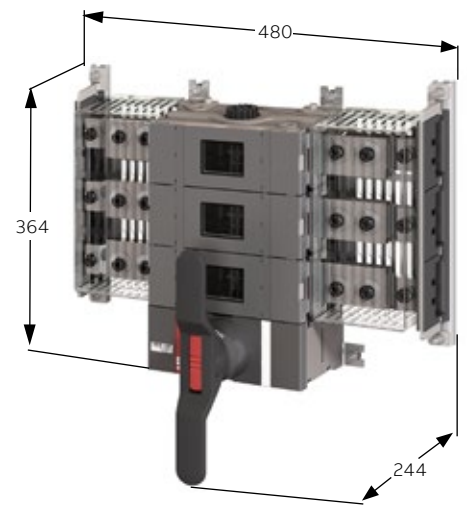
SEKOD 355



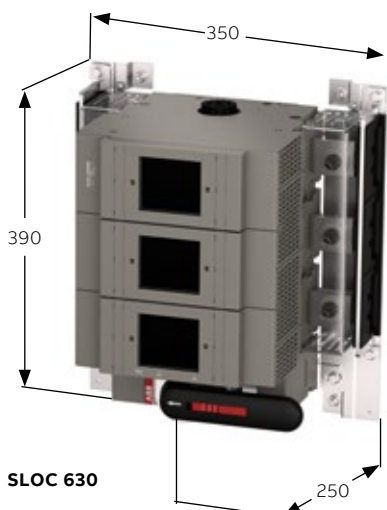
LBOD 800



LBOD 1000



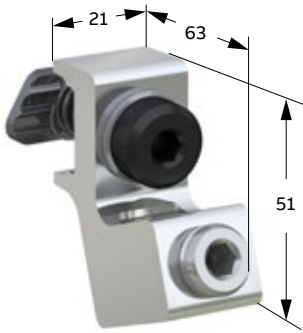
LBOD 1600



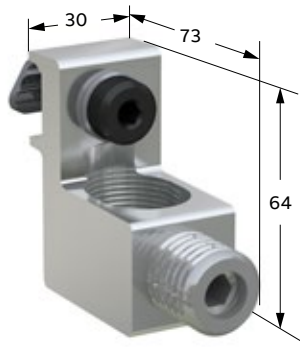
SLOC 630

Dimension drawings

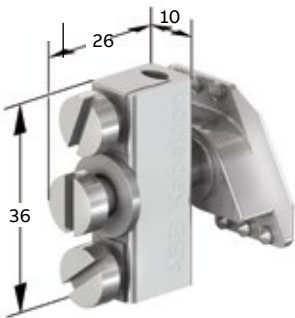
Connector range



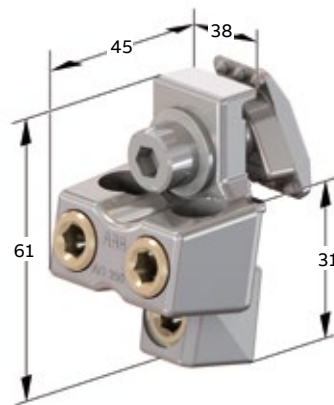
ADU 95



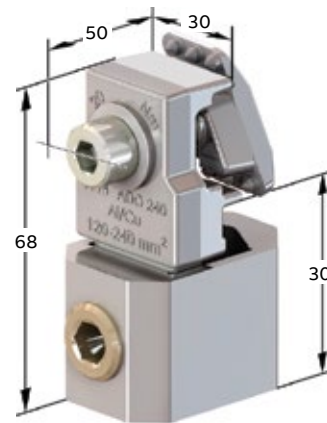
ADU 300



ADC 25

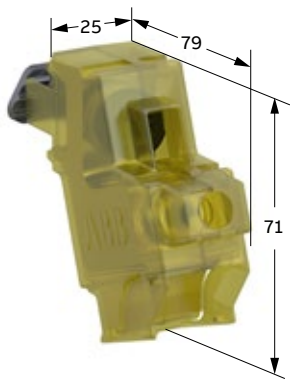


AD 350

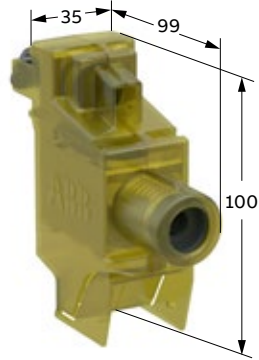


ADO 240

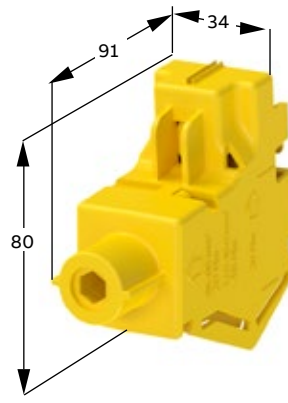
Dimension drawings
Connector range



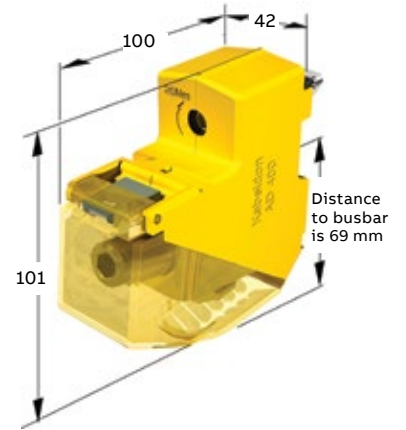
ADI 95



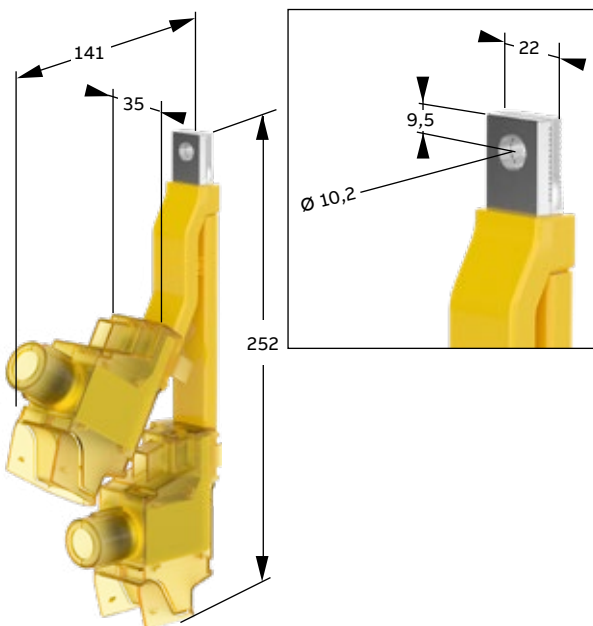
ADI 300



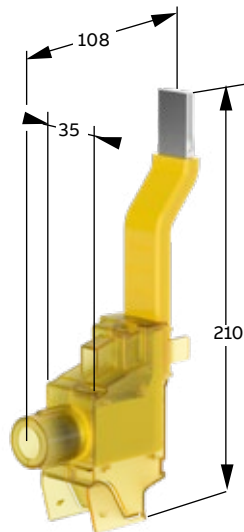
AD 2150



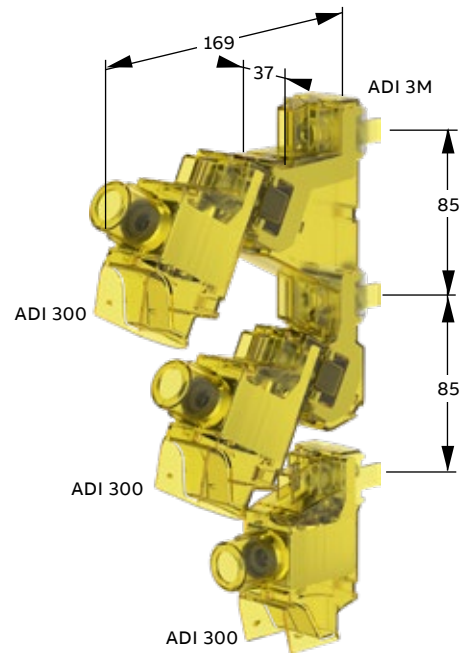
AD 400



ADP 300



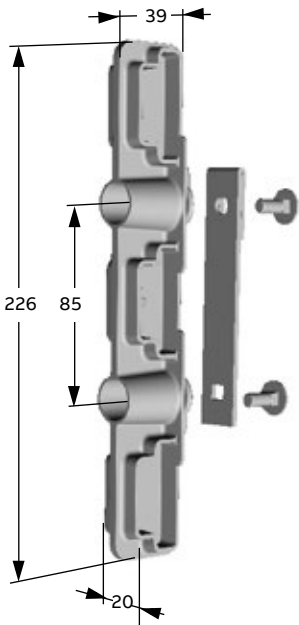
STM 400



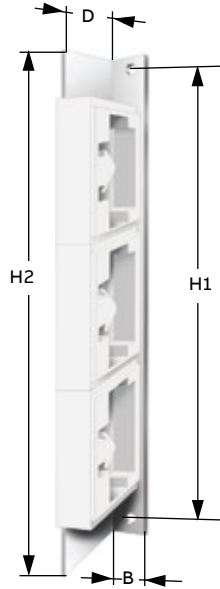
ADI 3M kit
including three ADI 300

Dimension drawings

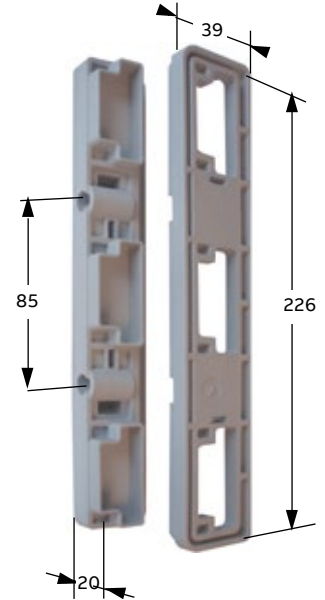
Busbar and middle supports



KSST 36-CDC

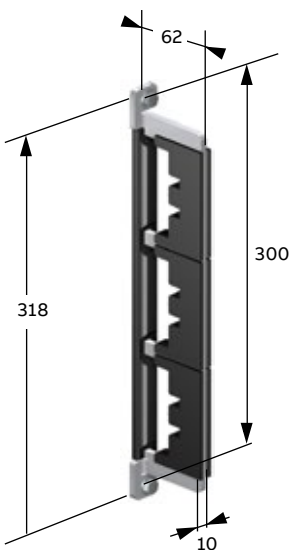


KSST 316, 316/23, 316/100

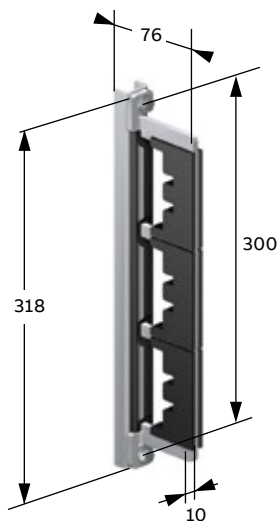


KSST-CDC

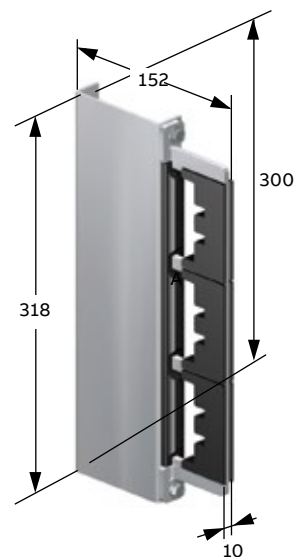
Designation	H1	H2	B	D
				mm
KSST 316	300	320	20	46
KSST 316/23	300	320	20	60
KSST 316/100	300	320	39	136



MSB 316



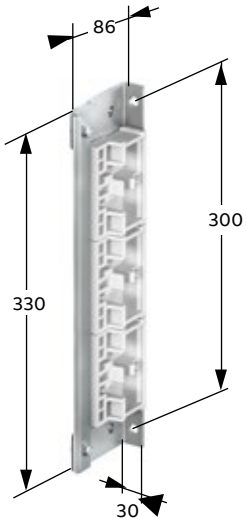
MSB 316/23



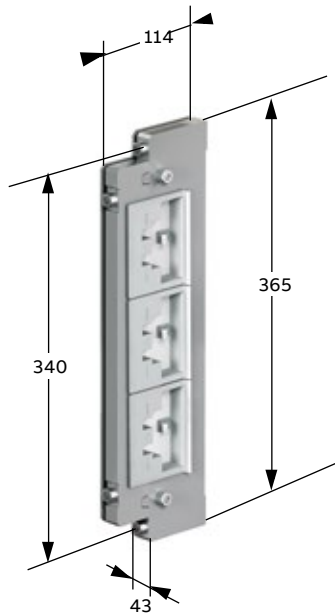
MSB 316/100

Dimension drawings

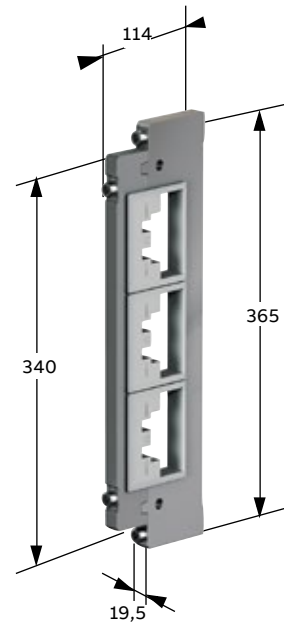
Busbar and middle supports



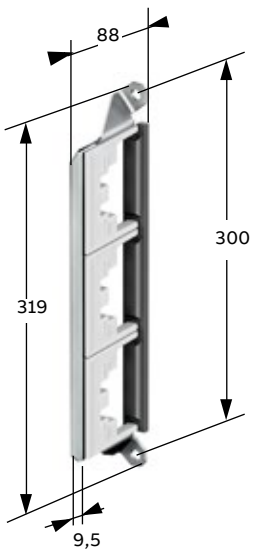
KSSTD 312/16



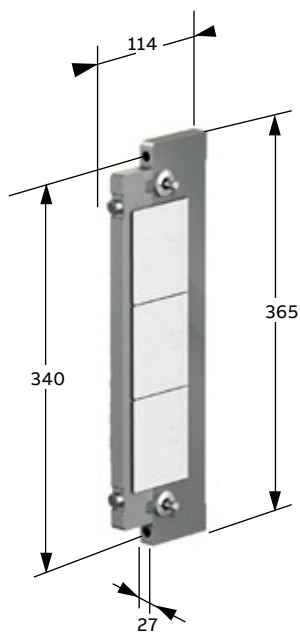
KSST 325 CSS



MSB 325 CSS



MSBD 312/16

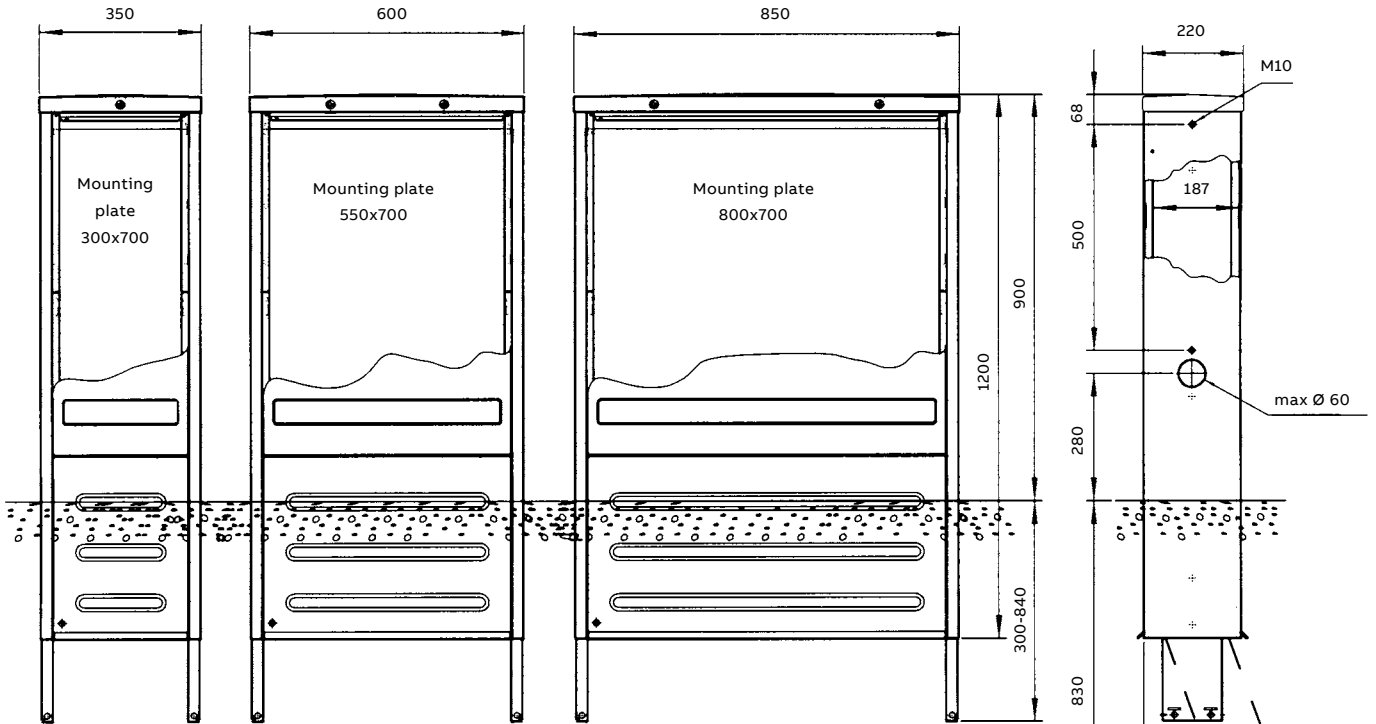


KSST 325 CSS F

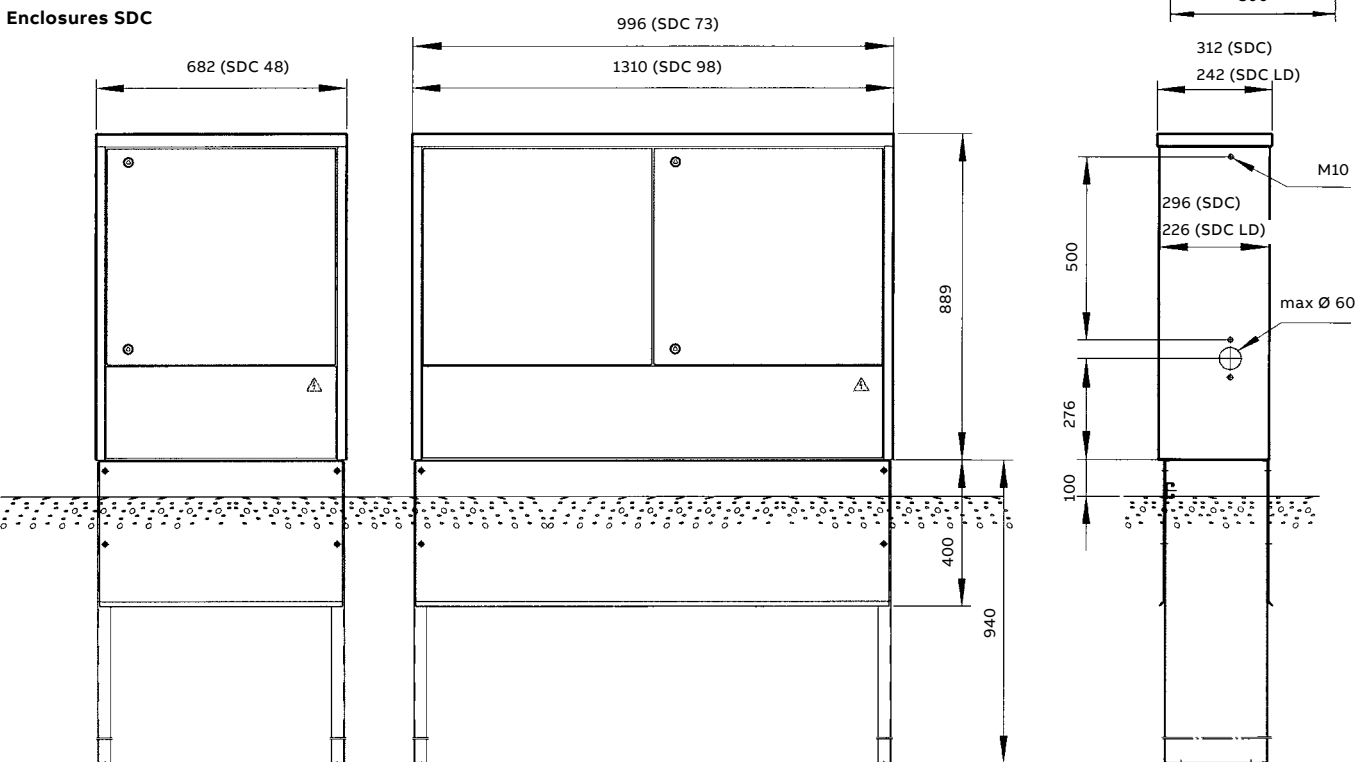
Dimension drawings

Enclosures CDC, SDC

All dimensions in mm



Enclosures CDC

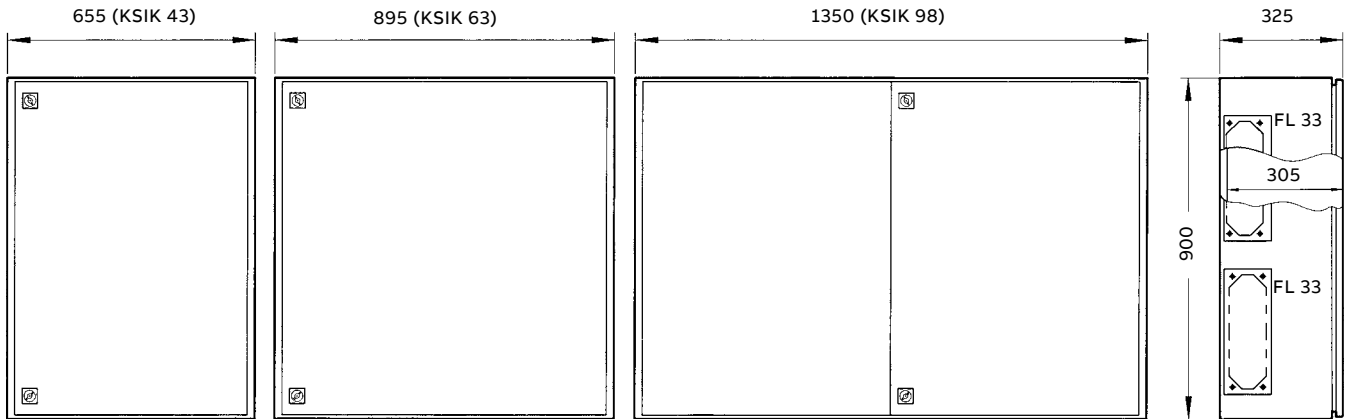


Enclosures SDC

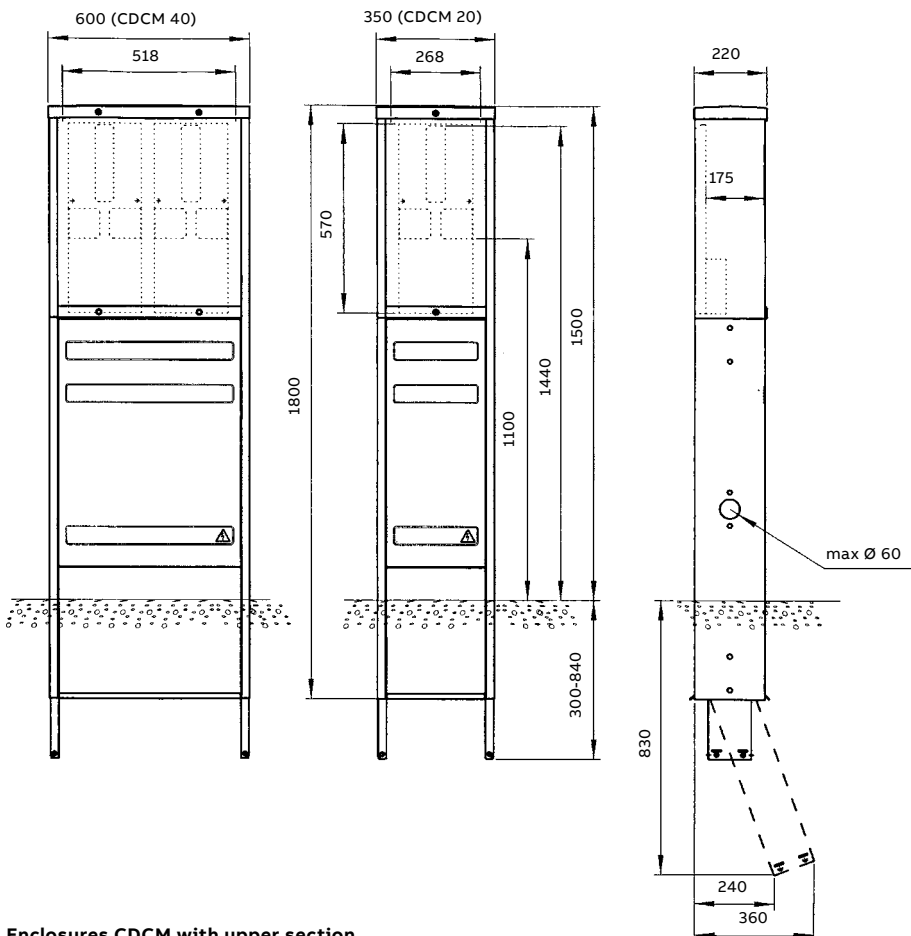
Dimension drawings

Enclosures KSIK, CDCM

All dimensions in mm



Enclosures KSIK

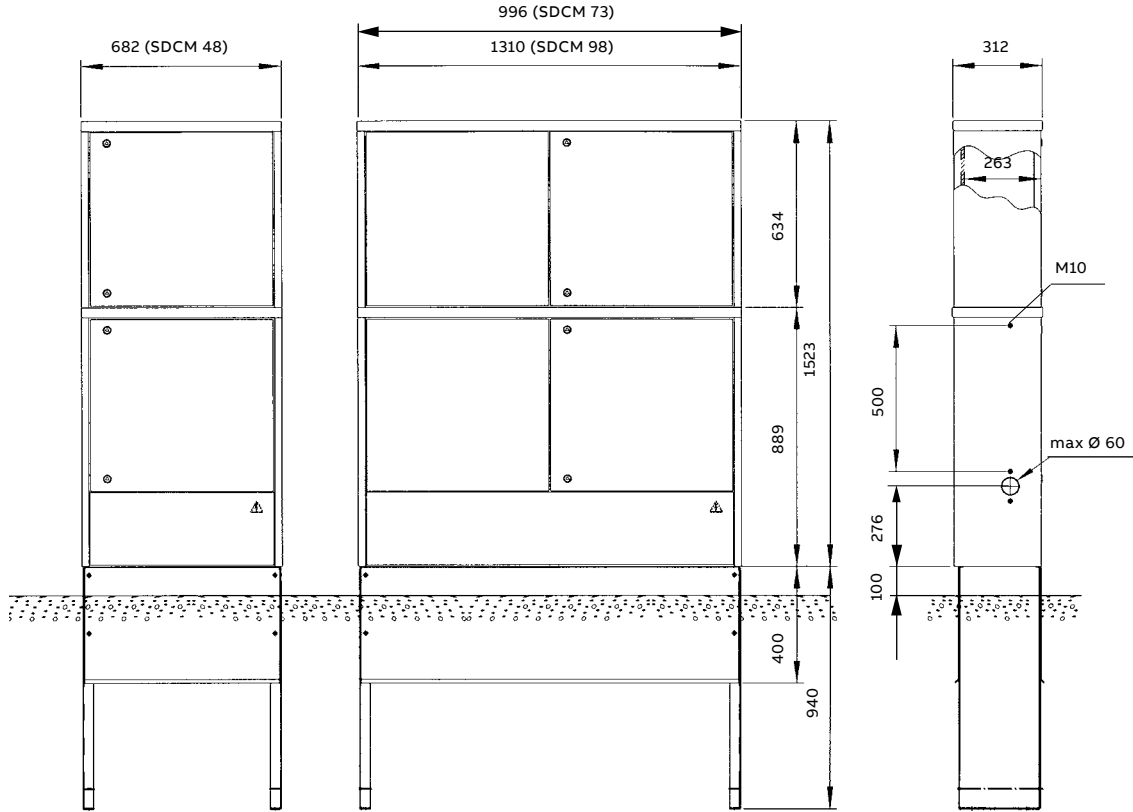


Enclosures CDCM with upper section

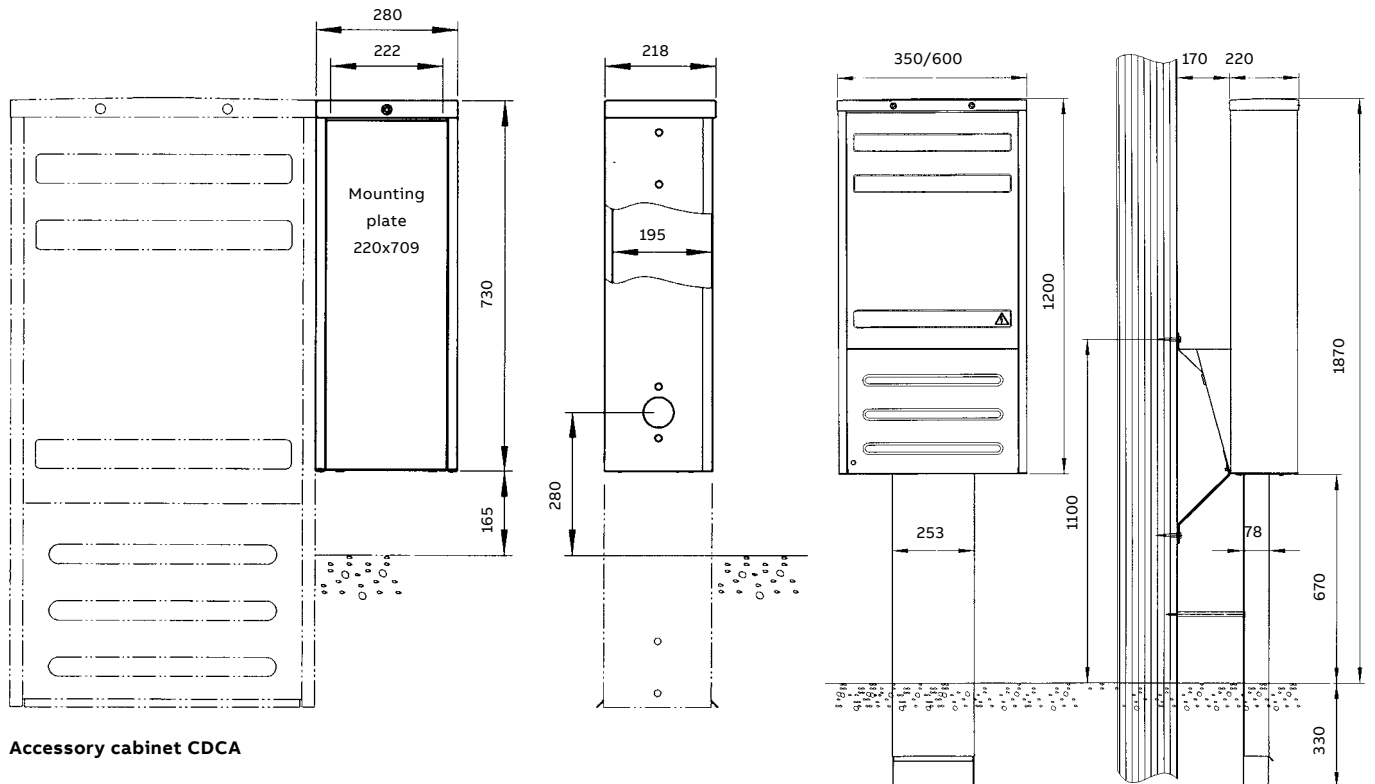
Dimension drawings

Enclosures SDCM, CDCA, CDCP

All dimensions in mm



Enclosures SDCM with upper section



Accessory cabinet CDCA

Pole mounted cable distribution cabinets CDCP



Technical data

Table of contents

82	Busbar system
82	Switching devices with dependent manual operation
83	Switching devices with independent manual operation
84	Accessories
85	Connectors
85	Cable distribution cabinets
86	Torque wrench for switching devices and enclosures
87	Equipment for street lighting

Kabeldon Low Voltage Distribution System

Technical data

Busbar system	Unit	400 A		630 A		1000 A		1600 A		2500 A CSS ¹⁾	
Rated operational voltage, U_e	V	690/1000 ²⁾		690/1000 ²⁾		690/1000 ²⁾		690/1000 ²⁾		690/1000 ²⁾	
Rated insulation voltage, U_i	V	1000		1000		1000		1000		1000	
Conventional free air thermal current, I_{th}	A	400		630		1000		1600		2500	
Conventional enclosed thermal current, I_{the}	A	400		630		1000		1600		2500	
Rated short-time withstand current, I_{cw}	kA _{rms/s}	21/1 ¹⁾		23/1 ¹⁾		40/1 ¹⁾		65/1 ³⁾		65/1	
Rated peak withstand current, I_{pk}	kA _{peak}	55		55		–		148		148	
Rated conditional short-circuit current, $I_q(I_{cc})$	kA _{rms}	50	85	50	85	–	–	–	–	–	–
	max A	3//315	3//250	3//315	3//250	–	–	–	–	–	–
Rated peak withstand current; 1 m long busbar without fitted device, I_{pk}	kA _{peak}	–		50		85		–		–	
Degree of protection according to IEC 60 529		IP2X		IP2X		IP2X		IP2X		IP2X	

¹⁾ Adjusted for use in substations and low voltage switchgear.

²⁾ From voltage level 690 V; to be used in environment classes C1 and C2 according to ISO 9223:2012.

³⁾ Test prerequisite: DT=100 K. Final temperature of the busbar max. 150 °C.

Switching device with dependent manual operation, uninterrupted duty	Unit	SLD 000		SLD- FHD 000		SLD 00		SLD- FHD 00		SLE 1			SLE 2			SLD 63	FD 3300
Rated operational voltage, U_e	V	400	690 ¹⁾	230	400	690 ¹⁾	230	400	690 ¹⁾	800 ¹⁾	400	690 ¹⁾	800 ¹⁾	1000 ¹⁾	400	400	
Rated insulation voltage, U_i	V	690	690	690	690	690	690	800	800	1000	1000	1000	1000	1000	690	690	
Rated impulse withstand voltage, U_{imp}	kV	8	8	8	8	8	8	12	12	12	12	12	12	12	8	8	
Conventional free air thermal current, I_{th}	A	100	80	100	160	160	160	250	250	400	400	400	400	400	63	400	
Rated short-time withstand current, I_{cw}	kA _{rms/s}	6.1/1 ⁵⁾		–	6.1/1 ⁵⁾		–	13.0/1 ⁵⁾			16.0/1 ⁵⁾			–	15/1		
Rated peak withstand current, I_{pk}	kA _{peak}	10.9 ⁵⁾		–	10.9 ⁵⁾		–	26.0 ⁵⁾			32.0 ⁵⁾			–	42		
Rated conditional short-circuit current, $I_q(I_{cc})$	kA _{rms}	50	30	30	50	30	30	50	50	50	50	50	50	50	40	50	
	max A	100	80	100	160	160	160	250	250	200	400	355	250	40	63	2//400	
Utilization category according to IEC 60947-3		AC- 23B	AC- 22B	AC- 21B	AC- 23B	AC- 21B	AC- 21B	AC- 23B	AC- 22B	AC- 22B	AC- 23B	AC- 22B	AC- 22B	AC- 21B	AC- 21B	AC- 21B	
Degree of protection according to IEC 60529		IP2X ⁴⁾		IP2X ⁴⁾	IP2X ⁴⁾		IP2X ⁴⁾	IP2X			IP2X			IP2X	IP2X		
Connectable conductor cross- section, Al/Cu	mm ²	2.5-95		2.5-95	2.5-95		2.5-95	50-300			50-300			1,5– 25	50-300		

Remarks

¹⁾ To be used in environment classes C1 and C2 according to ISO 9223:2012

²⁾ Fuse with power dissipation according to IEC 60269-2-1.

³⁾ With linking knives, for rated operational voltage 400V according to AC-22.

⁴⁾ IP1X at operation, depending on design dimensions of the fuse.

⁵⁾ Tested with the earthing device JDDE.

Kabeldon Low Voltage Distribution System

Technical data

Switching device with dependent manual operation, uninterrupted duty	Unit	SLDL 2			SLDL 2-1P			SLDL 3			SLDL 3-1P		
		400	690 ¹⁾	1000 ¹⁾	230	400	690 ¹⁾	400	690 ¹⁾	1000 ¹⁾	230	400	690 ¹⁾
Rated operational voltage, U _e	V	400	690 ¹⁾	1000 ¹⁾	230	400	690 ¹⁾	400	690 ¹⁾	1000 ¹⁾	230	400	690 ¹⁾
Rated insulation voltage, U _i	V	1000			1000			1000			1000		
Rated impulse withstand voltage, U _{imp}	kV	8			8			8			8		
Conventional free air thermal current, I _{th}	A	400	400	100	400	400	100	630	500	100	630	500	100
Conventional enclosed thermal current, I _{the}	A	400	400	100	400	400	100	630	500	100	630	500	100
Rated short-time withstand current, I _{cw}	kA _{eff} /s	10,3/1			10,3/1			10,3/1			10,3/1		
Rated peak withstand current, I _{pk}	kA _{peak}	21,0			21,0			21,0			21,0		
Rated conditional short-circuit current, I _q (I _{cc})	kA _{eff}	50	50	28	50	50	28	50	50	28	50	50	28
	max A	400	400	100	400	400	100	630	500	100	630	500	100
Utilization category according to IEC 60947-3		AC-23B	AC-22B	AC-21B	AC-23B	AC-22B	AC-21B	AC-23B	AC-22B	AC-21B	AC-23B	AC-22B	AC-21B
Degree of protection according to IEC 60529		IP2X			IP2X			IP2X			IP2X		
Connectable conductor cross-section, Al/Cu	mm ²	35-240			35-240			35-240			35-240		
		2 x 95-240			2 x 95-240			2 x 95-240			2 x 95-240		

Remarks

- ¹⁾ To be used in environment classes C1 and C2 according to ISO 9223:2012
- ²⁾ Fuse with power dissipation according to IEC 60269-2-1.

Switching device with independent manual operation	Unit	SEKOD			SLOC	LBOD		
		125	224	355	630	800	1000	1600
Rated operational voltage, U _e	V	690	690	690	690	690	690	690
Rated insulation voltage, U _i	V	1000	1000	1000	1000	1000	1000	1000
Rated impulse withstand voltage, U _{imp}	kV	8	12	12	12	12	12	12
Conventional free air thermal current, I _{th}	A	160 ²⁾	250 ²⁾	400 ²⁾	615	785	1000	1325
Conventional enclosed thermal current, I _{the}	A	125 ¹⁾	224 ¹⁾	355 ¹⁾	540 ³⁾	680	950	1250
Rated short-time withstand current, I _{cw}	kA _{rms/1s}	5	8	14	18	20	50	50
Rated peak withstand current, I _{pk}	kA _{peak}	–	–	–	–	80	110	110
Rated conditional short-circuit current, I _q (I _{cc})	kA _{rms}	20	32	46	55	90	100	100
	Fuse max A	160	250	400	630	800	1250	1250
Utilization category according to IEC 60947-3		AC-23A	AC-23A	AC-23A	AC-23A	AC-23A	AC-23A	AC-23A
Degree of protection according to IEC 60529		IP2X	IP2X	IP2X	IP2X ⁴⁾	IP2X ⁴⁾	IP2X ⁴⁾	IP2X ⁴⁾
Connectable conductor cross-section, Cu/Al	mm ²	50–300	50–300	50–300	–	–	–	–

- ¹⁾ Mounting with horizontal fuses limits the current by 8% which gives the fuse sizes according to the table.
- ²⁾ With linking knives 160 A, 250 A and 400 A respectively.
- ³⁾ In enclosure and with horizontal fuses, according to the manufacturer.
- ⁴⁾ To be mounted only disconnected.

Kabeldon Low Voltage Distribution System

Technical data

Switching devices with independent manual operation	Unit	APXT 1 + CKXT 1		APXT 2 + CKXT 2		APXT 3 + CKXT 3		APXT 4 + CKXT 4	
		with Tmax XT1		with Tmax XT2		with Tmax XT3		with Tmax XT4	
Rated operational voltage, U_e	V	400	690	400	690	400	690	400	690
Rated insulation voltage, U_i	V	800		1000		800		1000	
Rated impulse withstand voltage, U_{imp}	kV	8		8		8		8	
Conventional free air thermal current, I_{th}	A	135		160		230		250	
Conventional enclosed thermal current, I_{the}		125		160		200		220	
Rated ultimate short-circuit breaking capacity ¹⁾ , I_{cu}	kA	50	8	50	12	50	6	50	12
Rated service short-circuit breaking capacity ²⁾ , I_{cs}	kA	75%	50%	100%	100%	50%	50%	100%	100%
Utilization category according to IEC 60947-2		A		A		A		A	
Degree of protection according to IEC 60529, mounted		IP2X ²⁾		IP2X ²⁾		IP2X ²⁾		IP2X ²⁾	
Connectable conductor cross-section, Al/Cu	mm ²	50-300		50-300		50-300		50-300	

¹⁾ Check technical data for breakers.

²⁾ May only be installed disconnected.

Switching devices with independent manual operation	Unit	APXT 5		CKXT 6		CKXT 6+		CKXT 7	
		with Tmax XT5		with Tmax XT6		with Tmax XT6		with Tmax XT7	
Rated operational voltage, U_e	V	400	690	400	690	400	690	400	690
Rated insulation voltage, U_i	V	1000		1000		1000		1000	
Rated impulse withstand voltage, U_{imp}	kV	8		8		8		8	
Conventional free air thermal current, I_{th}	A	515		715		850		1150	
Conventional enclosed thermal current, I_{the}	A	450		630		760		930	
Rated ultimate short-circuit breaking capacity, I_{cu}	kA	36	20	50	22	50	22	50	30
Rated service short-circuit breaking capacity, I_{cs}	kA	36	20	50	16.5	50	16.5	50	30
Utilization category according to IEC 60947-2		A		B		B		B	
Degree of protection according to IEC 60529, mounted		IP2X ¹⁾		IP2X ¹⁾		IP2X ¹⁾		IP2X ¹⁾	
Connectable conductor cross-section, Al/Cu	mm ²	50-300		-		-		-	

¹⁾ May only be installed disconnected.

Accessories	Unit	JDDA 000	JDDA 00	JDDE 1	JDDE 2
Rated insulation voltage, U_i	V	690	690	800	1000
Rated short-time withstand current, I_{cw}		6.1/1	6.1/1	13.0/1	16.0/1
Rated peak withstand current, I_{pk}	kA _{peak}	10.9	10.9	26.0	32.0

Kabeldon Low Voltage Distribution System

Technical data

Connectors ¹⁾	Unit	ADC 25	ADU 95	ADO 240	ADU 300	AD 350	ADI 95	AD 2150	ADI 300	ADI 3M	AD 400
Rated operational voltage, U_e	V	690	1000 ²⁾	690	1000 ²⁾	690	1000 ²⁾	690	1000 ²⁾	500	690
Rated insulation voltage, U_i	V	-	-	-	-	-	1000	690	1000	690	1000
Conventional free air thermal current, I_{th}	A	63	250	400	400	400	250	400	630	500	630
Conventional enclosed thermal current, I_{the}	A	-	-	-	-	-	-	-	-	-	-
Rated short-time withstand current, I_{cw}	kA _{rms/s}	-	17.2/1	-	36.2/1	25/1	17.2/1	13/1	36.2/1	-	35/1
Degree of protection according to IEC 60529	-	-	-	-	-	-	IP2X	IP2X	IP2X	IP2X	IP2X
Connectable conductor cross-section Al/Cu	mm ²	1.5 - 25	1.5 - 95	70 - 240	50 - 300	3 x 6 - 50	1.5 - 95	35-2//150	50 - 300	50 - 300	50 - 400

¹⁾ According to IEC 61238-1-1.

²⁾ From voltage level 690 V; to be used in environment classes C1 and C2 according to ISO 9223:2012

Connectors	Unit	STM 400	ADP 300	KSSM-S 630	KSSM-S 1250	AB 800	AB 1200	ADR M8/ M12	ADR H12
Rated operational voltage, U_e	V	690	690	500	500	500	500	690	690
Rated insulation voltage, U_i	V	690	1000	690	690	690	690	-	-
Conventional free air thermal current, I_{th}	A	400	630	630	1250	800	1200	630	630
Conventional enclosed thermal current, I_{the}	A	-	-	-	-	-	-	-	-
Degree of protection according to IEC 60529	-	IP2X	IP2X	IP2X	IP2X	-	-	-	-
Connectable conductor cross-section Al/Cu	mm ²	50-300	2//50-300	-	-	-	-	-	-

Cable distribution cabinets	Unit	400 A		630 A		1000 A		1600 A	
Rated operational voltage, U_e	V	690 ²⁾ /1000 ³⁾		690 ²⁾ /1000 ³⁾		690 ²⁾ /1000 ³⁾		690 ²⁾ /1000 ³⁾	
Rated insulation voltage, U_i	V	1000		1000		1000		1000	
Conventional free air thermal current, I_{th}	A	400		630		1000		1600	
Conventional enclosed thermal current, I_{the}	A	-		-		-		-	
Rated short-time withstand current, I_{cw}	kA _{rms/s}	21/1 ¹⁾		23/1 ¹⁾		40/1 ¹⁾		65/1 ³⁾	
Rated peak withstand current, I_{pk}	kA _{peak}	55		55		-		148	
Rated conditional short-circuit current, I_q (Icc)	kA _{rms}	50	85	50	85	-	-	-	-
	max A	3//315	3//250	3//315	3//250	-	-	-	-
Max. fuse	A	3//315		3//315		-		-	
	Busbar system	IP2X		IP2X		IP2X		IP2X	
Degree of protection acc. to IEC 60529	Enclosure	IP34D		IP34D		IP34D		IP34D	

¹⁾ Test prerequisite: $\Delta T=100$ K. Final busbar temperature max. 150 °C.

²⁾ Cable distribution cabinets CDC range.

³⁾ Cable distribution cabinets SDC range.

⁴⁾ From voltage level 690 V; to be used in environment classes C1 and C2 according to ISO 9223:2012.

Kabeldon Low Voltage Distribution System

Torque for installing switching devices and connectors

Designation	To phase busbar	Cable connection					Others
		2,5-16 mm ²	25-35 mm ²	50-95 mm ²	120-300 mm ²		
SLD 63	15 Nm	3.5 Nm	3.5 Nm (max 25 mm ²)	–	–	–	
SLD 000, SLD 00	15 Nm	10 Nm	20 Nm	20 Nm	–	–	
SLD-FHD 000, SLD-FHD 00	15 Nm	10 Nm	20 Nm	20 Nm	–	–	
SLE 1, SLE 2	20 Nm	–	–	20 Nm	35 Nm	–	
FD 3300	20 Nm	–	–	20 Nm	45 Nm	–	
SLDL 2, SLDL 3	15 Nm	–	–	25 Nm	25 Nm	35 Nm ¹⁾	
SLDL 2-1P, SLDL 3-1P	15 Nm	–	–	25 Nm	25 Nm	35 Nm ¹⁾	
ADU 95	20 Nm	10 Nm (from 1.5 mm ²)	20 Nm	20 Nm	–	–	
ADO 240	20 Nm	–	–	20 Nm (from 70 mm ²)	35 Nm (max 240 mm ²)	–	
AD 350	20 Nm	10 Nm (from 6 mm ²)	20 Nm	20 Nm (max 50 mm ²)	–	–	
ADU 300	20 Nm	–	–	20 Nm	35 Nm	–	
ADI 95	20 Nm	10 Nm (from 1.5 mm ²)	20 Nm	20 Nm	–	–	
ADI 300	20 Nm	–	–	20 Nm	35 Nm	–	
AD 2150	20 Nm	–	–	20 Nm	45 Nm	–	
ADI 3M kit	20 Nm	–	–	–	–	20 Nm ²⁾	
AD 400	20 Nm	–	–	20 Nm	45 Nm	–	
ADC 25	3.5 Nm	3.5 Nm	3.5 Nm (max 25 mm ²)	–	–	–	
ADP 300	35 Nm	–	–	20 Nm	35 Nm	–	
APXT 1-4	15 Nm	–	–	20 Nm	35 Nm	20 Nm ³⁾	
APXT 5	20 Nm	–	–	20 Nm	35 Nm	36 Nm ^{3)/2 Nm⁴⁾}	
SEKOD 125	15 Nm	–	–	20 Nm	45 Nm	20 Nm ³⁾	
SEKOD 224	15 Nm	–	–	20 Nm	45 Nm	20 Nm ³⁾	
SEKOD 355	15 Nm	–	–	20 Nm	45 Nm	20 Nm ³⁾	
SLOC 630	25 Nm	–	–	–	–	–	
LBOD 800	25 Nm	–	–	–	–	35 Nm ³⁾	
LBOD 1000	25 Nm	–	–	–	–	–	
LBOD 1600	25 Nm	–	–	–	–	25 Nm ³⁾	
CKXT 6	20 Nm	–	–	–	–	9 Nm ³⁾	
CKXT 6+	20 Nm	–	–	–	–	9 Nm ³⁾	
CKXT 7	25 Nm	–	–	–	–	35 Nm ³⁾	
TRAFO-CD/SD	20 Nm	–	–	–	–	–	
KSSM-S 630/1250	20 Nm	–	–	–	–	–	
KLKB-S 630/1250	20 Nm	–	–	–	–	–	

¹⁾ The torque refers to the connection between the SLDL and the cable (cable lug or cable connector).

²⁾ The torque refers to the connection between the ADI 3M kit contact and the ADI 300 connector.

³⁾ The torque refers to the connection to the switch connection lug/cable connectors.

⁴⁾ The torque refers to the connection between the MCCB and the adapter plate.

Designation	Cable connection						Screw M10
	6 mm ²	50 mm ²	95 mm ²	120 mm ²	150 mm ²	185 mm ²	
TC 120-20		20 Nm		25 Nm		45 Nm	
TCD 185-25				20 Nm			35 Nm



Index

Designation	Page
AB 1200-53	30
AB 1200-70	30
AB 2500	33
AB 800-53	30
AD 2150	27
ADI 300	27
AD 350	27
AD 400	27
ADU 95	27
ADI 95	27
ADU 300	27
ADI 3M	27
ADC 25	27
ADO 240	27
ADP 300	19, 26, 27
ADR H12	33
ADR M10	33
ADR M8	33
APXT 1	24
APXT 2	24
APXT 2 kit	24
APXT 3	24
APXT 4	24
APXT 4 kit	24
APXT 5	25
BERG 250	47
BK-E	56
BK-N	56
BK-T	56
BPF-S 48	51
BPF-S 73	51
BPF-S 98	51
C 20-BP	46
C 20-DB	46
C 20-TNS	30
C 40-BP	46
C 40-DB	46
C 40-TNS	30
C 60-BP	46
C 60-DB	46
C 60-TNS	30
CC 20	56
CC 30	56
CDC 020	44
CDC 040	44
CDC 060	44
CDC 420	44
CDC 440	44
CDC 460	44
CDC 640	44
CDC 660	44
CDCA	54
CDCA-BV	54
CDCA-CD	56

Designation	Page
CDC-CLA	57
CDCF 020	44
CDCF 040	44
CDCF 060	44
CDC-LA	57
CDC-LD	57
CDC-LSE	57
CDC-LT	57
CDC-LTC	57
CDCM 020	45
CDCM 040	45
CDCM 420	45
CDCM 440	45
CDCM 640	45
CDCP 020	45
CDCP 040	45
CDCP 420	45
CDCP 440	45
CDCP-TP	48
CDCR 63	65, 66
CDCS 12515	63, 66
CDCS 25 M	62, 66
CDCS 2520	62, 66
CDCS 63 M	62, 66
CDCS 6320	62, 66
CDCS CM	62
CKM	35, 55
CKXT 1	24
CKXT 2	24
CKXT 3	24
CKXT 4	24
CKXT 6	25
CKXT 6+	25
CKXT 7	25
CS SLDL	21
FD 3300	17
FHD 00	18
FHD 000	18
FHH	18
FHHD-A 00	18
FHHD-A 000	18
FV	47, 52
GBC 6338	64, 66
GBC 6338 UR	64
GOLV-S 48	51
GOLV-S 73	51
GOLV-S 98	51
ILM 125	26
ILM 224	26
ILM 355	26
JDDA 00	18
JDDA 000	18
JDDE 1	18
JDDE 2	18

Index

Designation	Page
KD 43-TNS	30
KD 63-TNS	30
KD 98-TNS	30
KFBD	19
KHB 3	48
KHB 5	48
KHB 7	48
KK 500	48
KK 1000	48
KKC 5	48
KKCS	48
KKS	48
KLKB-S 1250	31
KLKB-S 630	31
KN 00	19, 26
KN 1	19, 26
KNB 2	19, 22
KSBD 00	19
KSBD 2	19, 22
KSBH 300	28
KSCA	57
KSFL 17	55
KSFS 10126	29
KSFS 10181	29
KSFS 1098	29
KSFS 16126	29
KSFS 16149	29
KSFS 16181	29
KSFS 1698	29
KSFS 25150 CSS	32
KSFS 25182 CSS	32
KSFS 420	29
KSFS 440	29
KSFS 443	29
KSFS 448	29
KSFS 460	29
KSFS 463	29
KSFS 473	29
KSFS 640	29
KSFS 643	29
KSFS 648	29
KSFS 660	29
KSFS 663	29
KSFS 673	29
KSFS 698	29
KSIK 043	53
KSIK 063	53
KSIK 098	53
KSIK 1043	53
KSIK 1063	53
KSIK 1098	53
KSIK 1643	53
KSIK 1663	53

Designation	Page
KSIK 1698	53
KSIK 443	53
KSIK 463	53
KSIK 643	53
KSIK 663	53
KSIK 698	53
KSKP 25	35
KSKP 50	35
KSM 017	55
KSM 417	55
KSMP-S 48	52
KSMP-S 73	52
KSMP-S 98	52
KSMUB 16	55
KSMUB 32	55
KSNR 4	57
KSNS 10126	29
KSNS 10149	29
KSNS 10181	29
KSNS 1098	29
KSNS 1098 KSIK	29
KSNS 25150 CSS	32
KSNS 25182 CSS	32
KSNS 420	29
KSNS 440	29
KSNS 443	29
KSNS 460	29
KSNS 463	29
KSNS 473	29
KSNS 498	29
KSNS 498 KSIK	29
KSNS 640	29
KSNS 660	29
KSNSV 410	30
KSPS 7	46, 52
KSPS 8	46, 52
KSSM-S 1250	36
KSSM-S 630	36
KSST 316	31
KSST 316/100	31
KSST 316/23	31
KSST 325 CSS	32
KSST 325 CSS-F	32
KSST 36-CDC	31
KSST-CDC	31
LBOD 1000	23
LBOD 1600	23
LBOD 800	23
MARK-S 48	51
MARK-S 73	51
MARK-S 73 LD	51
MARK-S 98	51
MARK-S 98 LD	51

Index

Designation	Page
MPF 25 B	35
MPF 63 B	35
MPP 20	47
MPP 40	47
MPP-S 48	52
MPP-S 73	52
MPT 40	47
MPT-S 48	52
MPT-S 73	52
MSB 316	31
MSB 316/100	31
MSB 316/23	31
MSB 325 CSS	32
NK 3	57
NK 30	57
NKD 3	57
NK-TC	57
PBA 63	19
PBKP 25	35
PBKP 50	35
PDA 10	19
PDA 16	19
PDA 20	19
PDA 25	19
PDA 35	19
PDA 50	19
PHD 2	18
PHD 2 SDC	18
PHDL	22
PSFS 17	34
PSFS 5	34
PSM 224	26
S 48-BP	51
S 73/93-BP	51
SD 48-TNS	30
SD 73-TNS	30
SD 98-TNS	30
SDC 048	49
SDC 073	49
SDC 098	49
SDC 1048	49
SDC 1073	49
SDC 1098	49
SDC 1648	49
SDC 1673	49
SDC 1698	49
SDC 448	49
SDC 473	49
SDC 648	49
SDC 673	49
SDC 673 LD	49
SDC 698	49
SDC 698 LD	49

Designation	Page
SDC-LA	57
SDC-LD	57
SDC-LSE	57
SDC-LT	57
SDC-LTC	57
SDCM 048	50
SDCM 073	50
SDCM 448	50
SDCM 473	50
SDCM 648	50
SDCM 673	50
SDCM 698	50
SDCR 125	65
SDCR 125	66
SDCS 12523	63, 66
SDCS 25043	63, 66
SDCS 35518	63, 66
SDCS 35543	63, 66
SDCS 63026	63, 66
SDCS 63051	63, 66
SEKOD 125	23
SEKOD 224	23
SEKOD 355	23
SLD 00	16
SLD 000	16
SLE 1	16
SLE 2	16
SLD 63	16
SLD-FHD 00	16
SLD-FHD 000	16
SLDL 2	20
SLDL 2-1P	20
SLDL 3	20
SLDL 3-1P	20
SLOC 630	23
SLUS 48	51
SLUS 73	51
SLUS 98	51
STM 400	19
STM 400	27
TC 120-20	33
TCD 50-240	21
TCS 35-240	21
TFU 25	34
TRAFO-CD 630	36
TRAFO-SD 1250	36
TRAFO-SD 630	36
VF 100	47, 52
VF-S 30	52
VHB 68	57



For your notes

A series of horizontal dotted lines for writing notes.



For your notes

A series of horizontal dotted lines for writing notes, spanning the width of the page.

Additional information

We reserve the right to make technical changes or modify the contents of this document without prior notice. With regard to purchase orders, the agreed particulars shall prevail. ABB does not accept any responsibility whatsoever for potential errors or possible lack of information in this document.

We reserve all rights in this document and in the subject matter and illustrations contained therein. Any reproduction, disclosure to third parties or utilization of its contents – in whole or in parts – is forbidden without prior written consent of ABB.





Contact us

ABB Electrification Sweden AB
Kabeldon
BOX 531
SE-441 15 Alingsås, Sweden
Phone: + 46 21 32 50 00

new.abb.com/low-voltage

You can find local contact details on our website:

new.abb.com/contact-centers