

FDV dokumentasjon

Jordfeil-blokk	Typebetegnelse	Varenummer	EAN	El.nummer
DDA800 A DDA800 APR DDA800 AS	JORDF.BL DDA802 A-63/0.03	2CSB802101R1630	8012542920007	1627036
	JORDF.BL DDA802 A-63/0.3	2CSB802101R3630	8012542920205	1627037
	JORDF.BL DDA802 A-100/0.3	2CSB802101R3000	8012542545033	1627038
	JORDF.BL DDA802 A-63/0.5	2CSB802101R4630	8012542920403	1627039
	JORDF.BL DDA802 A-100/0.5	2CSB802101R4000	8012542542636	1627040
	JORDF.BL DDA803 A-63/0.03	2CSB803101R1630	8012542922308	1627041
	JORDF.BL DDA803 A-63/0.3	2CSB803101R3630	8012542922506	1627042
	JORDF.BL DDA803 A-100/0.3	2CSB803101R3000	8012542544135	1627043
	JORDF.BL DDA803 A-63/0.5	2CSB803101R4630	8012542922704	1627044
	JORDF.BL DDA803 A-100/0.5	2CSB803101R4000	8012542541738	1627045
	JORDF.BL DDA804 A-63/0.03	2CSB804101R1630	8012542924807	1627046
	JORDF.BL DDA804 A-63/0.3	2CSB804101R3630	8012542925002	1627047
	JORDF.BL DDA804 A-100/0.3	2CSB804101R3000	8012542547532	1627048
	JORDF.BL DDA804 A-63/0.5	2CSB804101R4630	8012542925200	1627049
	JORDF.BL DDA804 A-100/0.5	2CSB804101R4000	8012542544937	1627050
	JORDF.BL DDA802 A-63/0.03AP-R	2CSB802401R1630	8012542921400	1627051
	JORDF.BL DDA802 A-100/0.03AP-R	2CSB802401R1000	8012542544630	1627052
	JORDF.BL DDA803 A-63/0.03AP-R	2CSB803401R1630	8012542923800	1627053
	JORDF.BL DDA803 A-100/0.03AP-R	2CSB803401R1000	8012542542230	1627054
	JORDF.BL DDA804 A-63/0.03AP-R	2CSB804401R1630	8012542927709	1627055
	JORDF.BL DDA804 A-100/0.03AP-R	2CSB804401R1000	8012542547136	1627056
	JORDF.BL DDA802 A S-63/0.3	2CSB802201R3630	8012542920601	1627057
	JORDF.BL DDA802 A S-100/0.3	2CSB802201R3000	8012542542537	1627058
	JORDF.BL DDA802 A S-63/1	2CSB802201R5630	8012542920809	1627059
	JORDF.BL DDA802 A S-100/1	2CSB802201R5000	8012542547433	1627060
	JORDF.BL DDA803 A S-63/0.3	2CSB803201R3630	8012542922902	1627061
	JORDF.BL DDA803 A S-100/0.3	2CSB803201R3000	8012542544838	1627062
	JORDF.BL DDA803 A S-100/0.5	2CSB803201R4000	8012542542438	1627063
	JORDF.BL DDA803 A S-63/1	2CSB803201R5630	8012542923206	1627064
	JORDF.BL DDA803 A S-100/1	2CSB803201R5000	8012542547334	1627065
	JORDF.BL DDA804 A S-63/0.3	2CSB804201R3630	8012542926207	1627066
	JORDF.BL DDA804 A S-100/0.3	2CSB804201R3000	8012542544739	1627067
	JORDF.BL DDA804 A S-100/0.5	2CSB804201R4000	8012542542339	1627068
	JORDF.BL DDA804 A S-63/1	2CSB804201R5630	8012542926504	1627069
	JORDF.BL DDA804 A S-100/1	2CSB804201R5000	8012542547235	1627070

FDV

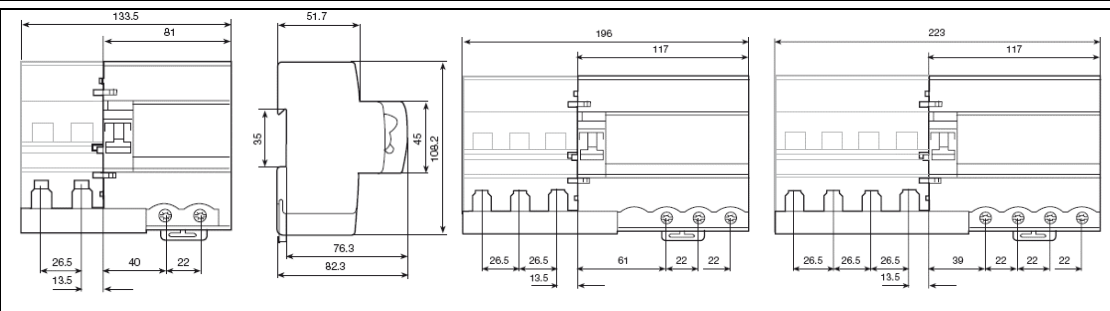
Jordfeilbryterne er produsert og testet i henhold til IEC/EN 60947-2 Ann. B

Testknapp må betjenes halvårlig

Tekniske Data

TEKNISKE DATA		DDA 800 A		DDA 800 A AP-R		DDA 800 A S	
Standards		IEC/EN 60947-2 Ann. B					
Electrical features	Type (wave form of the earth leakage sensed)	A		A		A	
	Poles	2P, 3P, 4P					
	Rated current I _n	A	63	100	63-100	63	100
	Rated sensitivity ΔI _n	A	0.03-0.3-0.5	0.3-0.5	0.03	0.3-1	0.3-0.5*-1
	Rated voltage U _e	V 230/400 - 240/415 - 400/690					
	Insulation voltage U _i	V 690					
	Max. operating voltage of circuit test	V 690					
	Min. operating voltage of circuit test	V 195					
	Rated frequency	Hz 50...60					
	Rated breaking capacity (I _{cn}) acc. to IEC /EN 60947-2	A	according to the breaking capacity of the associated MCB				
	Rated residual breaking capacity ΔI _{dm}						
	with S 800 N	kA	according to the I _{cu} of the associated MCB				
	with S 800 S	kA	according to the I _{cu} of the associated MCB				
	Rated impulse withstand voltage (1.2/50) U _{imp}	kV	6				
	Dielectric test voltage at ind. freq. for 1 min.	kV	2.5				
	Surge current resistance (wave 8/20)	A	250	3000	5000		
Mechanical features	Toggle	blue operating just from OFF position					
	Electrical life	10000					
	Mechanical life	20000					
	Protection degree						
	housing terminals	IP4X					
		IP2X					
	Tropicalization acc. to IEC /EN 60068-2						
	humid heat	°C/RH	28 cycles with 55/95...100				
	constant climatic conditions	°C/RH	23/83 - 40/93 - 55/20				
	variable climatic conditions	°C/RH	25/95 - 40/95				
	Ambient temperature (with daily average ≤ +35 °C)	°C	-25...+60				
	Storage temperature	°C	-40...+70				
	Terminal size for cables		6...50				
	flexible	mm ²					
	rigid	mm ²	6...70				
	Tightening torque	N*m	min. 3 / max. 4				
	Mounting	on DIN rail EN 60715 (35 mm) by means of rapid fixing device					
Dimensions and weight	Dimensions (H x D x W)	2P mm	108.2 x 82.3 x 81				
		3P mm	108.2 x 82.3 x 117				
		4P mm	108.2 x 82.3 x 117				
	Weight						
		2P g	300 for 63 A - 415 for 100 A				
		3P g	400 for 63 A - 640 for 100 A				
		4P g	460 for 63 A - 765 for 100 A				
Combination with MCBs	Combinable with:						
		S 800 N	yes				
		S 800 S	yes				

* only on 3P and 4P versions



Produsent

Navn

Adresse

Tlf.

E-post

ABB AS

Bergerveien 12
1396 Billingstad

03500

automasjonsprodukter@no.abb.com