

FDV dokumentasjon

Jordfeil- bryter F200 A AP-R	Typebetegnelse	Varenummer	EAN	El.nummer
	Jordf br F202 A-25/0,03 AP-R	2CSF202401R1250	8012542785101	1662937
	Jordf br F202 A-40/0,03 AP-R	2CSF202401R1400	8012542785200	1662938
	Jordf br F202 A-63/0,03 AP-R	2CSF202401R1630	8012542785309	1662939
	Jordf br F202 A-80/0,03 AP-R	2CSF202401R1800	8012542916406	1630581
	Jordf br F202 A-100/0,03 AP-R	2CSF202401R1900	8012542916505	1630582
	Jordf br F204 A 25/0,03 AP-R	2CSF204401R1250	8012542785408	1662917
	Jordf br F204 A 40/0,03 AP-R	2CSF204401R1400	8012542785507	1662918
	Jordf br F204 A 63/0,03 AP-R	2CSF204401R1630	8012542785606	1662919
	Jordf br F204 A-80/0,03 AP-R	2CSF204401R1800	8012542919407	1630583
	Jordf br F204 A-100/0,03 AP-R	2CSF204401R1900	8012542919506	1630584
	Jordf br F204 A-125/0,03 AP-R	2CSF204401R1950	8012542967903	1630589

FDV

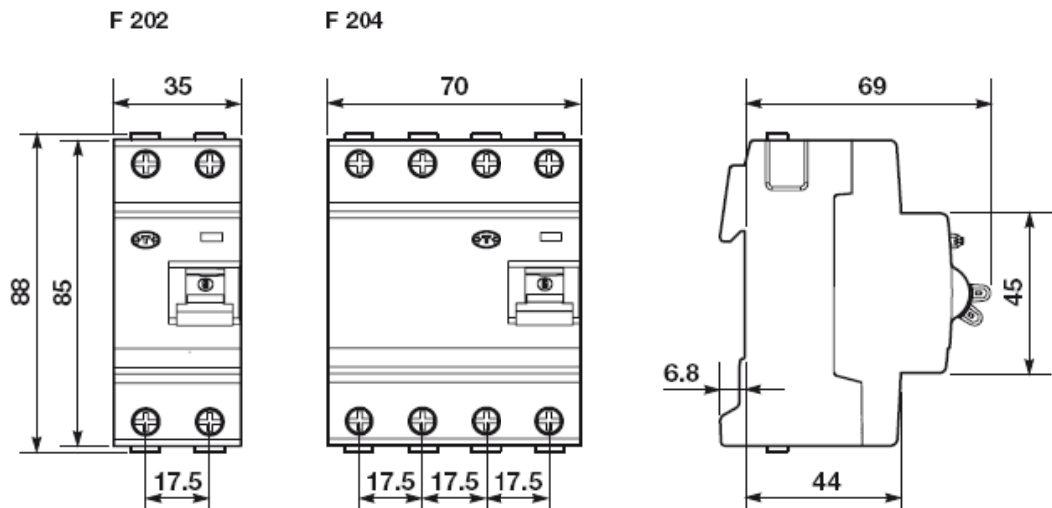
Jordfeilbryterne er produsert og testet i henhold til IEC/EN 61008

Testknapp må betjenes halvårlig

Tekniske Data

TEKNISKE DATA			F200 A AP-R	
Standards			IEC/EN 61008, UL 1053 ①	
Electrical	Type (wave form of the earth leakage sensed)		A	
features	FcIes		2P, 4P (for 125 A only 4P)	
	Rated current In	A	25, 40, 63, 80, 100, 125	
	Rated sensitivity I _{Δn}	A	0.03	
	Rated voltage U _e	IEC	230/400 - 240/415	
		UL/CSA	480Y/277 (up to 63 A)	
	Insulation voltage U _i		500	
	Max. operating voltage of circuit test	IEC	254 (440 for 125 A)	
		UL/CSA	277 (up to 63 A)	
	Min. operating voltage of circuit test		110 (185 for 125 A)	
	Rated frequency	Hz	50...60	
	Rated conditional short-circuit current I _{nc=I_{sc}}	SCPD - fuse gL 100 A	kA	10 (for 125 A fuse is gL 125 A)
	Rated residual breaking capacity I _{sm=I_m}		kA	1 (1.25 for 125 A)
	Rated impulse withstand voltage (1.2/50) U _{imp}		kV	6
	Dielectric test voltage at ind. freq. for 1 min.		kV	2.5
	Overvoltage category		III, disconnector abilities	
	Surge current resistance (wave 8/20)		A	3000
Mechanical	Toggle		blue sealable in ON-OFF position	
features	Contact position indicator (CPI)		yes	
	Electrical life		10000 (2000 for 125 A)	
	Mechanical life		20000 (5000 for 125 A)	
	Protection degree	housing	IP4X	
		terminals	IP2X	
	Tropicalization	humid heat	°C/FH	28 cycles with 55/95...100
	acc. to IEC/EN 60088-2	constant climatic conditions	°C/FH	23/83 - 40/93 - 55/20
		variable climatic conditions	°C/FH	25/95 - 40/95
	Ambient temperature (with daily average ≤ +35 °C)	IEC	°C	-25...+55 (-25...+40 for 125 A)
		UL/CSA	°C	-35...+70 (up to 63 A)
	Storage temperature		°C	-40...+70
Installation	Terminal type		failsafe bi-directional cylinder-lift terminal at top and bottom (shock protected) (case for In > 63 A) ②	
	Terminal size top/bottom for cable	IEC	mm ²	25/25 (35/35 single slot terminal for In > 63 A)
		UL/CSA	AWG	16-4 (up to 63 A)
	Terminal size top/bottom for busbar	IEC	mm ²	10/10 (not for In = 80-100 A)
		UL/CSA	AWG	16-8 (up to 63 A)
	Tightening torque	IEC	N·m	2.6 (4.8 for In > 63 A; 3 for In = 125 A)
		UL/CSA	in-lbs.	25 (up to 63 A)
	Tool		Nr. 2 Pozidriv	
	Mounting		on DIN rail EN 60715 (35 mm) by means of fast clip device	
	Connection		from top and bottom	
	Withdrawal from busbar		it is possible without using any tools only from the bottom (not for 125 A)	
Dimensions and weight	Dimensions (H x D x W)	2P	mm	85 x 69 x 35
		4P	mm	85 x 69 x 70 (85 x 69.5 x 72 for 125 A)
	Weight	2P	g	200
		4P	g	350 (380 for In = 80 and 100 A and 480 for In = 125 A)
Combination with auxiliary elements	Combinable with:	auxiliary contact	yes (no for 125 A)	
		signal contact/auxiliary switch	yes	
		shunt trip	yes (no for 125 A)	
		undervoltage release	yes (no for 125 A)	

① Ground-fault sensing and relaying equipment-component (up to 63 A)

② prior to connection of aluminium conductors (≥ 4 mm²) ensure that their contact points are cleaned, brushed and coated with grease

Produsent

Navn

Adresse

Tlf.

E-post

ABB AS

Bergerveien 12
1396 Billingstad

03500

automasjonsprodukter@no.abb.com