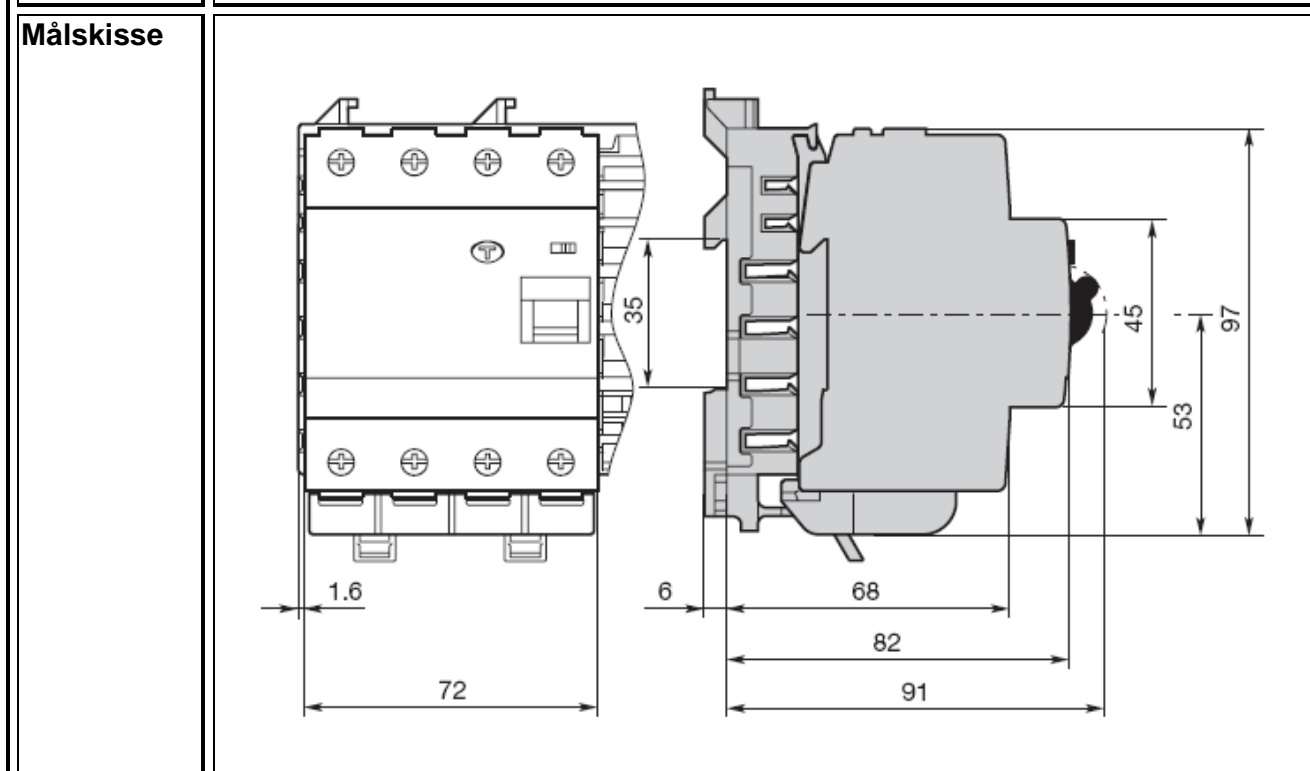



FDV dokumentasjon

Smisline	Typebetegnelse	Varenummer	EAN	El.nummer																																														
F404 4-pol 30mA 100mA 300mA 500mA K=AP-R S=Selektiv LF=16 2/3Hz	JORD.F.BR F404 A 25/0,03	2CCF544110E0250	7612270104253	1623570																																														
	JORD.F.BR F404 A 40/0,03	2CCF544110E0400	7612270104260	1623571																																														
	JORD.F.BR F404 A 40/0,1	2CCF544120E0400	7612270104277	1623572																																														
	JORD.F.BR F404 A 40/0,3	2CCF544130E0400	7612270104284	1623573																																														
	JORD.F.BR F404 A 63/0.03	2CCF544110E0630	7612270104291	1623574																																														
	JORD.F.BR F404 A 63/0,1	2CCF544120E0630	7612270104307	1623575																																														
	JORD.F.BR F404 A 63/0.3	2CCF544130E0630	7612270104314	1623576																																														
	JORD.F.BR F404 A 63/0.5	2CCF600517E0630	7612271401566	1623589																																														
	JORD.F.BR F404 A-K 40/0,03	2CCF544310E0400	7612270104321	1623577																																														
	JORD.F.BR F404 A-K 40/0,1	2CCF544320E0400	7612270104338	1623578																																														
	JORD.F.BR F404 A-K 63/0,03	2CCF544310E0630	7612270104345	1623579																																														
	JORD.F.BR F404 A-S 63/0,1	2CCF544220E0630	7612270104352	1623580																																														
	JORD.F.BR F404 A-S 63/0,3	2CCF544230E0630	7612270104369	1623581																																														
	JORD.F.BR F404 A-LF 63/0.03	2CCF544110E0631	7612270104376	1623584																																														
	JORD.F.BR F404 A-LF 63/0.3	2CCF544130E0631	7612270104383	1623585																																														
	FDV	Jordfeilbryterne er produsert og testet i henhold til IEC EN 61008	Testknapp må betjenes halvårlig																																															
Tekniske Data	<table border="0"> <tr> <td></td> <td style="text-align: right;">F404</td> </tr> <tr> <td>Rated voltage U_n:</td> <td>230/400V</td> </tr> <tr> <td>Number of poles:</td> <td>4</td> </tr> <tr> <td>Rated frequency f_n:</td> <td>50/60 Hz (for Type LF 16²/₃ Hz)</td> </tr> <tr> <td>Rated breaking capacity I_m:</td> <td>1000A</td> </tr> <tr> <td>Total trip time (average value)</td> <td></td> </tr> <tr> <td>– at $I_{\Delta n}$</td> <td>≤ 300 ms</td> </tr> <tr> <td>– at 5 $I_{\Delta n}$</td> <td>≤ 40 ms</td> </tr> <tr> <td>Delay time at 5 $I_{\Delta n}$:</td> <td>–</td> </tr> <tr> <td>Resistance to short circuits (kA):</td> <td>10 kA</td> </tr> <tr> <td></td> <td>in conjunction with an upstream fuse</td> </tr> <tr> <td></td> <td>gL / gG 100A or a high performance MCB S800, 100 A</td> </tr> <tr> <td>Connection</td> <td>Double lift terminal touch finger-proof, suitable for connecting load side terminal single-, multi- and fine-wire conductors of up to 25 mm²</td> </tr> <tr> <td>Degree of protection:</td> <td>IP20 inside panel IP40</td> </tr> <tr> <td>Endurance:</td> <td>> 5000 operating cycles</td> </tr> <tr> <td>Resistance to climate acc. to:</td> <td>EN 61008</td> </tr> <tr> <td>Mounting position:</td> <td>any</td> </tr> <tr> <td>Ambient temperature:</td> <td>–25 °C ... +55 °C</td> </tr> <tr> <td></td> <td>acc. to EN 61009</td> </tr> <tr> <td>Vibration resistance:</td> <td>5 g</td> </tr> <tr> <td></td> <td>5 ... 150 ... 5 Hz</td> </tr> <tr> <td>Plastic parts:</td> <td>halogen-free</td> </tr> <tr> <td>Contacts:</td> <td>cadmium-free</td> </tr> </table>					F404	Rated voltage U_n :	230/400V	Number of poles:	4	Rated frequency f_n :	50/60 Hz (for Type LF 16 ² / ₃ Hz)	Rated breaking capacity I_m :	1000A	Total trip time (average value)		– at $I_{\Delta n}$	≤ 300 ms	– at 5 $I_{\Delta n}$	≤ 40 ms	Delay time at 5 $I_{\Delta n}$:	–	Resistance to short circuits (kA):	10 kA		in conjunction with an upstream fuse		gL / gG 100A or a high performance MCB S800, 100 A	Connection	Double lift terminal touch finger-proof, suitable for connecting load side terminal single-, multi- and fine-wire conductors of up to 25 mm ²	Degree of protection:	IP20 inside panel IP40	Endurance:	> 5000 operating cycles	Resistance to climate acc. to:	EN 61008	Mounting position:	any	Ambient temperature:	–25 °C ... +55 °C		acc. to EN 61009	Vibration resistance:	5 g		5 ... 150 ... 5 Hz	Plastic parts:	halogen-free	Contacts:	cadmium-free
	F404																																																	
Rated voltage U_n :	230/400V																																																	
Number of poles:	4																																																	
Rated frequency f_n :	50/60 Hz (for Type LF 16 ² / ₃ Hz)																																																	
Rated breaking capacity I_m :	1000A																																																	
Total trip time (average value)																																																		
– at $I_{\Delta n}$	≤ 300 ms																																																	
– at 5 $I_{\Delta n}$	≤ 40 ms																																																	
Delay time at 5 $I_{\Delta n}$:	–																																																	
Resistance to short circuits (kA):	10 kA																																																	
	in conjunction with an upstream fuse																																																	
	gL / gG 100A or a high performance MCB S800, 100 A																																																	
Connection	Double lift terminal touch finger-proof, suitable for connecting load side terminal single-, multi- and fine-wire conductors of up to 25 mm ²																																																	
Degree of protection:	IP20 inside panel IP40																																																	
Endurance:	> 5000 operating cycles																																																	
Resistance to climate acc. to:	EN 61008																																																	
Mounting position:	any																																																	
Ambient temperature:	–25 °C ... +55 °C																																																	
	acc. to EN 61009																																																	
Vibration resistance:	5 g																																																	
	5 ... 150 ... 5 Hz																																																	
Plastic parts:	halogen-free																																																	
Contacts:	cadmium-free																																																	

Tekniske Data	F404...K	F404...S
	Rated voltage U_n :	230/400V
Number of poles:	4	4
Rated frequency f_n :	45 ... 60 Hz	45 ... 60 Hz
Resistance to surge current:	3 kA	5 kA
	8/20 μ s	8/20 μ s
Total trip time (average value)		
– at $I_{\Delta n}$	120 ... 300 ms	150 ... 500 ms
– at $5 I_{\Delta n}$		40 ... 150 ms
Delay time at $5 I_{\Delta n}$:	10 ms	90 ms
Resistance to short circuits (kA):	10 kA	10 kA
Connection load side terminal	Double lift terminal touch finger-proof, suitable for connecting load side terminal single-, multi- and fine-wire conductors of up to 25 mm ²	
Degree of protection:	IP20 in panel IP40	IP20 in panel IP40
Endurance:	> 5000 operating cycles	> 5000 operating cycles
Resistance to climate acc. to:	EN 61008	EN 61008
Mounting position:	any	any
Ambient temperature:	-25 °C ... +55 °C	-25 °C ... +40 °C
Vibration resistance:	5g	5g
	5 ... 150 ... 5 Hz	5 ... 150 ... 5 Hz
Plastic parts:	halogen-free	halogen-free
Contacts:	cadmium-free	cadmium-free



Produsent	Navn	Adresse	Tlf.	E-post
	ABB AS	Bergerveien 12 1396 Billingstad	03500	automasjonsprodukter@no.abb.com