

Printview: Tap-off module; tightening torque 0.7 nm; with screw-type connection; for flat cable 5 x 16 mm; tightening torque 2 nm; phillips no. 2 screwdriver - Item No.: 895-1652



Tap-off module; tightening torque 0.7 nm; with screw-type connection; for flat cable 5 x 16 mm; tightening torque 2 nm; phillips no. 2 screwdriver

Item No.: 895-1652



Tap-off module; tightening torque 0.7 nm; with screw-type connection; for flat cable 5 x 16 mm; tightening torque 2 nm; phillips no. 2 screwdriver

Marking

RoHS ✓
Compliant

Business data

Supplier	WAGO
Item no.	895-1652
GTIN / EAN	4045454006396
Content	1
Order amount	1
Customer item number	

Notes

All WINSTA® components are 100% protected against mismatching in terms of:a.) plugging different number of polesb.) plugging when turned by 180°c.) plugging when laterally staggeredd.) plugging one pole
Note on Continuous Service Temperature:-35°C to +85°C
PVC cable for temperatures 70°C (including halogen-free)
PVC flat cable for temperatures -15°C to 70°C (including halogen-free)
Insulating parts for temperatures 105°C

Technical data

Miscellaneous

Total number of connection points	5
Total number of potentials	5

Printview: Tap-off module; tightening torque 0.7 nm; with screw-type connection; for flat cable 5 x 16 mm; tightening torque 2 nm; phillips no. 2 screwdriver - Item No.: 895-1652

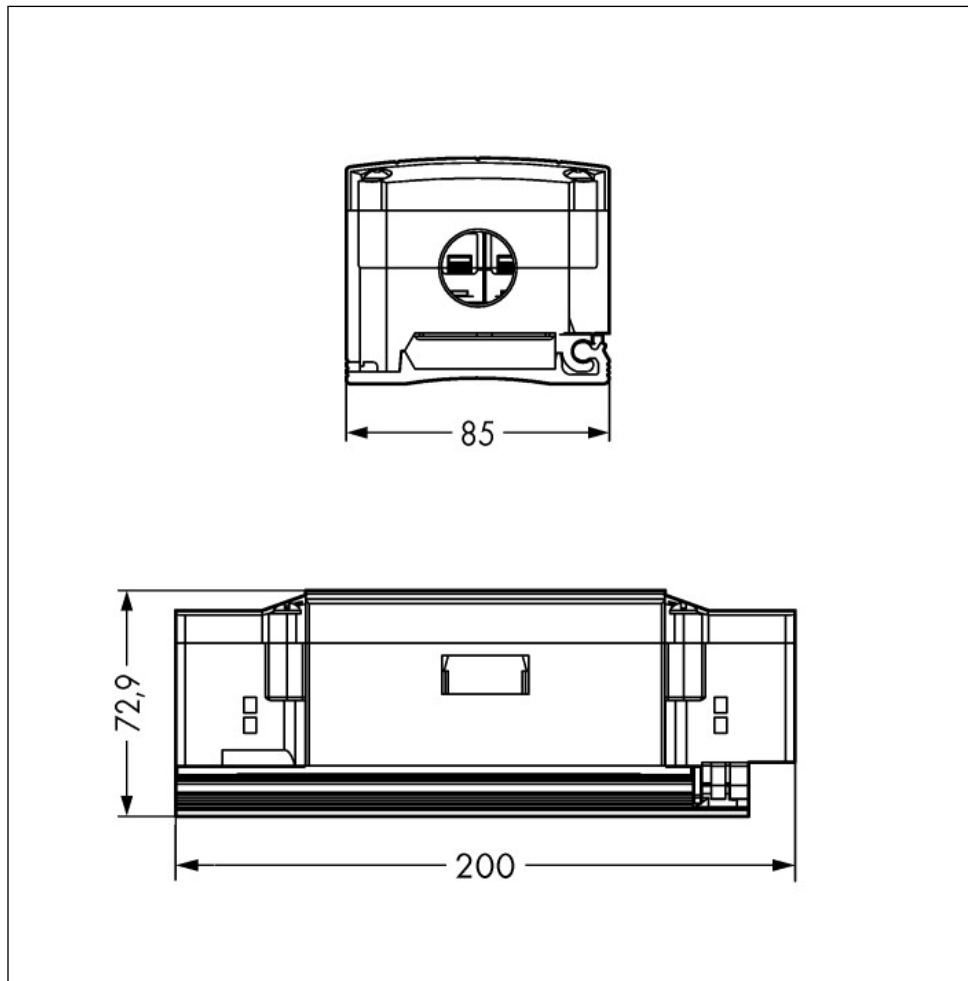
Technical data	
<i>Color</i>	<i>black</i>
<i>Rated voltage (III / 3) [V]</i>	<i>690 [V]</i>
<i>Rated impulse voltage (III / 3) [kV]</i>	<i>8 [kV]</i>
<i>Pollution degree (1)</i>	<i>3</i>
<i>Rated current [A]</i>	<i>41 [A]</i>
<i>Legend for ratings</i>	<i>(III / 3) Overvoltage category III /</i>
<i>Pull-in time</i>	<i>0.0</i>
<i>Connection technology</i>	<i>Screw clamp connection</i>
<i>Actuation type</i>	<i>Operating tool</i>
<i>Connection technology 2</i>	<i>IDC connection</i>
<i>Mating force of a plug-in connection</i>	<i>approx. 30–70N (depending on number of poles)</i>
<i>Unmating force of a plug-in connection</i>	<i>when unlocked: approx. 15–20N</i>
<i>Insulating material</i>	<i>Polyamide 66 (PA 66)</i>
<i>Flammability class per UL94</i>	<i>V0</i>
<i>Contact material</i>	<i>Copper or copper alloy, surface-treated</i>
<i>Fire load [MJ]</i>	<i>10.692 [MJ]</i>
<i>Weight [g]</i>	<i>750.7 [g]</i>
<i>Width</i>	<i>85 mm / 3.346 Inch</i>
<i>Height</i>	<i>73 mm / 2.874 Inch</i>
<i>Depth</i>	<i>200 mm / 7.874 Inch</i>

Printview: Tap-off module; tightening torque 0.7 nm; with screw-type connection; for flat cable 5 x 16 mm; tightening torque 2 nm; phillips no. 2 screwdriver - Item No.: 895-1652

Images & drawings



Printview: Tap-off module; tightening torque 0.7 nm; with screw-type connection; for flat cable 5 x 16 mm; tightening torque 2 nm; phillips no. 2 screwdriver - Item No.: 895-1652



Address

WAGO Kontakttechnik GmbH & Co. KG

Hansastr. 27

32423 Minden

Telefon: 0571/887-0

Fax: 0571/887-169

<http://www.wago.com>

© WAGO Kontakttechnik GmbH & Co. KG

Technische Änderungen und Irrtümer vorbehalten.