
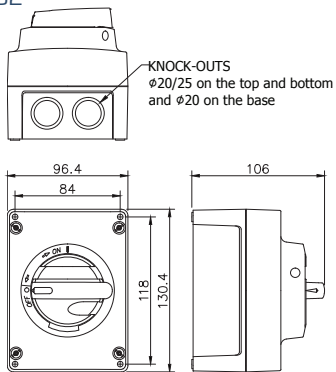


## POLYCARBONATE ENCLOSED SAFETY SWITCHES 10-630 A

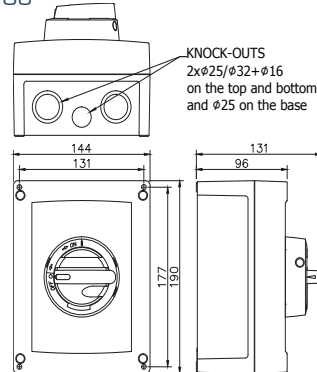


- IP 66; Enclosure types U2, U3, U4
- IP 65; Enclosure types MF01, MF03, MF04
- Self-extinguishing material
- Wide operating temperature range
- Padlockable 
- Excellent insulating properties
- Good UV resistance
- Good resistance against many chemicals

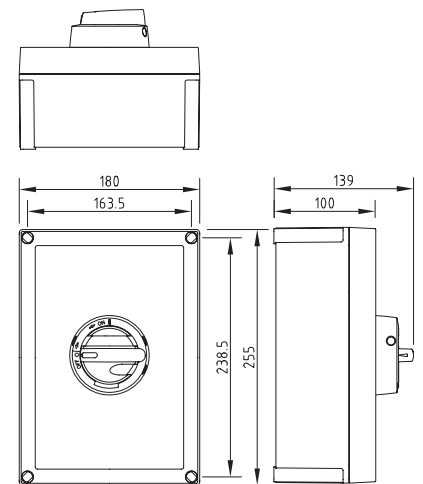
U2



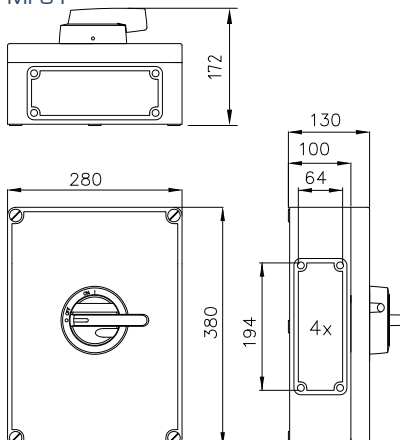
U3



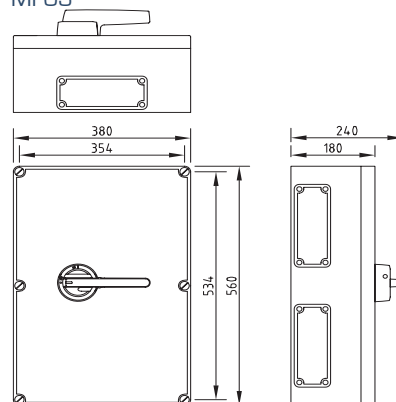
U4



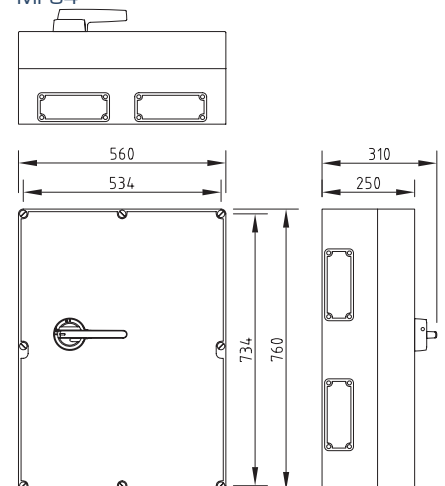
MF01



MF03



MF04



## POLYCARBONATE ENCLOSED SAFETY SWITCHES 10-630 A

Type	AC-23 / 400V	AC-23 / 690 V	Poles	Enclosure	EAN code 6419410...	E-NO	Weight kg		
KUM 310U	16 A / 5,5 kW	16 A / 11 kW	3P	U2	...301135	3600454	0,46		
KUM 116U	20 A / 7,5 kW	20 A / 15 kW	1P	U2	...301005	3600452	0,46		
KUM 316U			3P	U2	...301272	3600456	0,46		
KUM 316US			3P	U2	...301333	3603002	0,50		
KUM 416U			4P	U2	...301371	3600820	0,50		
TKM 616U			6P	U2	...348352	3600470	0,50		
TKM 616US			6P	U2	...345924	3600484	0,50		
KUM 616U			6P	U3	...399941	3600458	0,96		
KUM 325U			25 A / 11 kW	25 A / 22 kW	3P	U2	...301852	3600468	0,46
KUM 325US	3P	U2			...301890	3603003	0,50		
KUM 425U	4P	U2			...301937	3600821	0,50		
KUM 625U	6P	U3			...399958	3600471	0,96		
KUM 332U	32 A / 15 kW	25 A / 22 kW	3P	U3	...399910	3600477	0,75		
KUM 332US			3P	U3	...302897	3603005	0,80		
KUM 432U			4P	U3	...301968	3600822	0,80		
KUM 632U			6P	U3	...399965	3600479	1,00		
KUM 340U	50 A / 22 kW	32 A / 30 kW	3P	U3	...399927	3600481	0,75		
KUM 440U			4P	U3	...301975	3600823	0,80		
KUM 640U			6P	U3	...399972	3600483	1,00		
KUM 363U	63 A / 30 kW	40 A / 37 kW	3P	U3	...399934	3600473	0,75		
KUM 363US			3P	U3	...302859	3603004	0,80		
KUM 463U			4P	U3	...301982	3600824	0,80		
KUM 663U			6P	U4	...302804	3600475	1,25		
KUM 380U1.V	80 A / 45 kW	80 A / 55 kW	3P	U4	...360200	3600502	1,25		
KUM 680T1.V			6P	MF01	...365601	3600512	3,91		
KUM 3125VT1.V	125 A / 55 kW	125 A / 90 kW	3P	MF01	...360309	3600503	5,01		
KUM 6125T1.V			6P	MF03	...365809	3600523	7,40		
KUM 3200VT1.V	200 A / 110 kW	200 A / 160 kW	3P	MF03	...364000	3600612	7,77		
KUM 6200VT1.V			6P	MF04	...366608	3600639	12,55		
KUM 3200YVT1.V			3P	MF03	...364109	3600614	7,77		
KUM 6200YVT1.V			6P	MF04	...366806	3600640	12,55		
KUM 3200AVT1.V			3P	MF03	...364208	3600616	7,77		
KUM 6200AVT1.V			6P	MF04	...367001	3600641	12,55		
KUM 3250VT1.V			250 A / 132 kW	250 A / 250 kW	3P	MF03	...364604	3600622	7,77
KUM 6250VT1.V					6P	MF04	...367209	3600644	12,55
KUM 3250YVT1.V	3P	MF03			...364703	3600624	7,77		
KUM 6250YVT1.V	6P	MF04			...367407	3600645	12,55		
KUM 3250AVT1.V	3P	MF03			...364802	3600626	7,77		
KUM 6250AVT1.V	6P	MF04			...367605	3600646	12,55		
KUM 3400VT1.V	400 A / 200 kW	400 A / 355 kW	3P	MF04	...365205	3600630	11,41		
KUM 3630VT1.V	630 A / 355 kW	500 A / 500 kW	3P	MF04	...365403	3600632	11,86		

With auxiliary contact type: KUM \_\_\_U1.V  
[Aux.type KU1.V]

US-models 1NO with auxiliary contacts

Switch delivered with following cable glands:

Type	A	Cable glands	Cable size mm
KUM	16	M25	11-17
	25	M25	11-17
	32	M32	15-21
	40	M32	15-21
	63	M32L	18-25